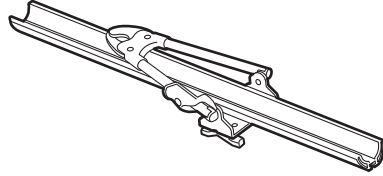
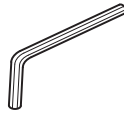


**PARTS LIST**

Bicycle attachment



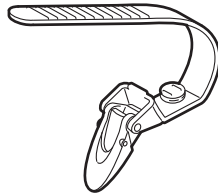
Hex wrench



2 Keys



2 Wheel straps



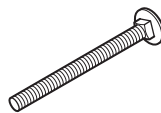
2 Tire adapters



2 End caps



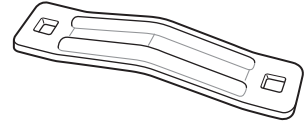
4 Bolts



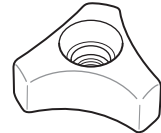
6 Washers



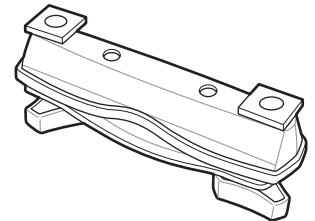
2 Brackets



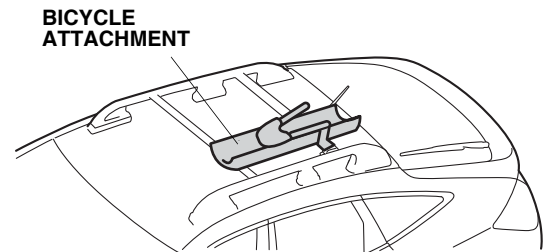
4 Thumbwheel Screws



1 Rear Bracket Assy



**Illustration of the Bicycle Attachment installed on the vehicle**



## INSTALLATION

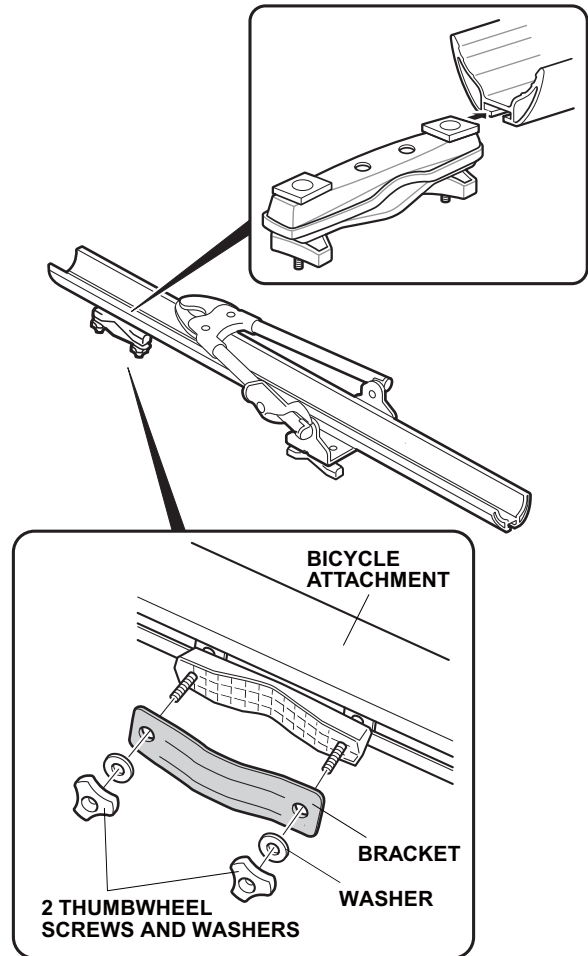
**Customer Information:** The information in this installation instruction is intended for use only by skilled technicians who have the proper tools, equipment, and training to correctly and safely add equipment to your vehicle. These procedures should not be attempted by “do-it-yourselfers.”

### NOTE:

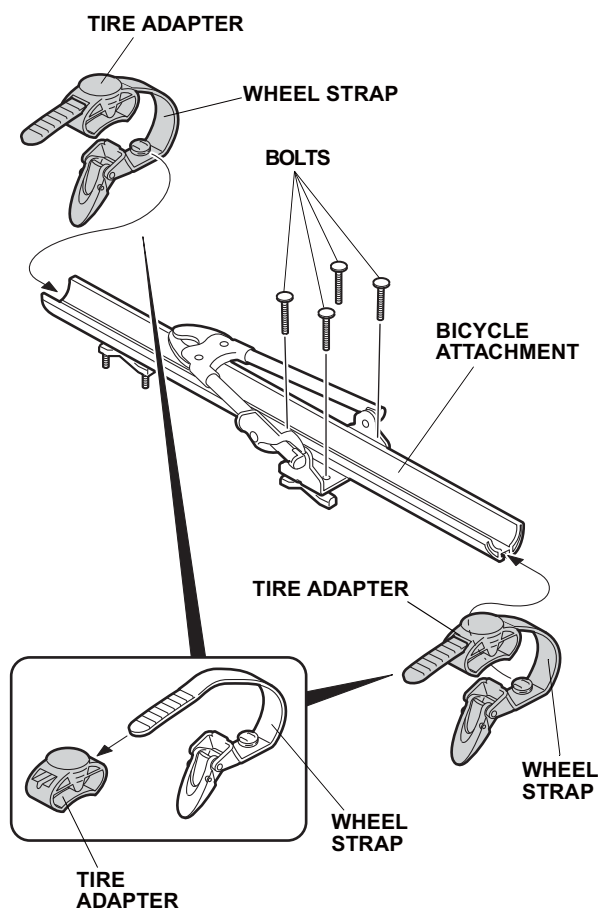
- This bicycle attachment is designed to be used exclusively with the crossbars, which are sold separately.
- Do not use non-Honda accessories, carriers or attachment sets with this bicycle attachment kit.
- Install the bicycle attachment after installing the crossbars on the roof rack.
- Do not damage the roof or other painted surfaces of the body when installing this bicycle attachment.
- If you are installing more than one bicycle attachment, you may need to alternate the mounting positions (front to rear) to allow for handlebar clearance.
- Make sure the tire adapters and the locking clamp lever are installed toward the outside of the vehicle. See the instruction sheet for details.

### Installing the Bicycle Attachment

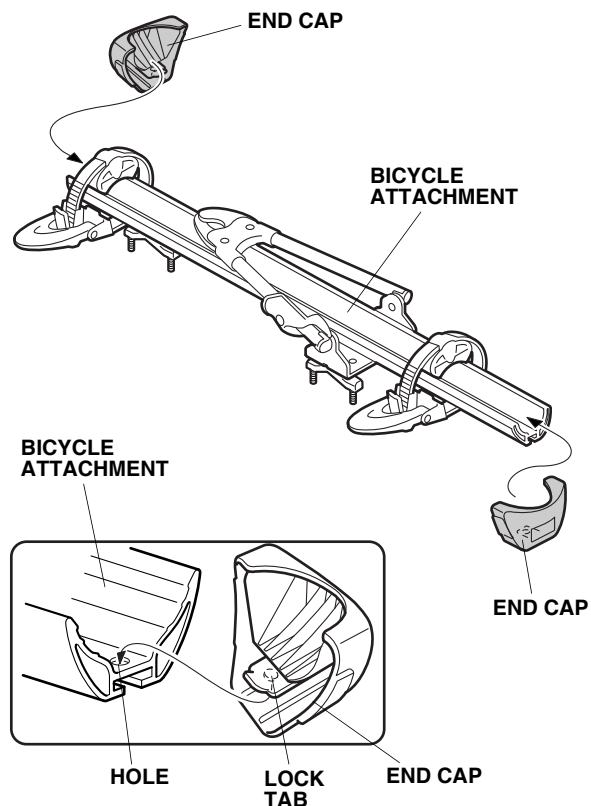
1. Remove the two thumbwheel screws and slide the bracket onto the bicycle attachment.



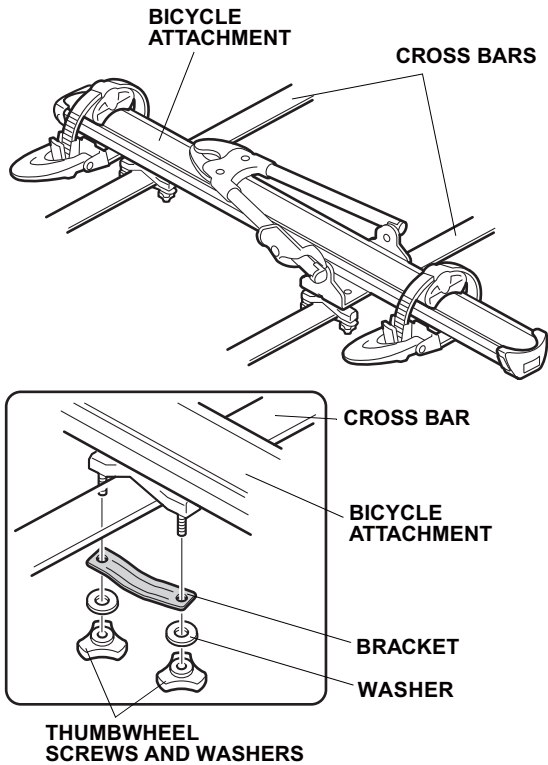
2. Insert the wheel strap into the tire adapter and slide the wheel strap onto the end of the bicycle attachment. Repeat the same procedure on the other end of the attachment. Make sure that both wheel strap buckles are facing the same way. Insert the 4 bolts into the front plate.



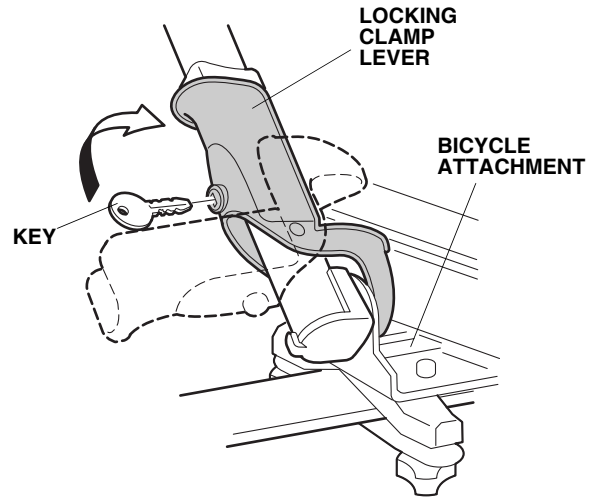
3. Install an end cap onto the bicycle attachment by aligning the lock tab on the end cap with the hole in the bicycle attachment. Push on the end cap until the lock tab “clicks” into place. Install an end cap on the other end of the attachment.



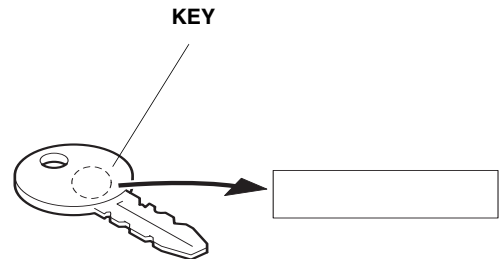
4. Install the bicycle attachment to the crossbars with two thumbwheel screws, two washers, and one bracket at each of the three mounting points.



5. Close the locking clamp lever. To deter theft of the bicycle attachment, lock the locking clamp lever with the key.



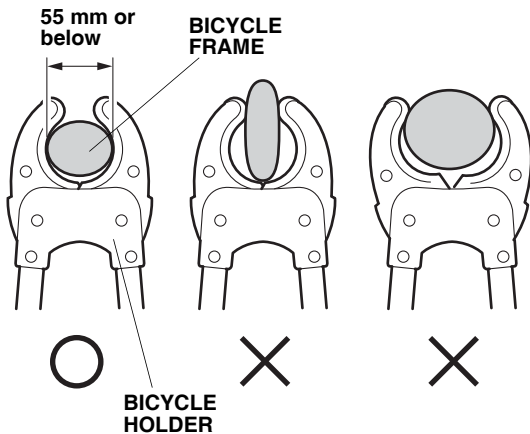
6. Write down the key number in case the key is lost or stolen.



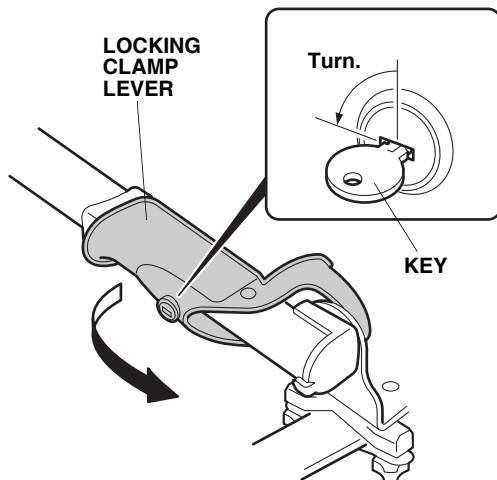
7. Store the key in the glove box for future use.

## How to Install the Bicycle on the Bicycle Attachment

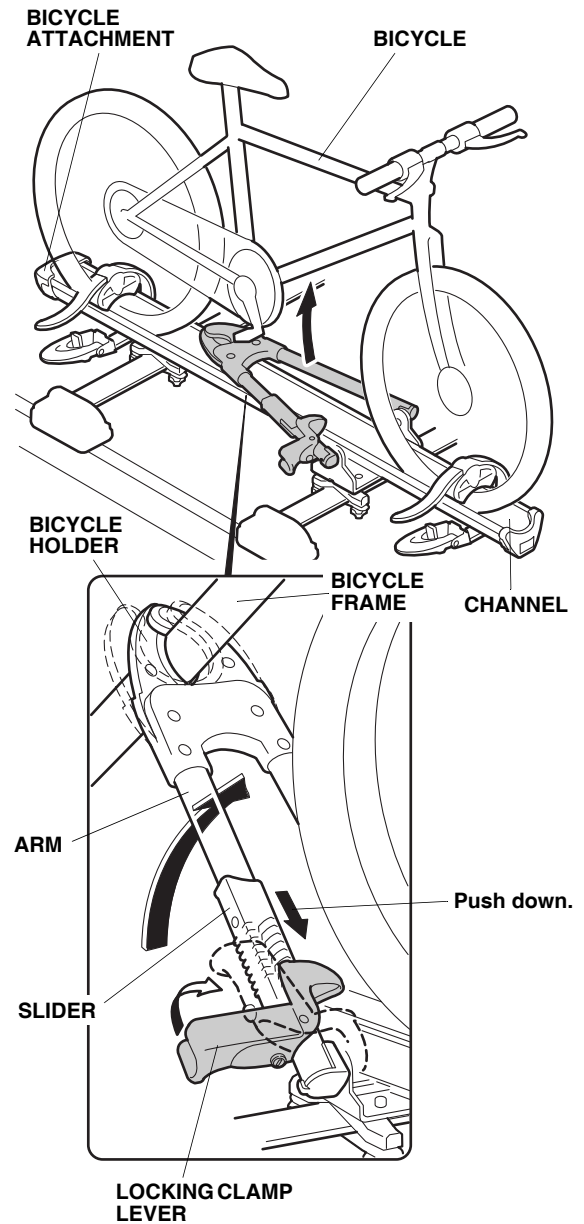
- Do not carry a bicycle with this bicycle attachment if the diameter of its frame exceeds 55 mm, or if its sectional view is not circular in the area where it is held by the bicycle holder.



- Release the locking clamp lever with the key and pull the locking clamp lever down.

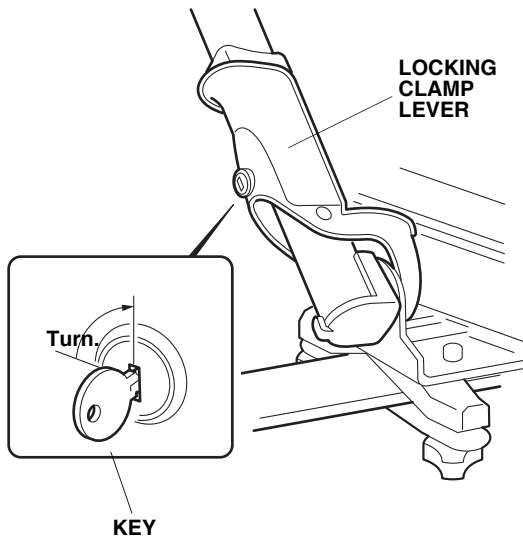


- Position the bicycle on the channel. Lift the arm up, position the bicycle holder around the frame, and push down the slider to clamp the frame in the holder.

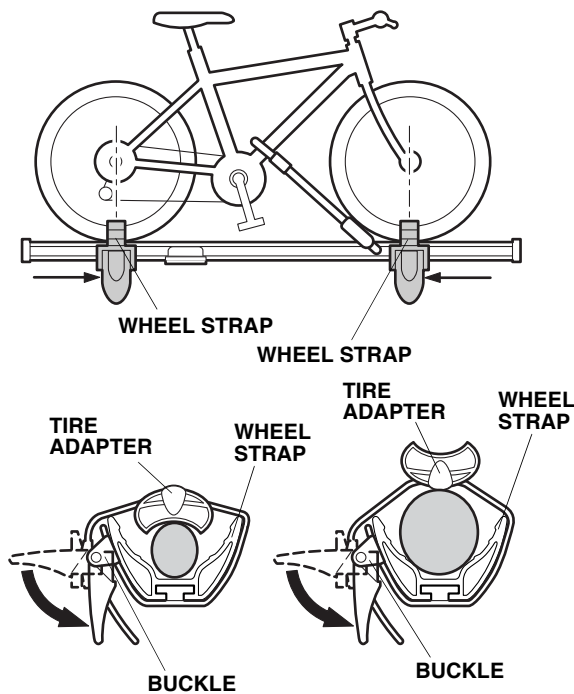


- Push up the locking clamp lever to secure the bicycle frame.

12. Lock the locking clamp lever by inserting the key into the key cylinder and turning it clockwise.



13. Position the wheel straps at the centers of the bicycle's wheels, then secure the wheels with the wheel straps by inserting the belts through the buckles and locking the buckles as shown. If the size of the bicycle tire is too big to be secured by the belts, reinstall the tire adapters upside down on the belts as shown. Make sure the buckles are locked securely.



## USE AND CARE

- Addition of the bicycle attachment on the vehicle raises the overall height of the vehicle. Pay attention to overhead obstacles when driving with the bicycle attachment.
- Before and after driving, or after loading the bicycle on the attachment, check the security of the attachment mounts and retighten them as necessary.
- Avoid sudden starts or stops with the attachment on the vehicle. It may cause bolts and other fasteners to loosen.
- Obey local laws and regulations.
- Before driving, check that the attachment is locked securely regardless of whether a bicycle is mounted on the attachment.
- Do not use this bicycle attachment on vehicles other than those specified.