

PARTS LIST

Cargo hook



Bolt



Small washer



Spring washer

Rivet nut
(Not used)

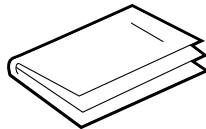
Nut



Large washer



Accessory User's Information Manual

**TOOLS REQUIRED**

Drill

10 mm Drill bit

10 mm Socket

Ratchet

Extension bar

Torque wrench

Eye protection (face shield, safety goggles, etc.)

Touchup paint

Drillstop

File

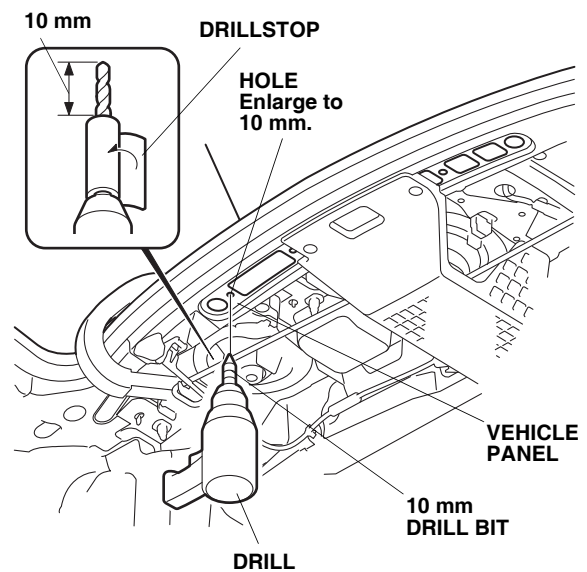
INSTALLATION

NOTE: An additional cargo hook (sold separately) can be installed on vehicles without a CD changer or bass speaker system.

4-door vehicles: Go to step 5.

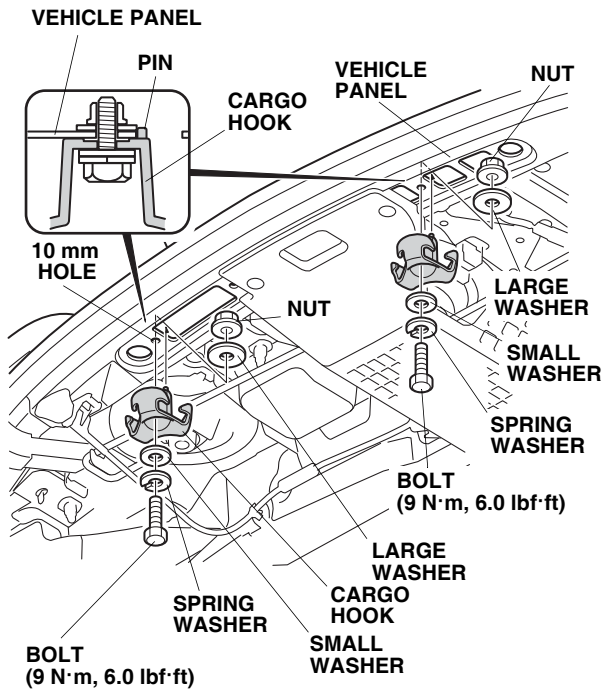
2-Door vehicles

1. Open the trunk lid. Wearing eye protection, drill the vehicle panel to enlarge the existing hole as shown. Wrap a drillstop around the drill bit at 10 mm from the tip of the bit.



2. Remove any burrs from the edge of the drilled hole.
3. Apply touch-up paint to the edge of the hole, then let the paint dry thoroughly.

4. Install the cargo hook as shown. Torque the bolt to 9 N·m (0.9 kgf·m, 6.0 lbf·ft).
If the vehicle has a CD changer and/or bass speaker system, install the cargo hook on the left side only.



4-Door vehicles

5. Open the trunk lid. Install the cargo hook as shown. Torque the bolt to 9 N·m (6.0 lbf·ft).
 - With CD changer: Install the cargo hook on the left side only.
 - With bass speaker system: Install the cargo hook on the right side only.

