



# INSTALLATION INSTRUCTIONS

Accessory

EXHAUST PIPE TRIM  
P/N 08F53-SNA-100

Application

2011 CIVIC  
HYBRID

Publications No.

All 44446

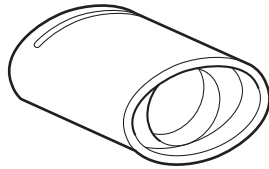
Issue Date

AUG 2010

Put this information in the glove box with the vehicle owner's manual.

## PARTS LIST

Exhaust pipe trim



Flange bolt



## TOOLS REQUIRED

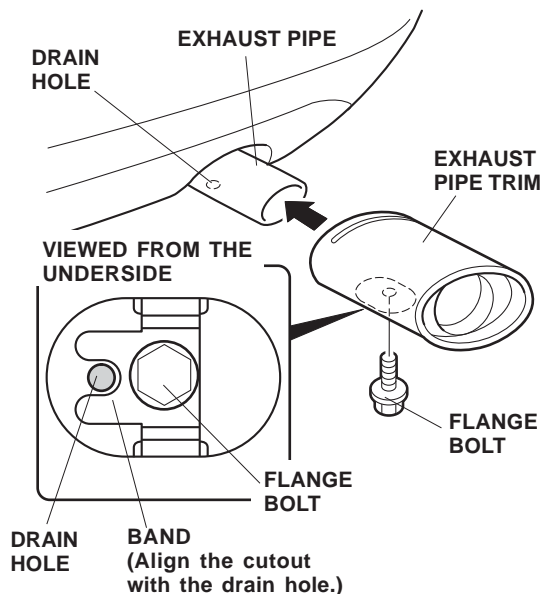
10 mm Socket

Torque wrench

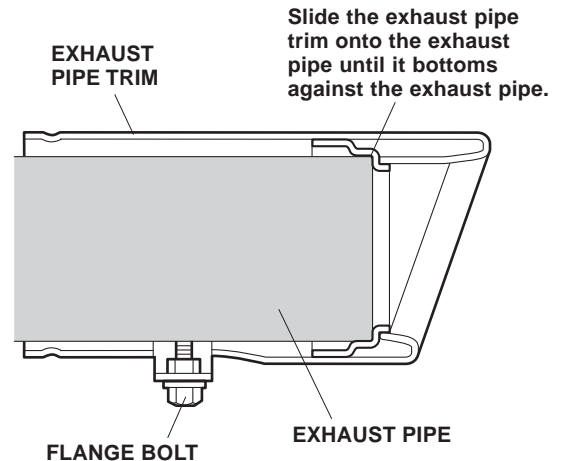
## INSTALLATION

NOTE: Allow the exhaust pipe to cool down before you install the exhaust pipe trim.

1. Slide the exhaust pipe trim onto the exhaust pipe with the bolt hole facing down. Loosely thread the flange bolt into the exhaust pipe trim. Align the cutout in the exhaust pipe trim band with the drain hole in the exhaust pipe.



2. Slide the exhaust pipe trim onto the exhaust pipe until it bottoms against the exhaust pipe.



3. Torque the flange bolt to 10 N·m ( 7 lb-ft.)
  - Torque the flange bolt while pushing the exhaust pipe trim firmly against the exhaust pipe.
  - Do not overtighten the flange bolt or you may damage the exhaust pipe.
4. Start the engine, and rev it a few times. Listen for vibration from the exhaust pipe trim, and adjust if necessary.