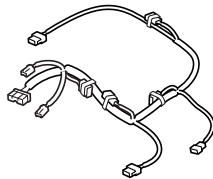


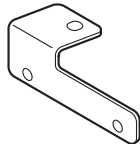
**PARTS LIST**

**Bass Speaker System Attachment Kit (sold separately):  
P/N 08B54-SVA-100**

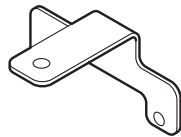
Bass speaker system wire harness



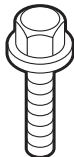
Right bracket



Left bracket



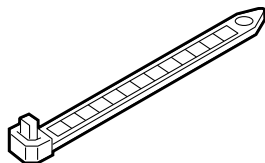
2 Washer-bolts



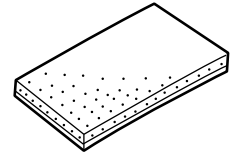
2 Clip nuts



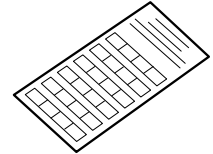
10 Wire ties



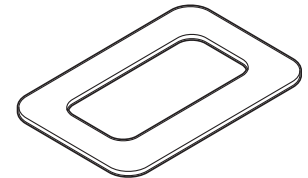
3 EPT sealers



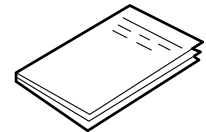
Fuse seal



Oval cushion

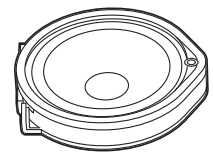


Accessory User's Information manual

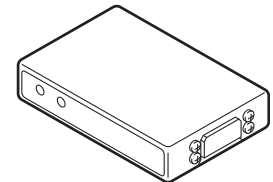


**Bass Speaker System Kit (sold separately):  
P/N 08A54-SNA-100**

2 Bass speakers



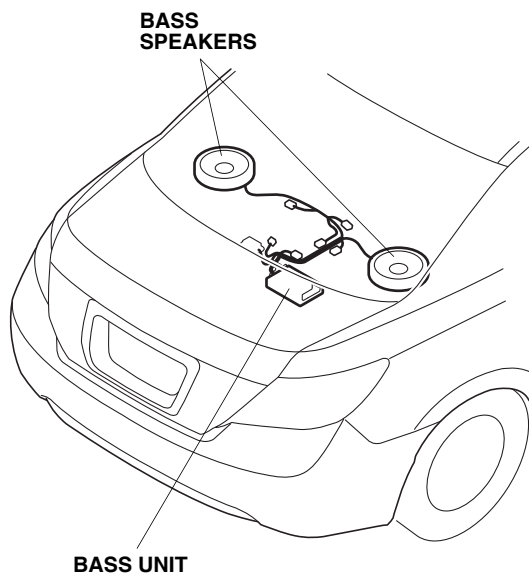
Bass unit



## TOOLS AND SUPPLIES REQUIRED

Phillips screwdriver  
Flat-tip screwdriver  
10 mm Wrench  
10 mm Socket  
Ratchet  
Diagonal cutters  
Shop towel  
Isopropyl alcohol  
Plastic Trim Tool (T/N SILTRIMTL10)

### *Illustration of the Bass Speaker System Installed in the Vehicle*

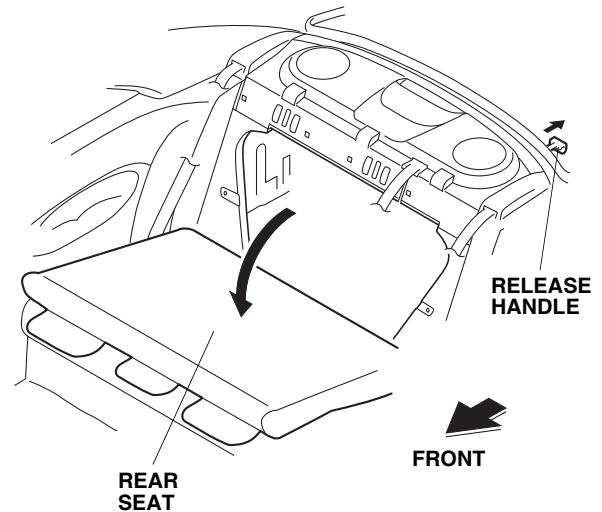


## INSTALLATION

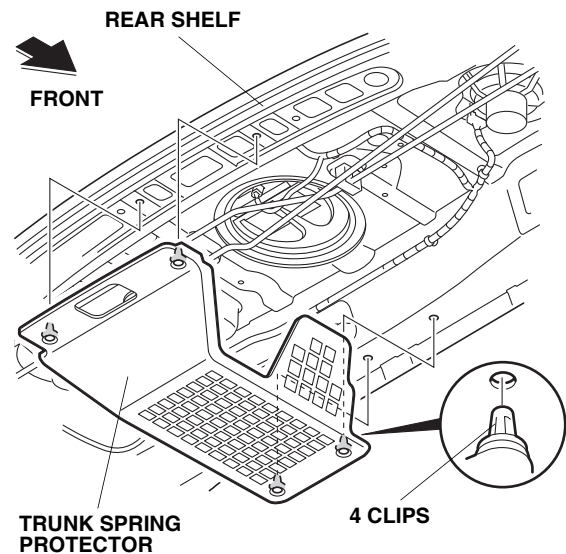
**Customer Information:** The information in this installation instruction is intended for use only by skilled technicians who have the proper tools, equipment, and training to correctly and safely add equipment to your vehicle. These procedures should not be attempted by "do-it-yourselfers."

1. Make sure you have the anti-theft codes for the audio unit, then write down the audio presets.
2. Disconnect the negative cable from the battery.

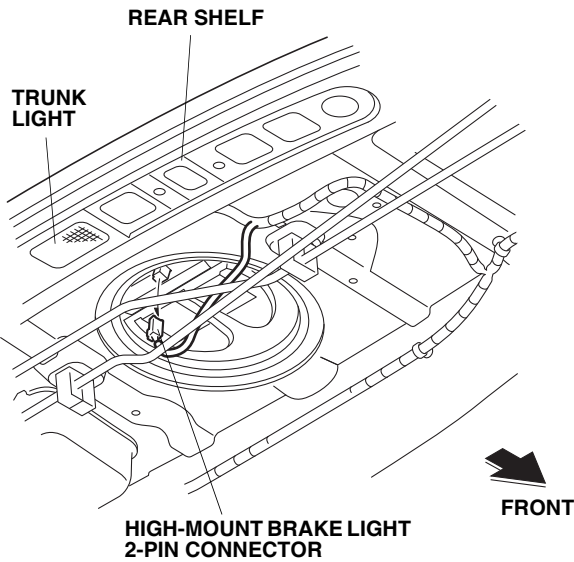
3. Open the trunk lid. Pull the release handle on the bottom of the rear shelf to tilt the rear seat to the front.



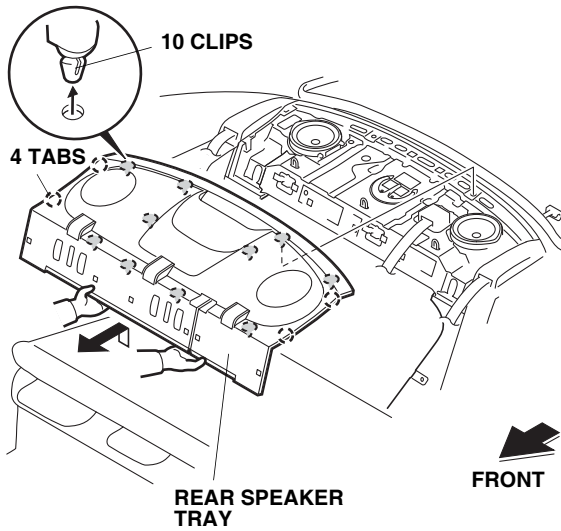
4. Remove the trunk spring protector (four clips).



- In the trunk, unplug the vehicle 2-pin connector from the high-mount brake light.

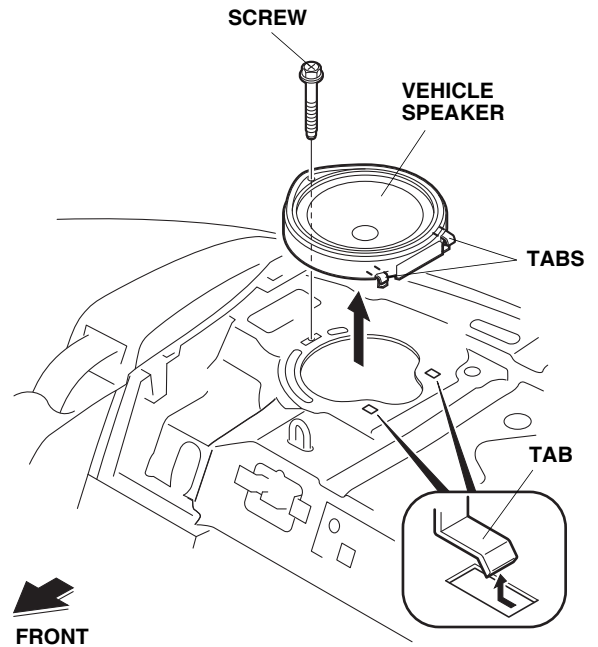


- Remove the rear speaker tray (10 clips and four tabs) while lightly pulling up the end of the rear speaker tray as shown. Remove any clips left on the vehicle panel and attach them to the rear speaker tray.

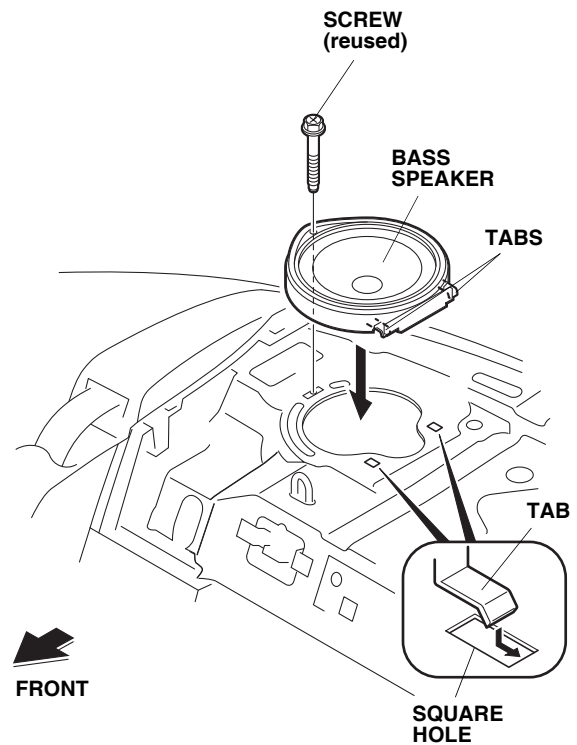


## Installing the Bass Speakers

- Remove the right and left vehicle speakers (two tabs and one screw for each speaker).

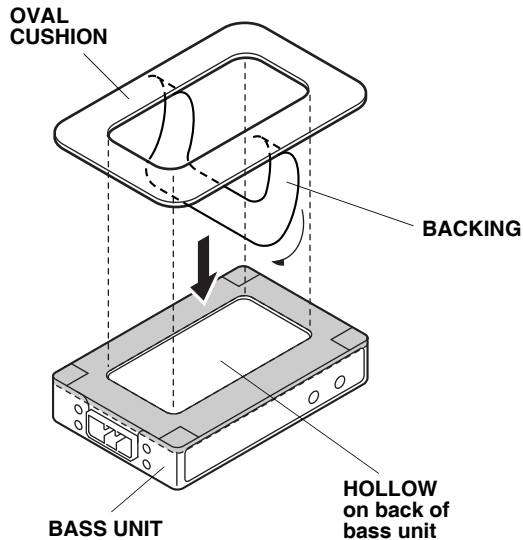


- Install the right and left bass speakers using the screws removed in step 7.

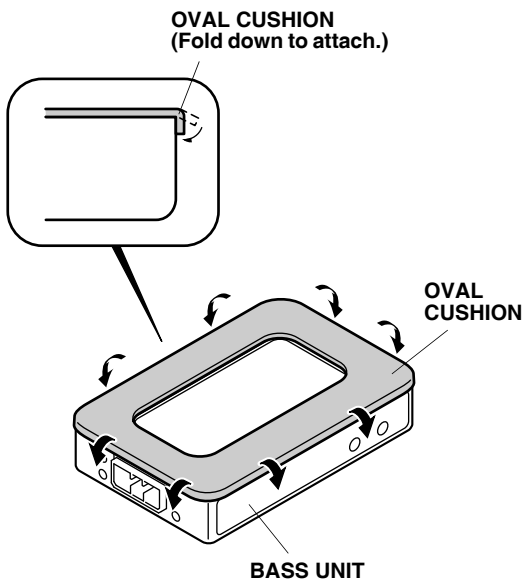


## Installing the Bass Unit

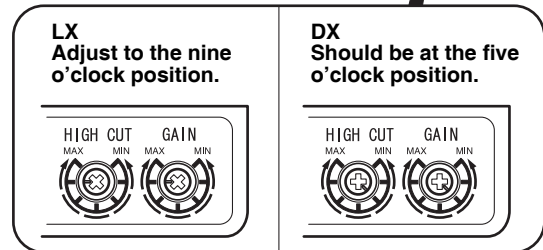
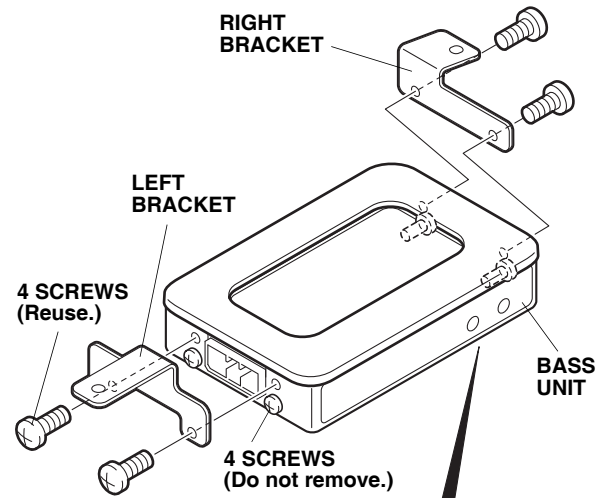
- Clean the back of the bass unit with isopropyl alcohol on a shop towel. Be sure to clean the outer edge on the back of the bass unit as well.



- Align the inner circle of the oval cushion with the edge of the hollow on the back of the bass unit, then attach the oval cushion to the bass unit.
- Fold the excess oval cushion down around the bass unit.



- Remove the four screws from the bass unit, and secure the right and left brackets to the bass unit with the four screws.

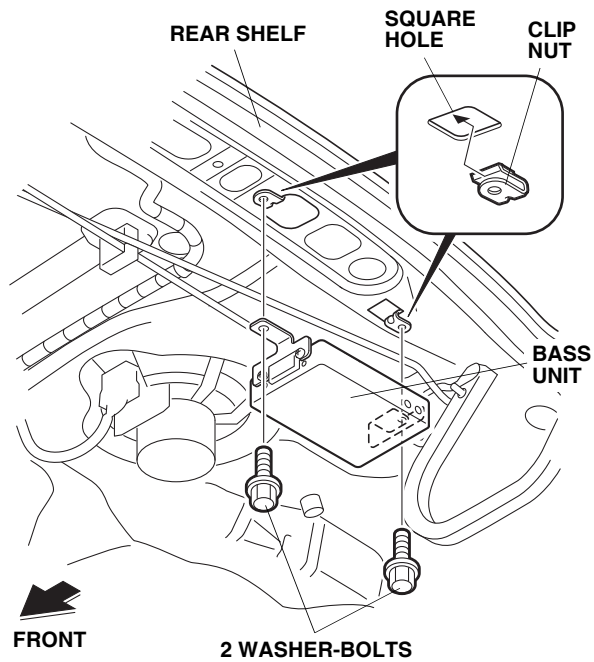


"HIGH CUT" AND "GAIN" ADJUSTMENTS

- DX Models:**  
Confirm that the HIGH CUT and GAIN adjustments on the bass unit are at the five o'clock position.

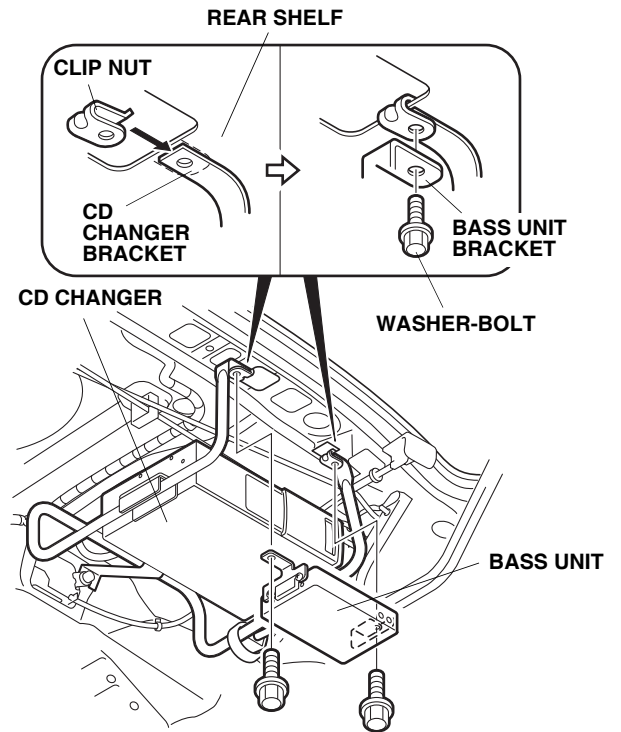
**LX Models:**  
Adjust the HIGH CUT and GAIN adjustments on the bass unit to the nine o'clock position.

14. Slide the two clip nuts into the square holes in the rear shelf.



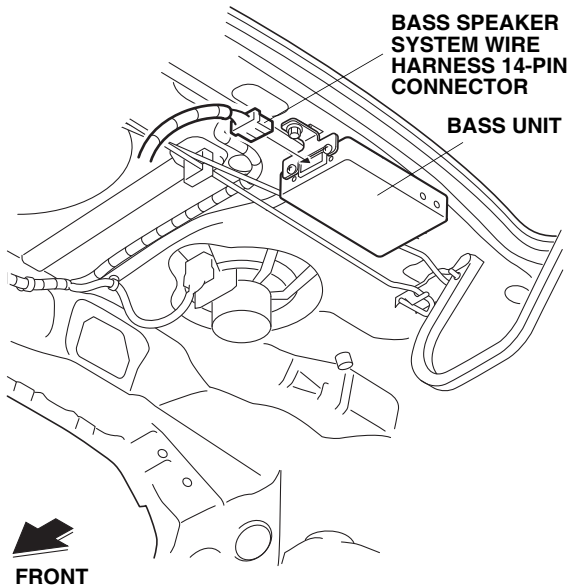
15. Mount the bass unit to the rear shelf with two washer-bolts.

NOTE: If there is an accessory CD changer, secure the bass unit to the rear shelf with two washer-bolts and two clip nuts as shown.

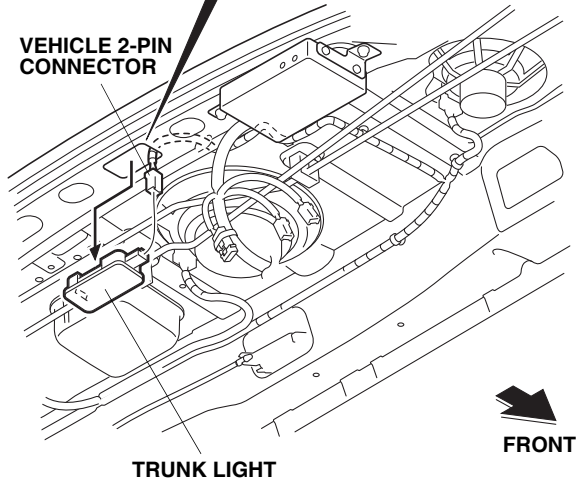
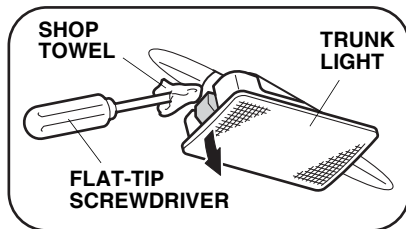


## Routing the Bass Speaker System Wire Harness

16. Reinstall the rear speaker tray removed in step 6.

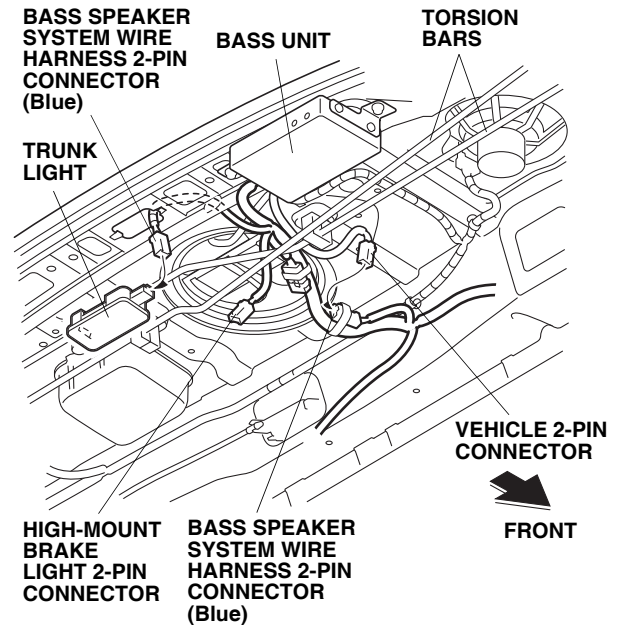


17. Plug the bass speaker system wire harness 14-pin connector into the bass unit.  
 18. Using a flat-tip screwdriver wrapped in a shop towel, remove the trunk light (two tabs).

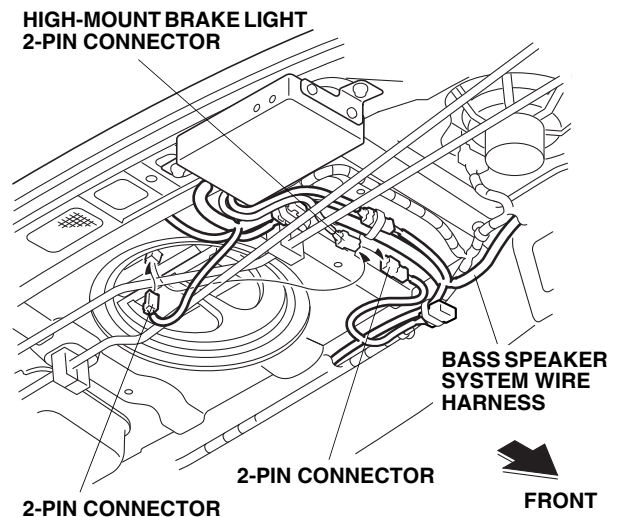


19. Unplug the vehicle 2-pin connector from the light.

20. Route the bass speaker system wire harness over the torsion bars.

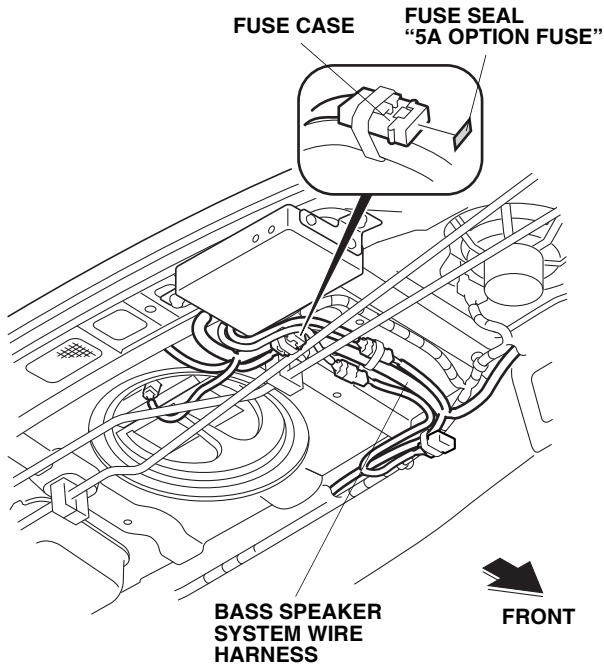


21. Plug the bass speaker system wire harness 2-pin connector (blue) into the trunk light, then plug the vehicle 2-pin connector into the bass speaker system wire harness 2-pin connector (blue) taped to the harness.  
 22. Plug the bass speaker system wire harness 2-pin connector into the high-mount brake light.

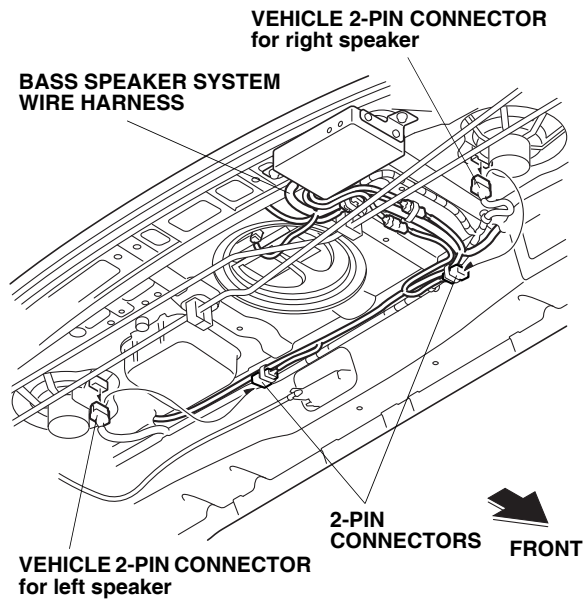


23. Route the high-mount brake light 2-pin connector over the torsion bars, then plug it into the 2-pin connector taped to the bass speaker system wire harness.

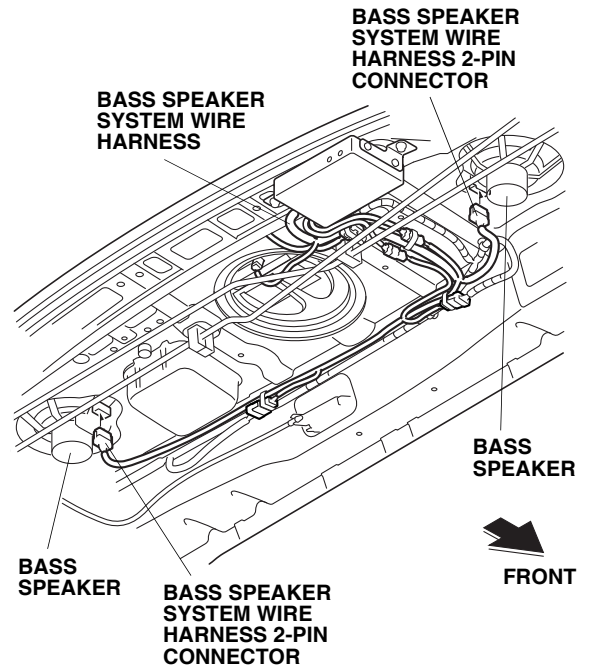
24. Attach the fuse seal "5A OPTION FUSE" to the fuse case taped to the bass speaker system wire harness.



25. Unplug the vehicle 2-pin connectors from the vehicle right and left speakers, then plug them into the 2-pin connectors taped to the long branch of the bass speaker system wire harness.



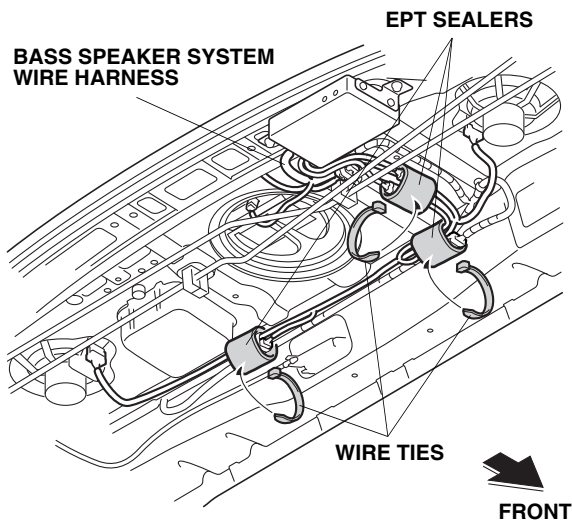
26. Plug the bass speaker system wire harness 2-pin connectors into the right and left bass speakers.



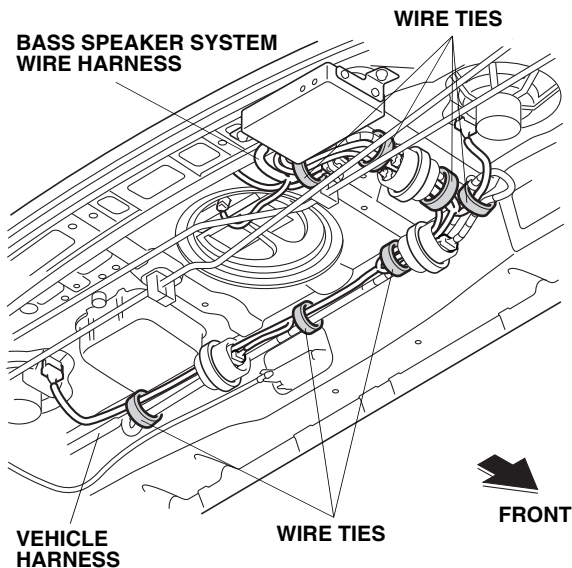


## Securing the Bass Speaker System Wire Harness

27. Wrap one EPT sealer around the three connector joints in the areas shown, then secure them with three wire ties.



28. Using seven wire ties, secure the bass speaker system wire harness to the vehicle harness in the areas shown. Make sure that the bass speaker system wire harness does not interfere with the torsion bars during the closing and opening of the trunk lid.



29. Check that all wire harnesses are routed properly and all connectors are plugged in.
30. Reinstall all removed parts.
31. Connect the negative cable to the battery and check operation of all lights and other electrical accessories.
32. Enter the anti-theft codes for the audio system, and reset the radio station presets.
33. Reset the clock.
34. Set all the volume control adjustments on the vehicle audio unit, such as BASS, TREBLE, FADER, and BALANCE, to the center position.