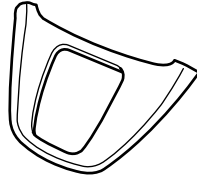
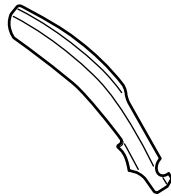


**PARTS LIST****Interior Panel Kit A  
(Vehicle without Seat Heater Switches)**

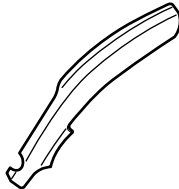
Shifter panel



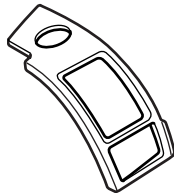
Center panel (Left)



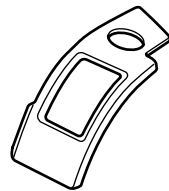
Center panel (Right)



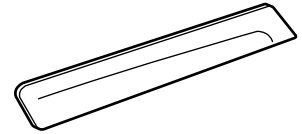
Outlet panel (Left)



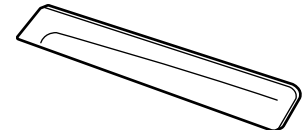
Outlet panel (Right)



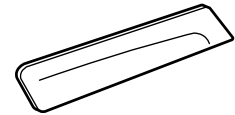
Front door panel trim (Left)



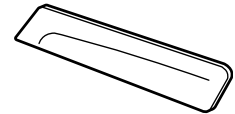
Front door panel trim (Right)



Rear door panel trim (Left)



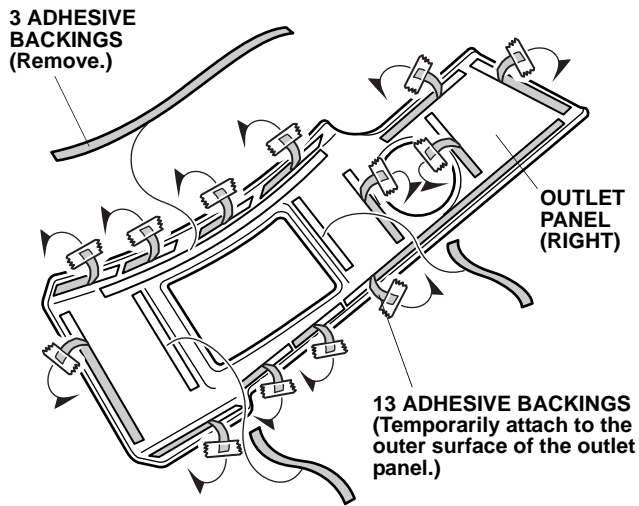
Rear door panel trim (Right)

**TOOLS AND SUPPLIES REQUIRED**Masking tape  
Shop towel  
Isopropyl alcohol**BEFORE YOU BEGIN****NOTE:**

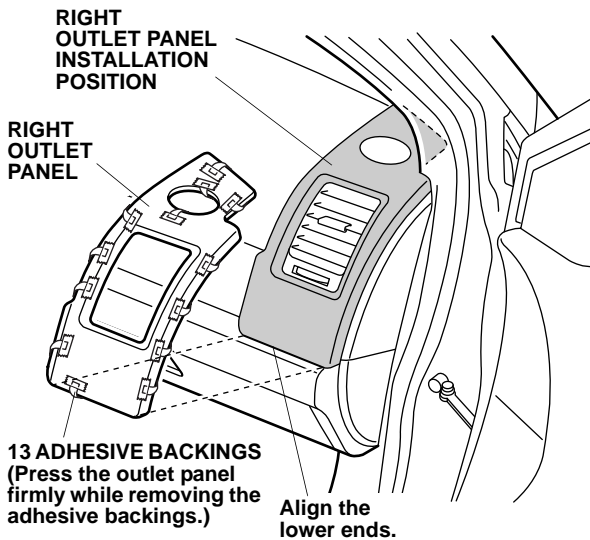
- Be careful not to damage the body paint finish.
- This interior trim kit should be installed only if the ambient air temperature is 60°F (15°C) or above.

## INSTALLATION

1. Using isopropyl alcohol on a shop towel, thoroughly clean the areas where the interior trim will attach.
2. Attach a strip of masking tape to the end of each of the adhesive backings on the inner side of the outlet panel (right). Peel back the adhesive backings partway and temporarily attach them to the outer surface of the right outlet panel as shown.
3. Remove and discard the three remaining adhesive backings as shown.

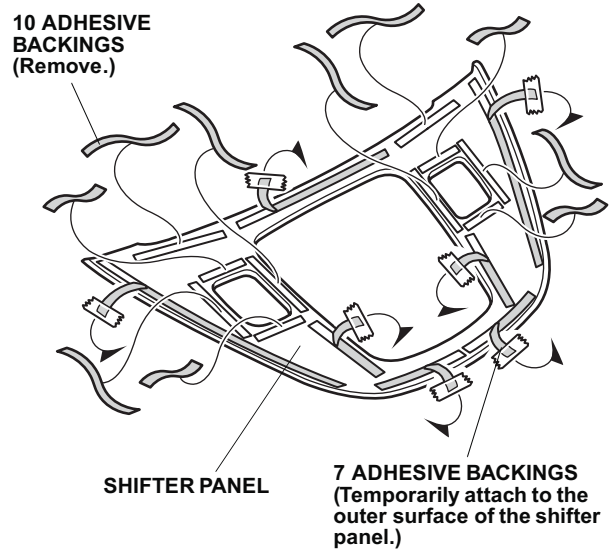


4. Position the right outlet panel in position; align the lower end with the lower end of the existing right-side dash outlet panel. Press the right outlet panel firmly while removing the adhesive backings that you temporarily attached to the outer surface of the outlet panel. Remove the upper adhesive backings first, then the lower ones. Press the right outlet panel firmly, especially at the edges of the panel.

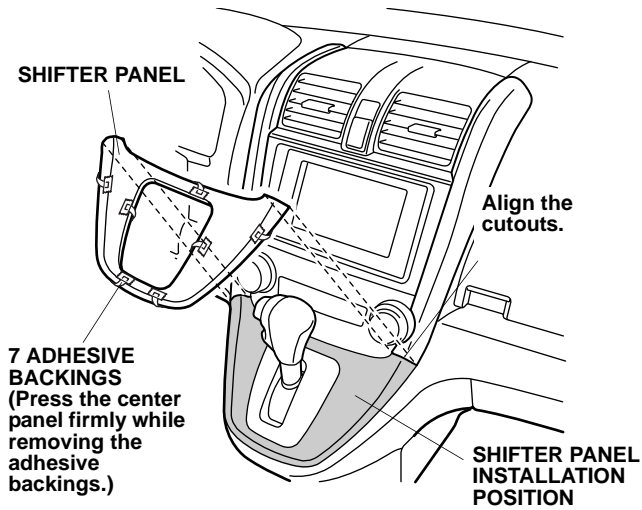


5. Repeat steps 2 thru 4 to install the left outlet panel.

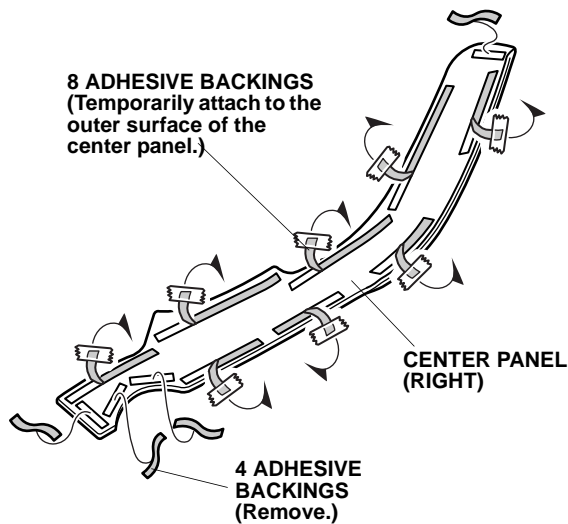
6. Attach a strip of masking tape to the end of each of the adhesive backings on the inner side of the shifter panel. Peel back the adhesive backings partway and temporarily attach them to the outer surface of the shifter panel as shown.
7. Remove the 10 remaining adhesive backings as shown.



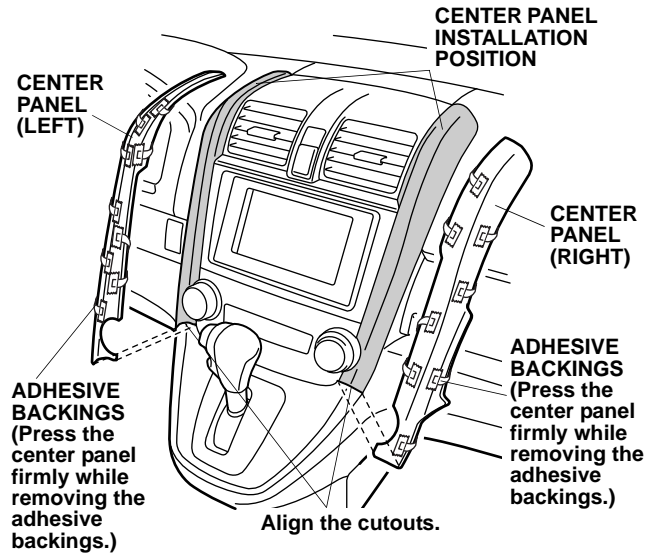
- Position the shifter panel; align the cutout with the cutout on the existing shifter panel. Press the shifter panel firmly while removing the adhesive backings that you temporarily attached to the outer surface of the shifter panel. Remove the upper adhesive backings first, then the lower adhesive backings. Press the center panel firmly, especially at the edges of the panel.



- Attach a strip of masking tape to the end of each of the right and left adhesive backings on the inner side of the center panel. Peel back the adhesive backings partway and temporarily attach them to the outer surface of the right and left center panel.
- Remove and discard the four remaining adhesive backings as shown.

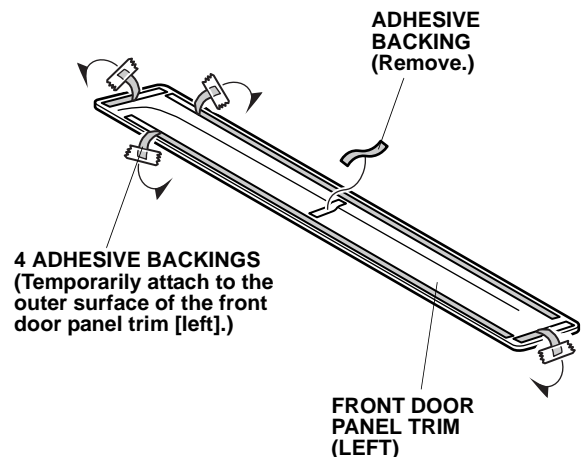


- Position the right center panel and left center panel in their respective positions; align the cutouts with the cutouts of the existing center panels. Press the center panels firmly while removing the adhesive backings that you temporarily attached to the outer surface of the center panel. Remove the lower adhesive backings first, then the upper adhesive backings. Press the right and left center panels firmly, especially at the edges of the panels.

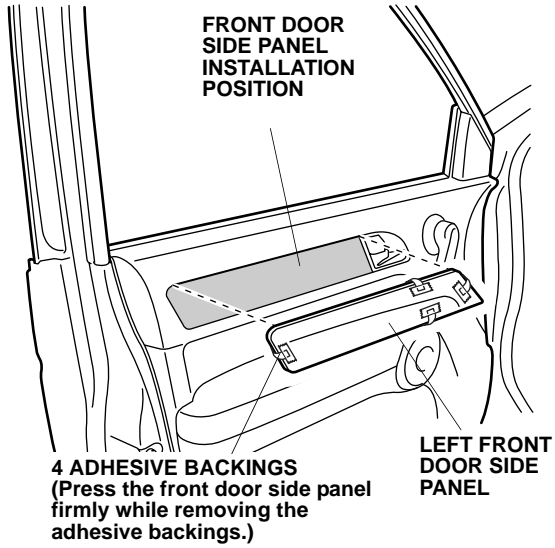


### Door Side Panel

- Attach a strip of masking tape to the end of each of the adhesive backings on the inner side of the left front door panel trim. Peel back the adhesive backings partway and temporarily attach them to the outer surface of the left front door panel trim.
- Remove and discard the remaining adhesive backing as shown.



14. Position the left front door panel trim on the existing left front door panel and press it firmly while removing the adhesive backings that you temporarily attached to the surface side. Press the front door panel trim firmly, especially at the edges of the panel.



15. Repeat steps 12 thru 14 to install the trim on the other three doors.