



INSTALLATION INSTRUCTIONS

Accessory
BODY SIDE MOLDING
P/N 08P05-TA0-100

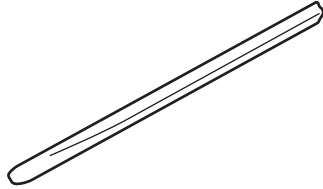
Application
2011 ACCORD
4-DOOR

Publications No.
All 44019

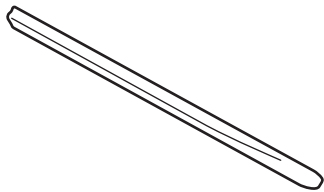
Issue Date
AUG 2010

PARTS LIST

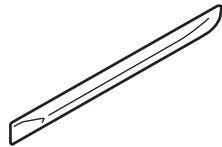
Left front body side molding



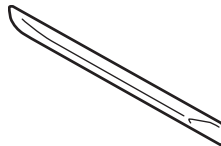
Right front body side molding



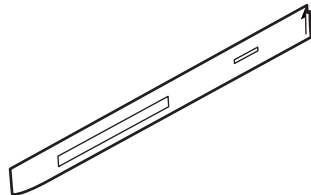
Left rear body side molding



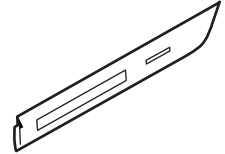
Right rear body side molding



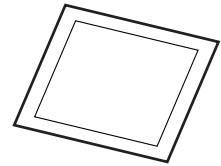
Front template



Rear template



4 Alcohol swabs



TOOLS AND SUPPLIES REQUIRED

Shop towel

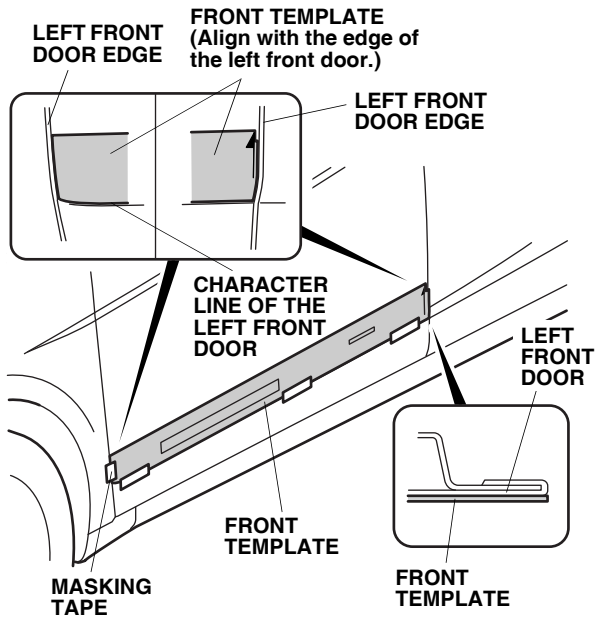
Masking tape

Rubber roller (T/N: MHLE54D)

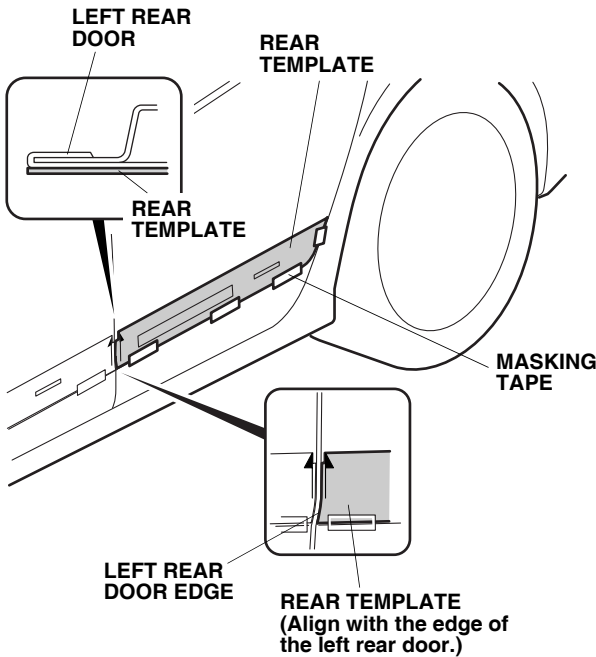
INSTALLATION

- Be careful not to damage the body paint finish.
- This body side molding kit should be installed only if the ambient air temperature is 60° F (15°C) or above.
- To allow the adhesive to cure, do not wash the vehicle for 24 hours.
- These instructions are for the left side of the vehicle. The same procedure applies to the right side of the vehicle.
- If you are also installing door edge guards (sold separately), install them before you install the body side moldings.

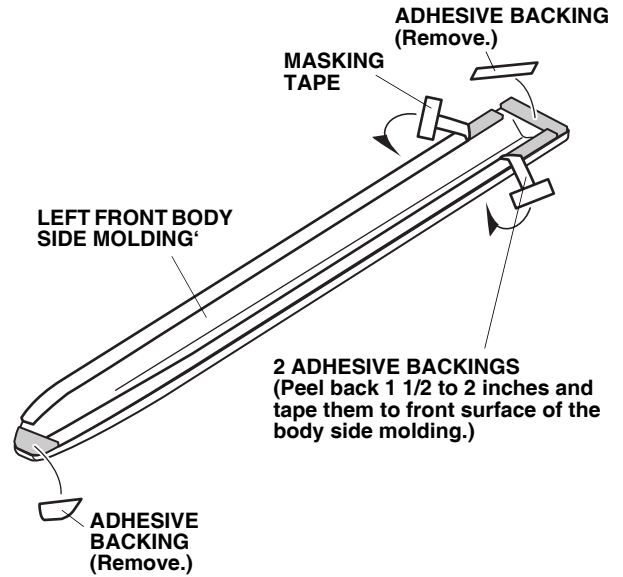
1. Position the front template by aligning it with the edge of the left front door and the character line of the left front door. Secure the template with masking tape as shown.



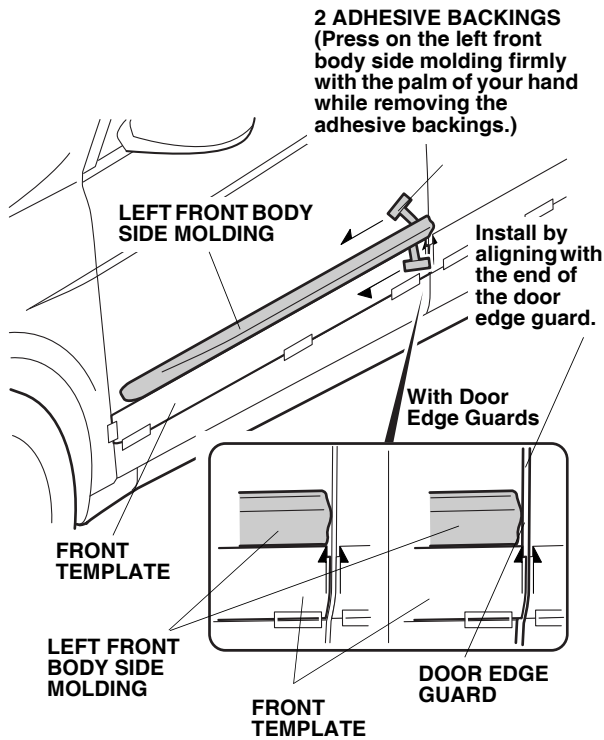
2. Position the rear template by aligning it with the edge of the left rear door. Secure the rear template with masking tape as shown.



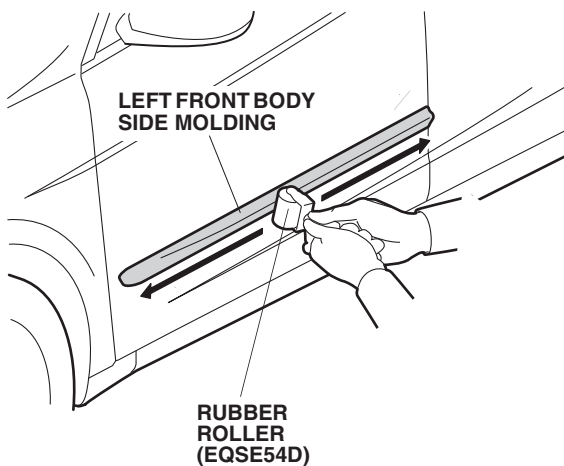
3. Clean the surface where the left body side molding will attach using the alcohol swab. Allow the alcohol to dry.
4. Peel back approximately 1 1/2 to 2 inches of adhesive backing from each adhesive tape, and tape the ends to the front surface of the body side molding. Remove the small end pieces of the adhesive backing.



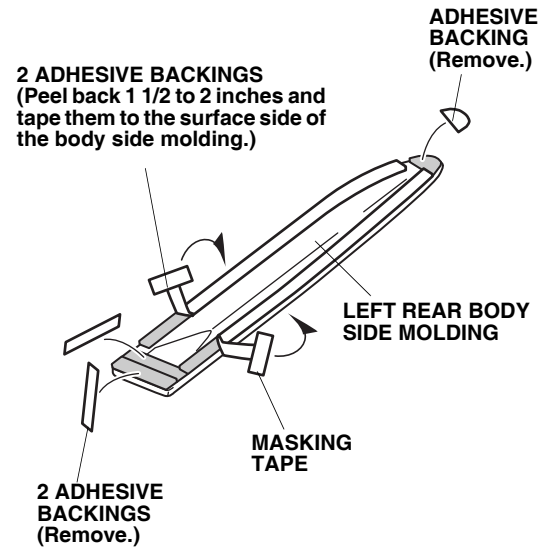
- Align the end of the left front body side molding with the front template as shown and attach it at the front and back.



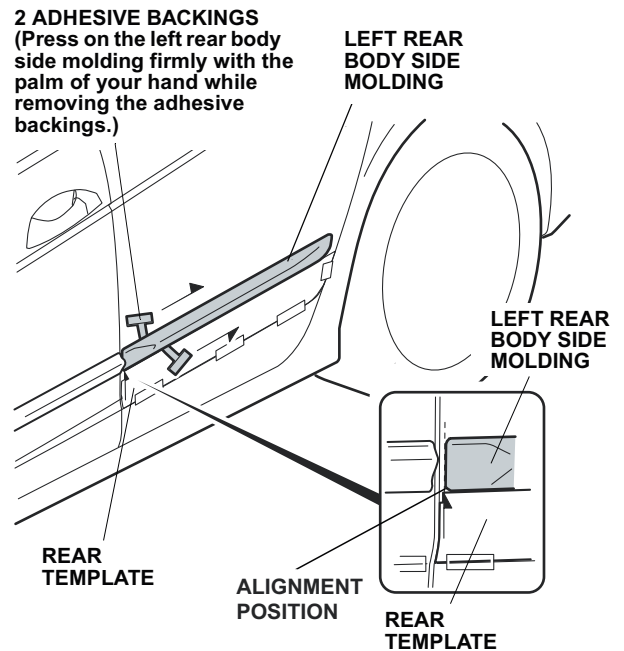
- Press on the left front body side molding firmly with the palm of your hand while removing the adhesive backings. Remove about 2 to 4 inches at a time while pressing on the molding with the palm of your hand.
- Remove the front template.
- Using a rubber roller, apply firm pressure to set the adhesive.



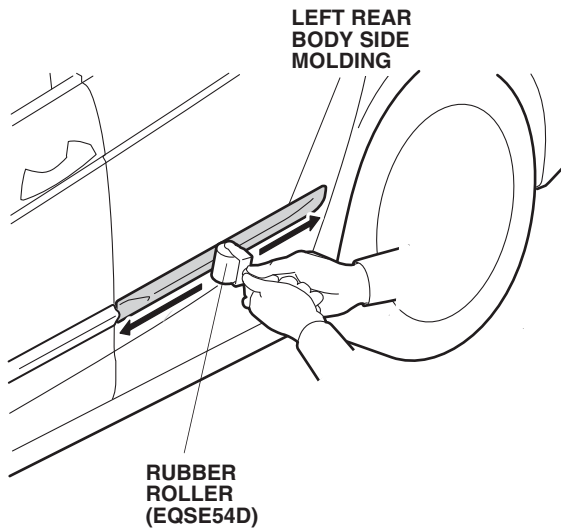
- Peel back approximately 1 1/2 to 2 inches of the adhesive backing from each adhesive tape, and tape the ends to the outside surface of the left rear body side molding.



- Align the end of the left rear body side molding with the rear template as shown and attach it at the front and back.



11. Press on the left rear body side molding firmly with the palm of your hand while removing the adhesive backings. Remove about 2 to 4 inches at a time while pressing on the molding with the palm of your hand.
12. Remove the rear template.
13. Using a rubber roller, apply firm pressure to set the adhesive.



14. Turn the templates over and repeat steps 1 thru 13 to install the body side molding on the right side of the vehicle.