

**HONDA**  
**INSTALLATION**  
**INSTRUCTIONS**

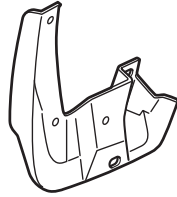
Accessory  
**SPLASH GUARDS**  
**P/N 08P00-TE0-100**

Application  
**2011 ACCORD**  
**2-DOOR**

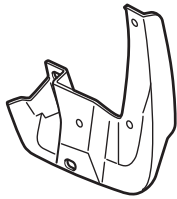
Publications No.  
**All 44013**  
 Issue Date  
**AUG 2010**

**PARTS LIST**

Right front splash guard



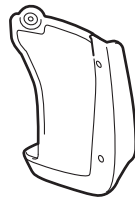
Left front splash guard



Right rear splash guard



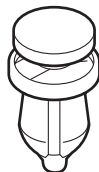
Left rear splash guard



12 Self-tapping screws, 5 x 25 mm



2 Clips



**TOOL AND SUPPLIES REQUIRED**

Stubby Phillips screwdriver  
 Pushpin

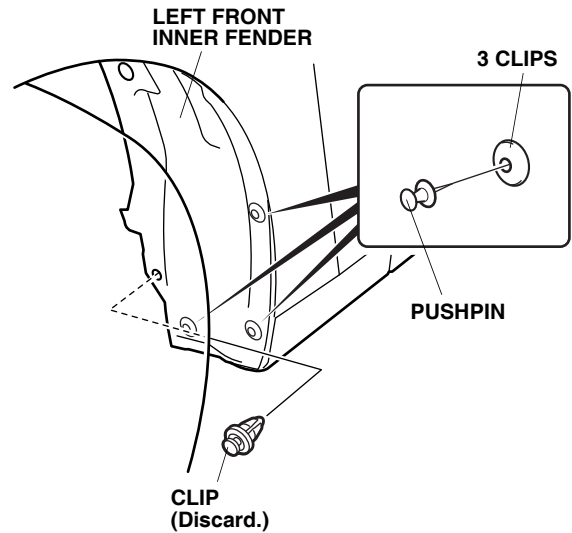
**INSTALLATION**

**NOTE:**

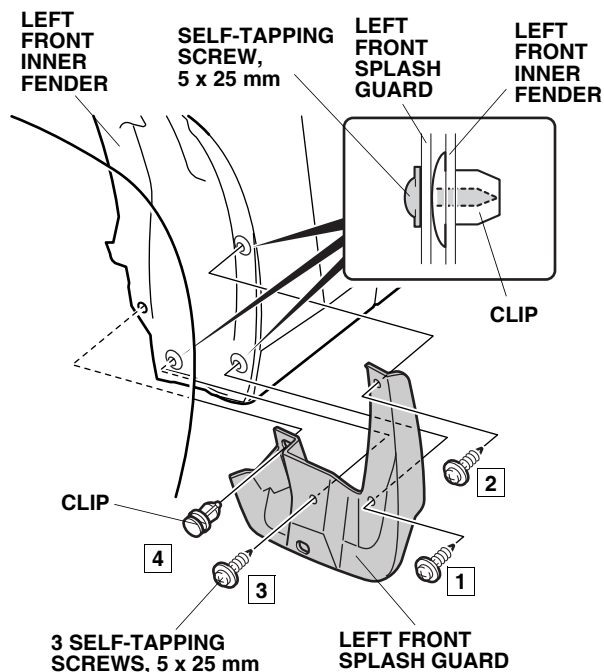
- These instructions show the left splash guards being installed. The same procedure applies to installing the right splash guards.
- The splash guards cannot be installed with the rear or side under spoiler.
- Clean and wax the areas to be covered with a high-quality paste wax.

**Installing the Front Splash Guards**

1. Turn the steering wheel all the way counterclockwise.
2. Remove the clip from the left front inner fender as shown.
3. Using a pushpin, make small holes through the center of the three clips.



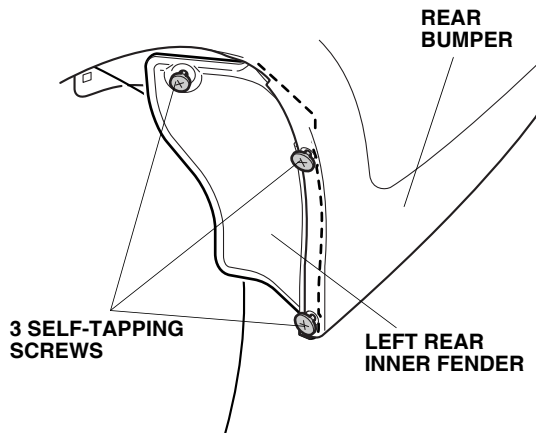
4. Install the left front splash guard using the three 5 x 25 mm self-tapping screws, and one clip. Do not tighten the 5 x 25 mm self-tapping screws yet.



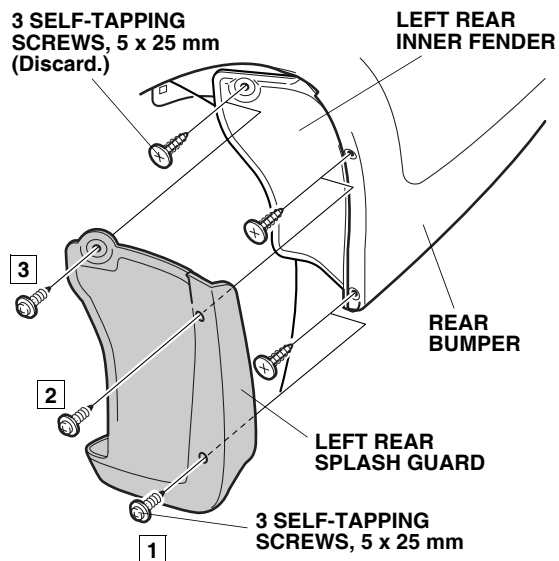
5. While holding the left front splash guard against the left front inner fender, tighten the 5 x 25 mm self-tapping screws in the order shown.
6. Turn the steering wheel all the way clockwise, and repeat steps 2 through 5 to install the right front splash guard.

### Installing the Rear Splash Guards

7. Loosen three self-tapping screws in the left rear inner fender as shown.



8. Place the left rear splash guard over the left rear inner fender. Remove the self-tapping screws and install 5 x 25 mm self-tapping screws in the left rear splash guard.



9. While holding the left rear splash guard against the left rear bumper, tighten the 5 x 25 mm self-tapping screws in the order shown.
10. Repeat steps 7 through 9 to install the right rear splash guard.