



# INSTALLATION INSTRUCTIONS

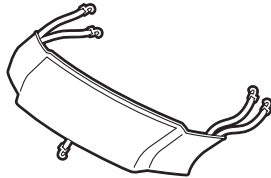
Accessory	Application	Publications No.
FULL NOSE MASK P/N 08P35-SJC-100A	2010 RIDGELINE	All 42139
		Issue Date
		AUG 2009

Accessory	Application	Publications No.
FULL NOSE MASK P/N 08P35-SJC-100A	2010 RIDGELINE	All 42139
		Issue Date
		AUG 2009

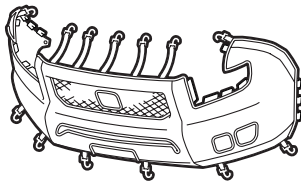
Accessory	Application	Publications No.
FULL NOSE MASK P/N 08P35-SJC-100A	2010 RIDGELINE	All 42139
		Issue Date
		AUG 2009

## PARTS LIST

Mask  
(hood section)



Mask  
(bumper section)



2 Snap-screws



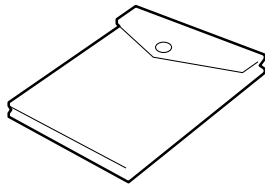
2 Washers



2 Well nuts



Storage bag



## TOOLS AND SUPPLIES REQUIRED

Stubby Phillips screwdriver

Plastic trim tool  
T/N SILTRIMTL 10

Scissors

## INSTALLATION

**Customer Information:** The information in this installation instruction is intended for use only by skilled technicians who have the proper tools, equipment, and training to correctly and safely add equipment to your vehicle. These procedures should not be attempted by “do-it-yourselfers.”

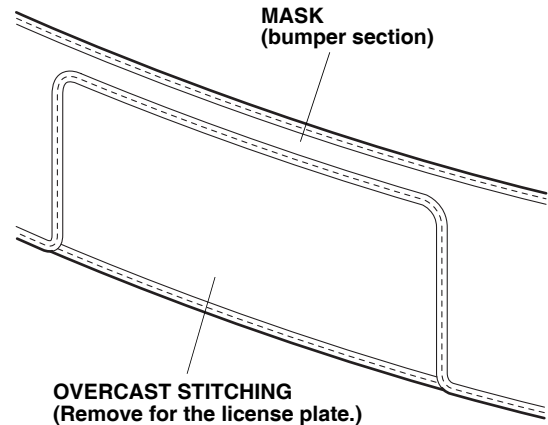
### NOTE:

- Make sure the vehicle and the nose mask are clean and completely dry before installation. If moisture under the mask is allowed to dry, it may cloud the paint. If the mask gets wet, remove it and allow it to air-dry completely.
- Make sure any repainted surfaces are cured.
- Make sure the hood and nose of the vehicle have been waxed with a high-quality paste wax.
- Make sure to install the nose mask securely. If the nose mask starts to flap or comes loose while driving, safely pull off the road, stop the vehicle, and secure or remove the mask.

### Displaying the License Plate

If your state law requires the display of both license plates, cut out the piece of the bumper section that covers the front license plate:

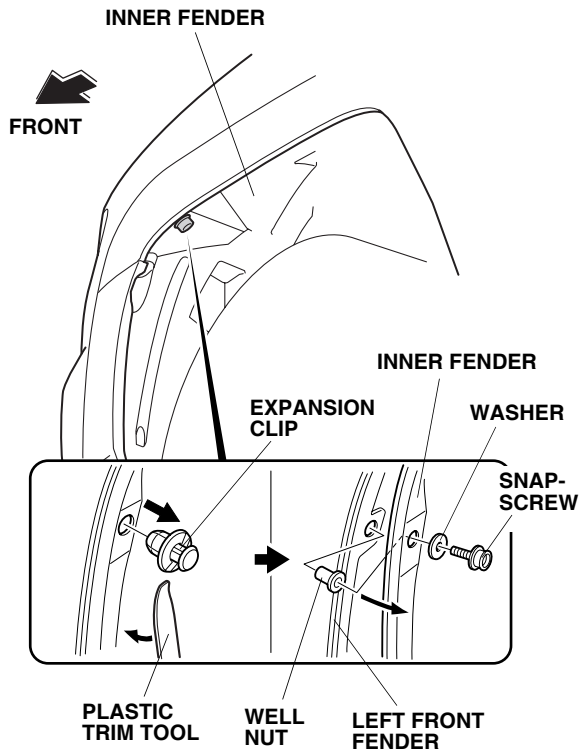
- Face the inside of the mask toward you.
- Carefully cut out the license plate section with scissors at the top seam, and remove the overcast stitching.





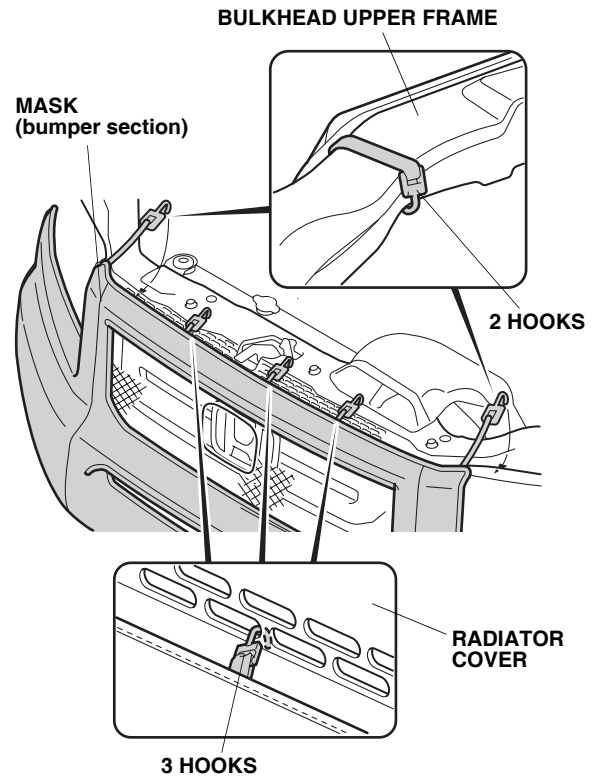
## Installing the Bumper Section

- Turn the steering wheel all the way clockwise.

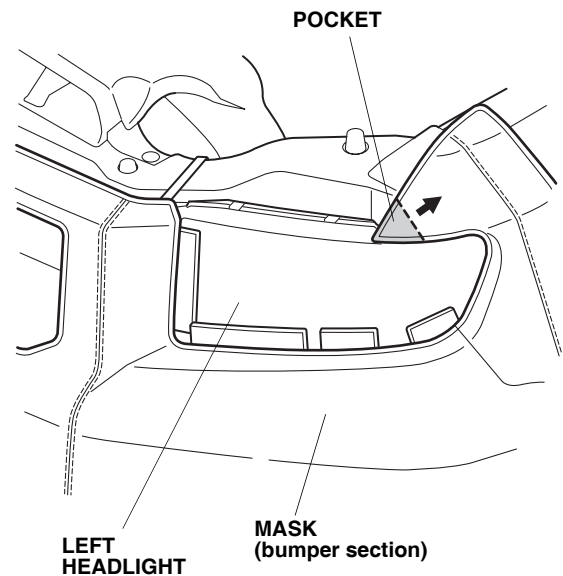


- Remove the expansion clip fastening the left front inner fender. Remove and retain the clip, then clean the area around the hole.
- Pull the inner fender out, and insert the well nut into the hole on the left front fender.
- With the washer in place, securely tighten one snap-screw into the well nut.
- Turn the steering wheel all the way counterclockwise, and repeat steps 3 through 5 on the right side.

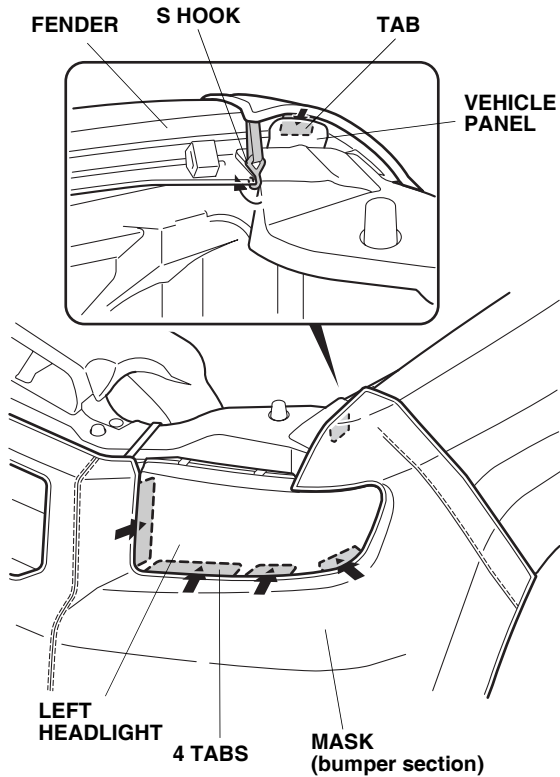
- Get the mask (bumper section). Attach five hooks to the top inside edge of the bulkhead upper frame and the radiator cover.



- Slip the pocket of the mask onto the front corner of the left fender.

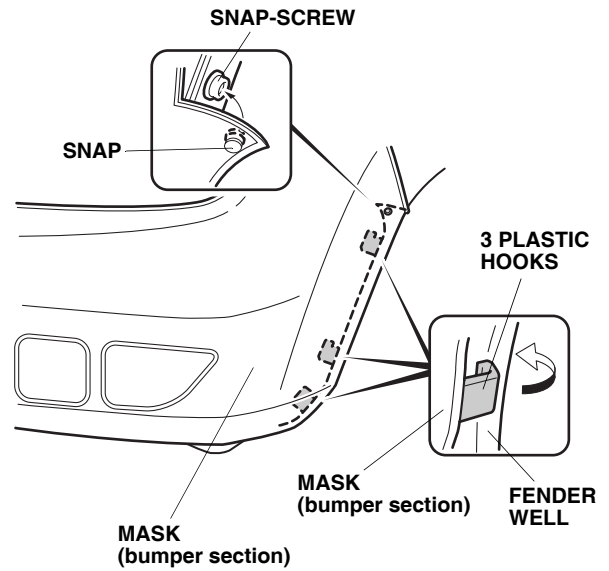


- Attach one S hook to the top inside edge of the fender.

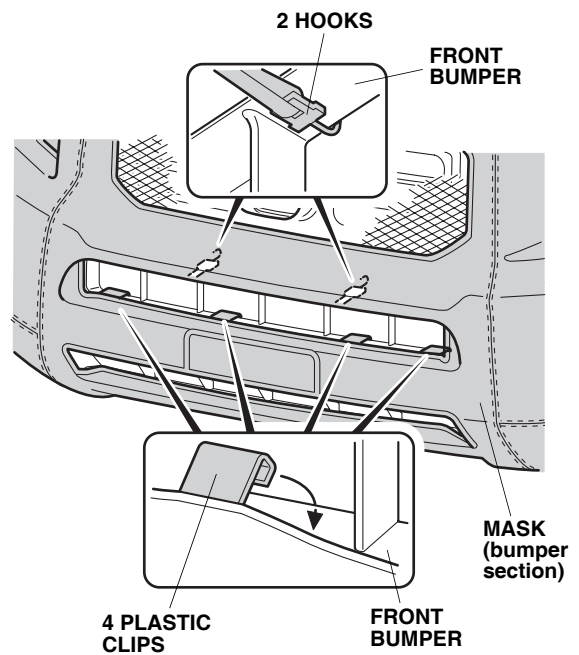


- Insert the tab between the fender and the vehicle panel.
- Insert four tabs between the left headlight and the front bumper.

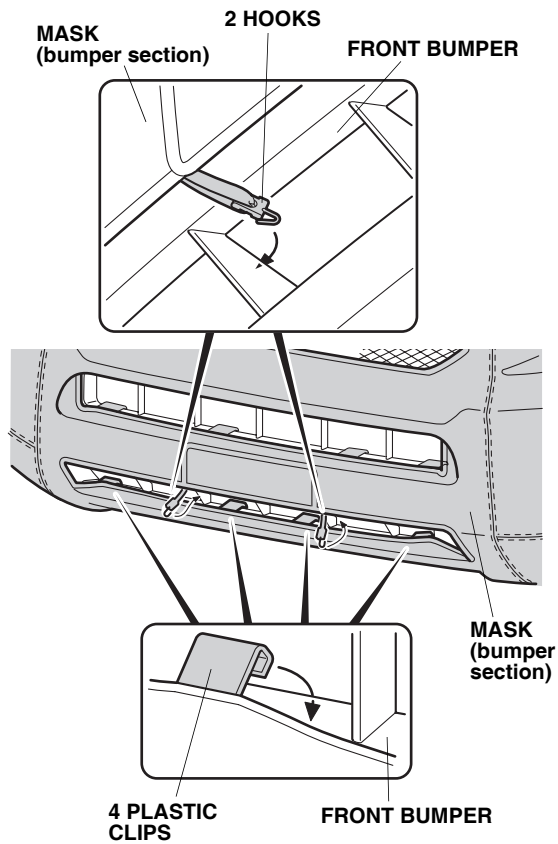
- Pull the mask back toward the fender well, smooth out any wrinkles, and then attach the snap on the mask to the snap-screw.



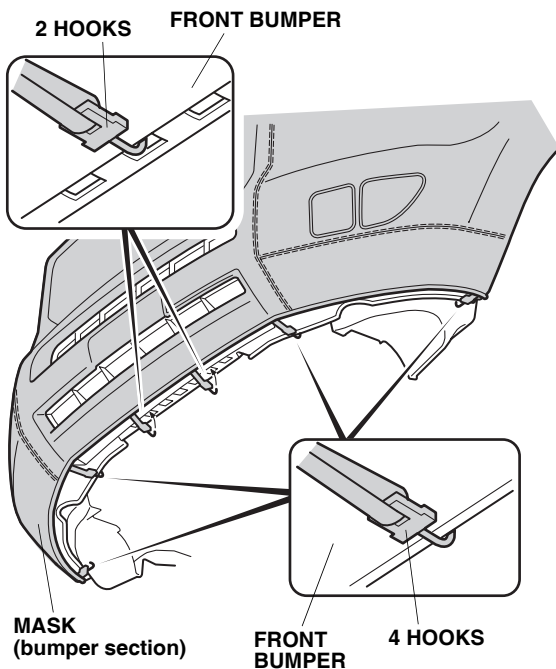
- Attach three plastic hooks to the fenderwell.
- Repeat steps 8 through 13 on the right side.
- Attach four plastic clips and two hooks to the bottom inside edge of the front bumper as shown.



16. Attach four plastic clips and two hooks to the bottom inside edge of the front bumper as shown.



17. Attach six hooks to the bottom inside edge of the front bumper as shown.



## CLEANING THE NOSE MASK

Use a sponge or cloth, solution of mild liquid dishwashing soap and water to clean the vinyl and the flannel backing. Rinse the mask completely with clean water, and hang it to dry out in direct sunlight. Make sure the mask is completely dry before reinstalling.