



INSTALLATION INSTRUCTIONS

Accessory

**SECOND ROW SEAT COVER
P/N 08P93-SHJ-100**

Application

2010 ODYSSEY

Publications No.

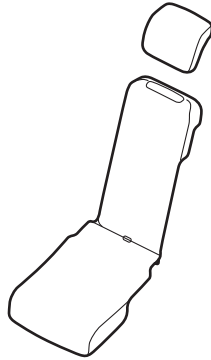
All 41847

Issue Date

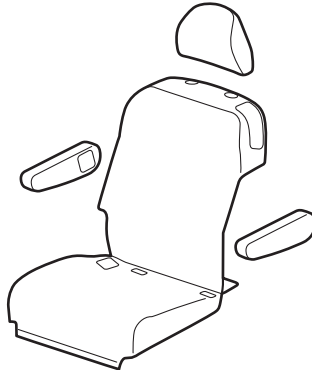
JUNE 2009

PARTS LIST

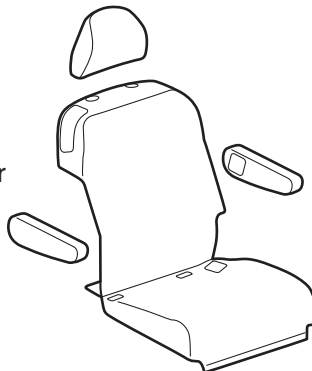
Second row center seat cover



Second row left seat cover



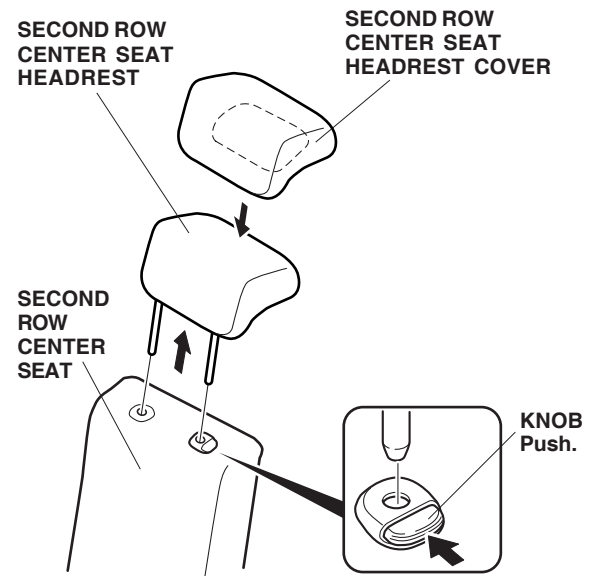
Second row right seat cover



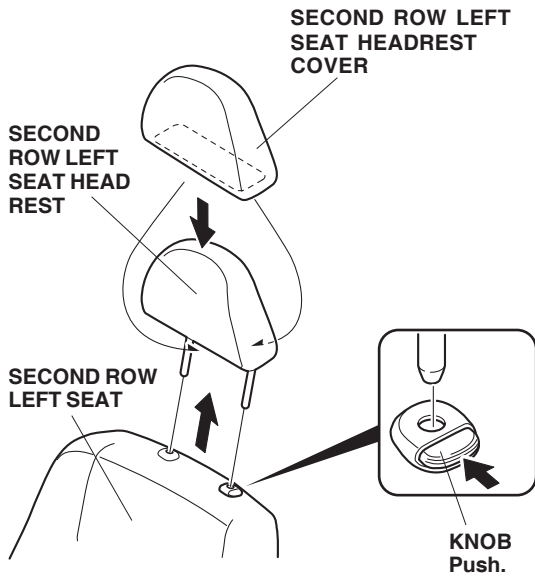
INSTALLATION

NOTE: Do not install the seat cover to the front seats. Improperly covering the front seat-back can prevent your side airbags from inflating in a side impact.

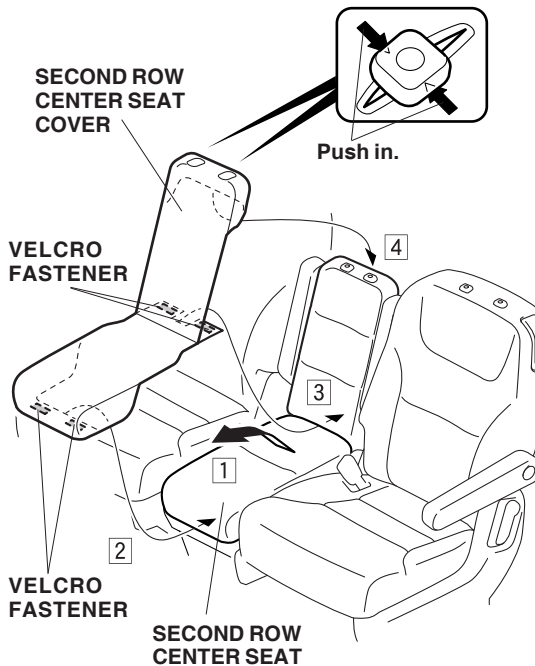
1. Push the knob to release the headrest from the second row center seat. Install the second row center seat headrest cover onto the headrest.



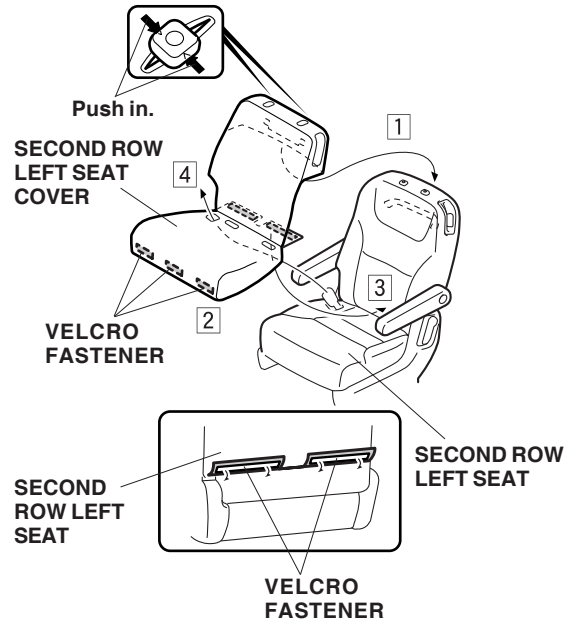
2. Push the knob to release the headrest from the second row left seat. Install the second row left seat headrest cover. Do the same for the second row right seat.



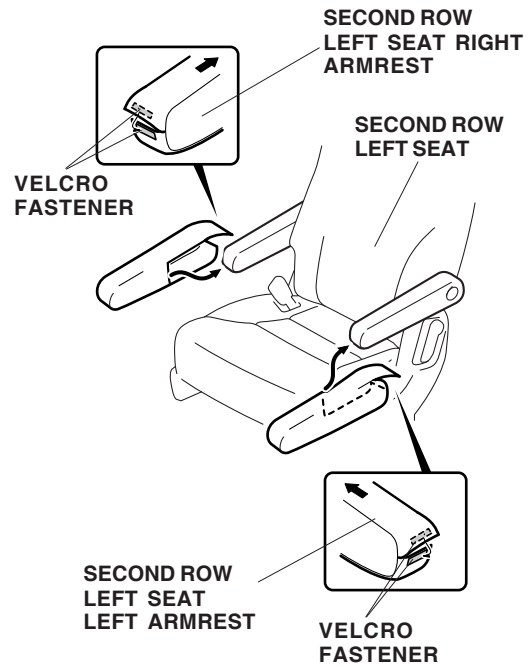
3. Install the second row center seat cover in the following order (1→2→3→4).



4. Install the second row left seat cover in the following order (1→2→3→4). Follow the same instruction for the second row right seat.



5. Install the second row left seat armrest covers. Do the same for the second row right seat.



6. Reinstall the headrests. Make sure the headrest buttons are not covered.