



INSTALLATION INSTRUCTIONS

Accessory
B-PILLAR TRIM
P/N 08F30-TK6-100

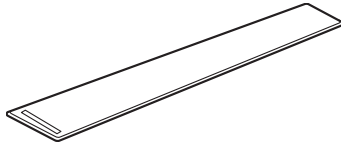
Application
2010 FIT

Publications No.
All 42175
Issue Date
AUG 2009

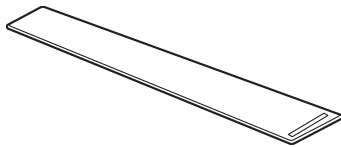
PARTS LIST

B-pillar trim cannot be installed if the vehicle is equipped with Door Visors.

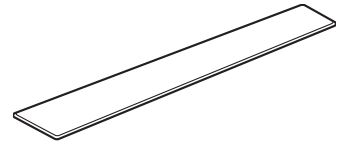
Left front B-pillar trim



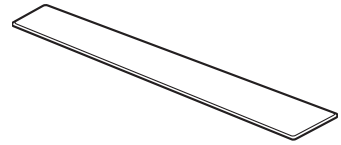
Right front B-pillar trim



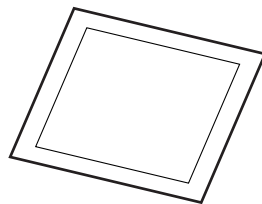
Left rear B-pillar trim



Right rear B-pillar trim



2 Alcohol swabs



TOOLS AND SUPPLIES REQUIRED

Rubber roller (T/N: EQSE54D)

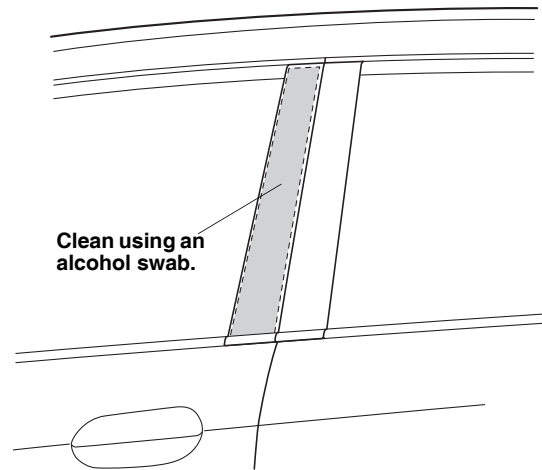
INSTALLATION

NOTE:

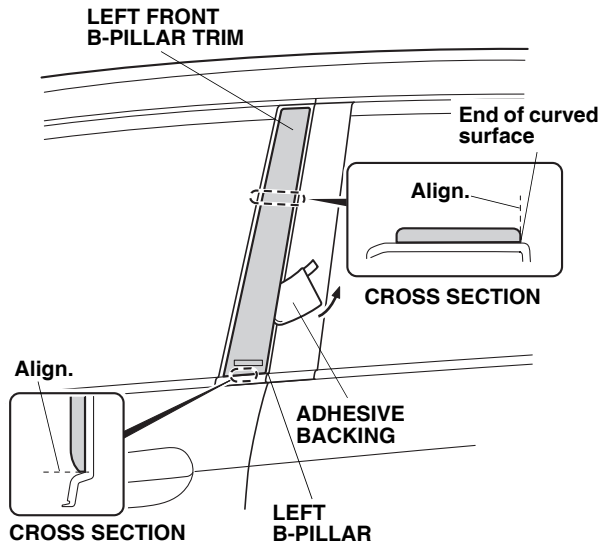
- Be careful not to damage the body paint finish.
- This B-pillar trim kit should be installed only if the ambient air temperature is above 15°C (60°F).
- To allow the adhesive to cure, do not wash the vehicle for 24 hours.
- These installation instructions show the left B-pillar trim being installed. The same procedure applies to installing the right B-pillar trim.

Installing the Front B-pillar Trim

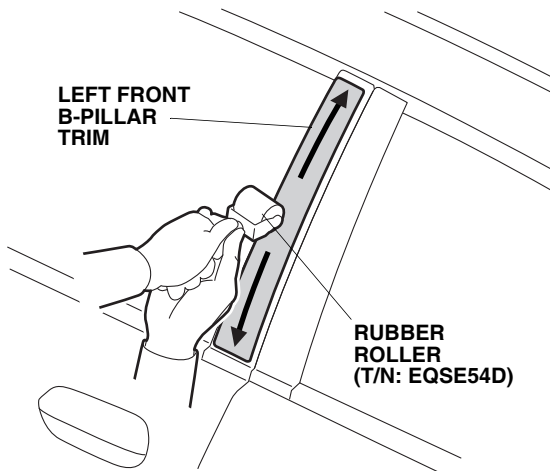
1. Using an alcohol swab, thoroughly clean the area where the left front B-pillar trim will attach.



2. Peel back about 3 inches of adhesive backing from the left front B-pillar trim and fold it up diagonally as shown. Align the left front B-pillar trim on the left B-pillar as shown. While applying pressure on the trim, carefully remove the adhesive backing.

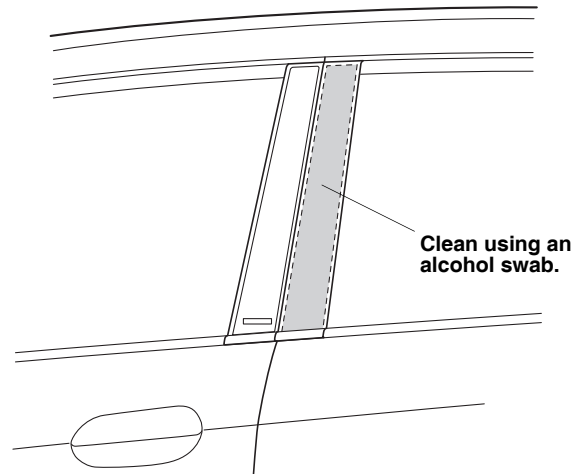


3. Using the rubber roller, apply pressure to set the adhesive.

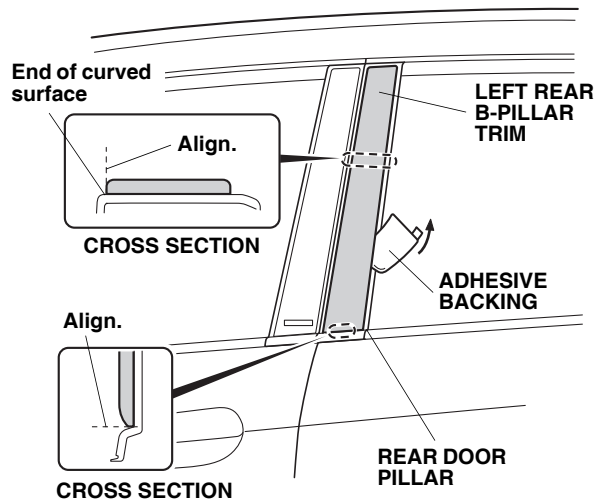


Installing the Rear B-pillar Trim

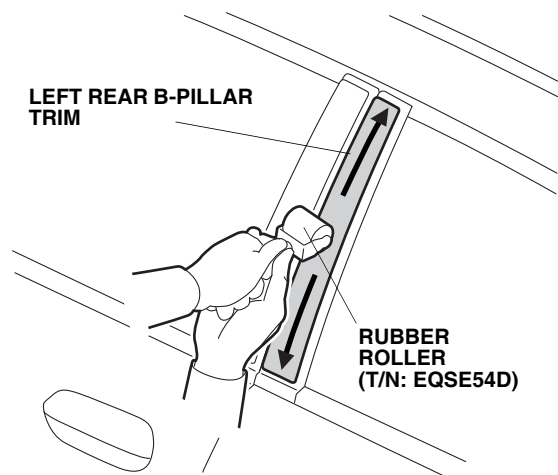
4. Using an alcohol swab, thoroughly clean the area where the left rear B-pillar trim will attach.



5. Repeat step 2 to install the left rear B-pillar trim.



6. Using the rubber roller, apply pressure to set the adhesive.



7. Repeat the steps 1 through 6 to install the right B-pillar trim.