

# HONDA

## INSTALLATION INSTRUCTIONS

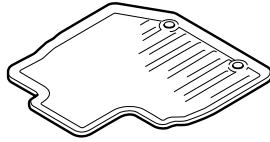
Accessory  
FLOOR MATS

Application  
2010 FIT MUGEN

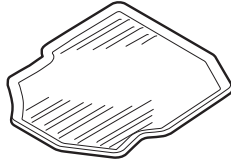
Publications No.  
All 42191  
Issue Date  
JULY 2009

### PARTS LIST

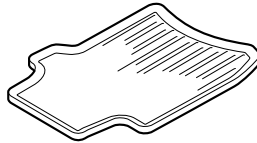
Driver's side floor mat



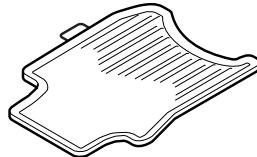
Passenger's side floor mat



Left rear floor mat



Right rear floor mat



2 Anchors



### TOOLS AND SUPPLIES REQUIRED

Utility knife

Scale

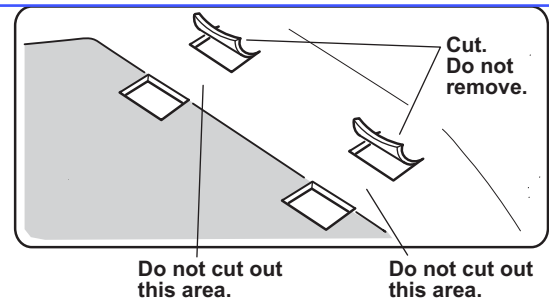
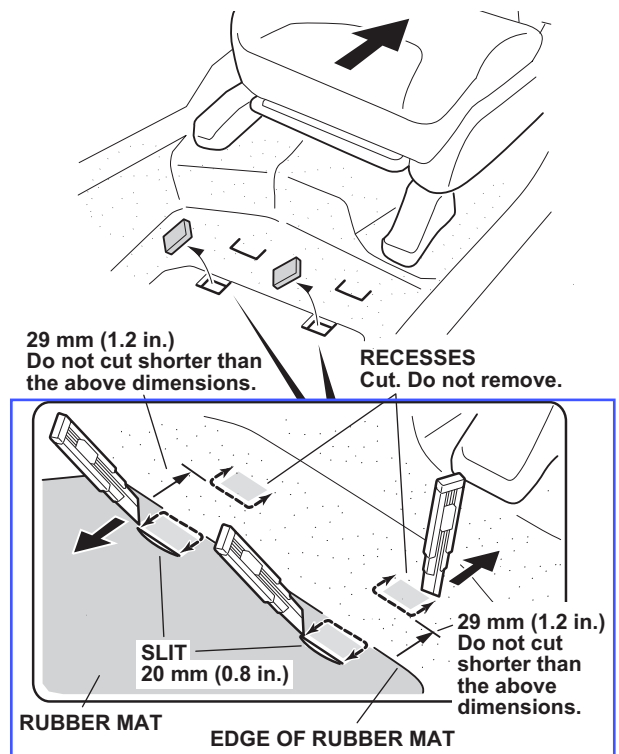
Clip remover (or flat-tip screwdriver)

### INSTALLATION

#### NOTE:

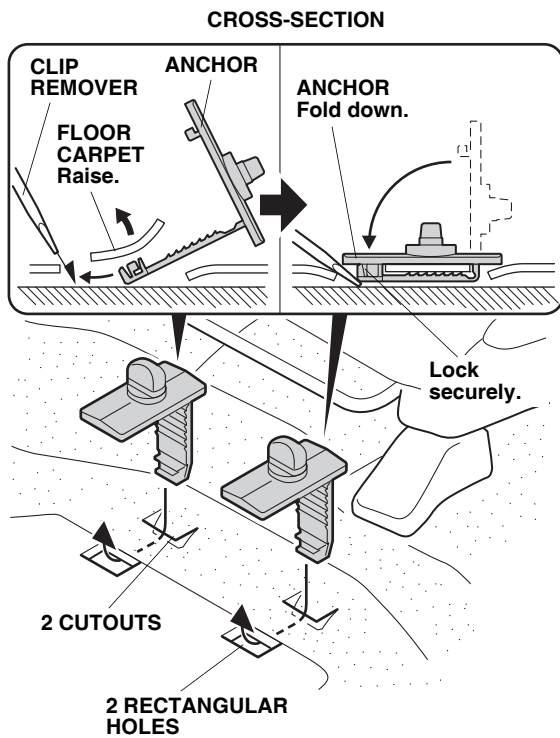
- Before installing the floor mats, identify their installation positions.
- Anchors are required for the driver's side of the vehicle; they prevent the floor mat from sliding forward and interfering with the pedals.
- If you remove the driver's side all season mat, make sure you reanchor it when you put it back in the vehicle.
- If you replace the floor mats, use factory mats designed to be used with the anchors.
- Do not put the floor mat on top of the anchored mat. The additional mat may slide forward and interfere with the pedals.

1. Slide the driver's seat all the way back.
2. Locate the two slit marks on the rubber mat. Using a utility knife, cut back to the edge of the rubber mat in the direction shown, and remove the rectangular piece of rubber mat.



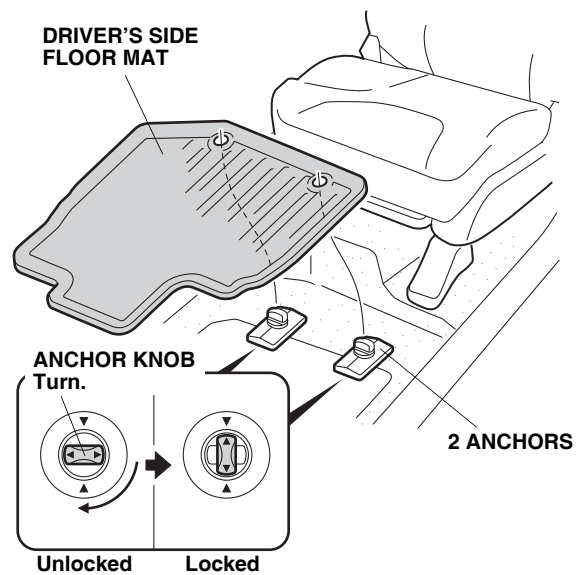
3. Locate the two recesses in the carpet. Using a utility knife, slit the carpet at the front of the recess in the direction shown. Be careful not to cut out the piece between the recess and the rubber mat, otherwise the entire floor carpet must be replaced.

- Lift the floor carpet to create a space to insert the anchor between the floor carpet and insulator.

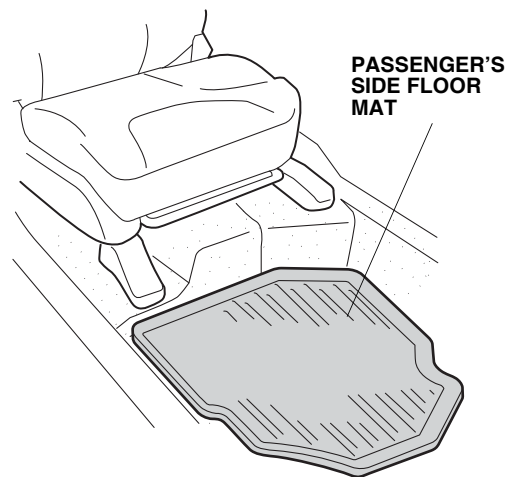


- Insert the two anchors into the two cutouts and move the lock tabs forward into the rectangular holes. If necessary, use a clip remover or equivalent tool to open the hole in the floor carpet.
- Fold the anchors down to lock them in place. Make sure the floor carpet is not caught in the anchor. Confirm that each anchor is locked securely.

- Place the driver's side floor mat over the anchors as shown.



- Turn the knobs on the anchors to secure the driver's side floor mat.
- Install the passenger's side floor mat.



10. Install the right and left rear floor mats. Insert the tab from each floor mat under the sill trim.

