



# INSTALLATION INSTRUCTIONS

Accessory

REAR POWER OUTLET  
P/N 08U55-SCV-100

Application

2010 ELEMENT (LX)

Publications No.

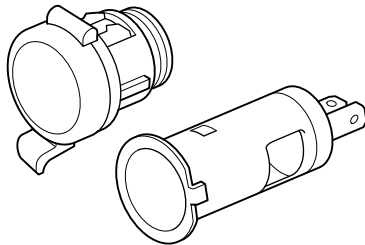
All 42685

Issue Date

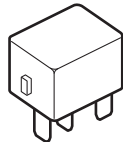
SEPT 2009

## PARTS LIST

Accessory socket



Relay



## TOOLS AND SUPPLIES REQUIRED

Phillips screwdriver

Flat-tip screwdriver

10 mm Combination wrench

Ratchet

10 mm and 14 mm Sockets

Torque wrench

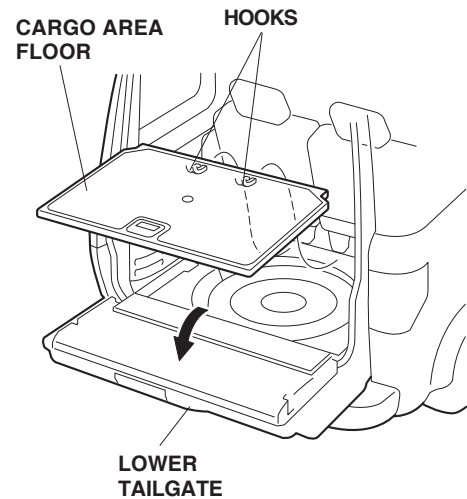
Clip remover

## INSTALLATION

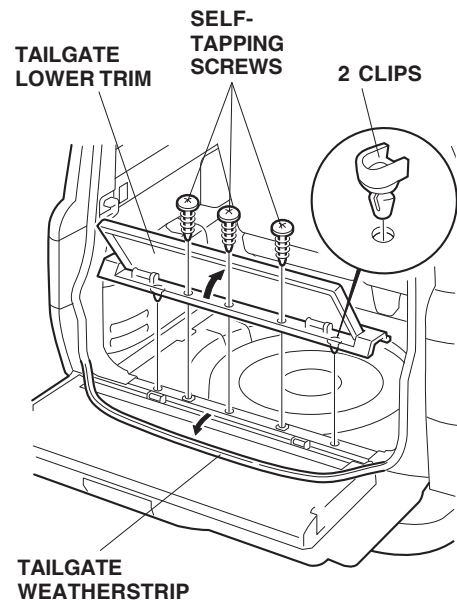
**Customer information:** The information in this installation instruction is intended for use only by skilled technicians who have the proper tools, equipment, and training to correctly and safely add equipment to your vehicle. These procedures should not be attempted by "do-it-yourselfers."

1. Make sure you have the anti-theft code for the radio, then write down the frequencies for the preset buttons.
2. Disconnect the negative cable from the battery.

3. Open the upper and lower tailgates and take out the cargo area floor (two hooks).

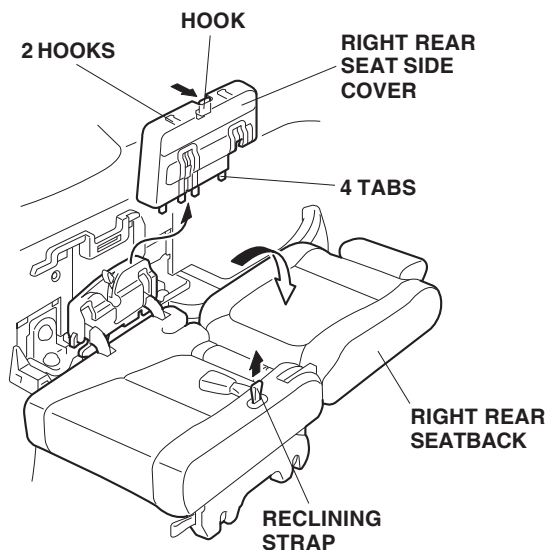


4. Raise the tailgate lower trim and remove the three self-tapping screws that fasten the tailgate lower trim. Remove the lower trim (two clips).

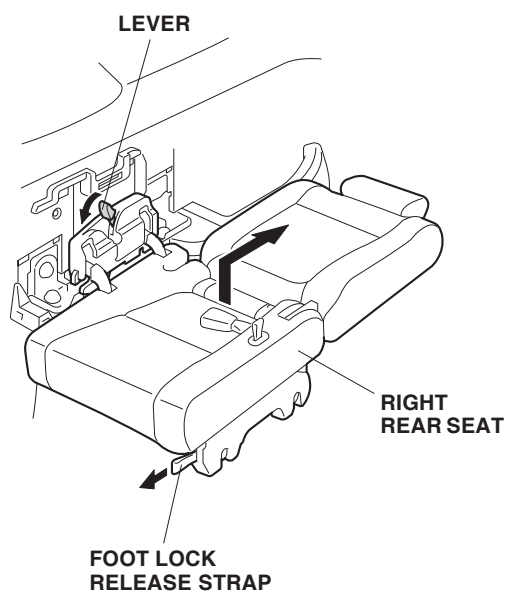


5. Remove the tailgate weatherstrip from the area shown.

- Pull up on the reclining strap to tilt the right rear seatback down, then remove the right rear seat side cover by pulling the hook in the direction shown to release the two hooks and four tabs.

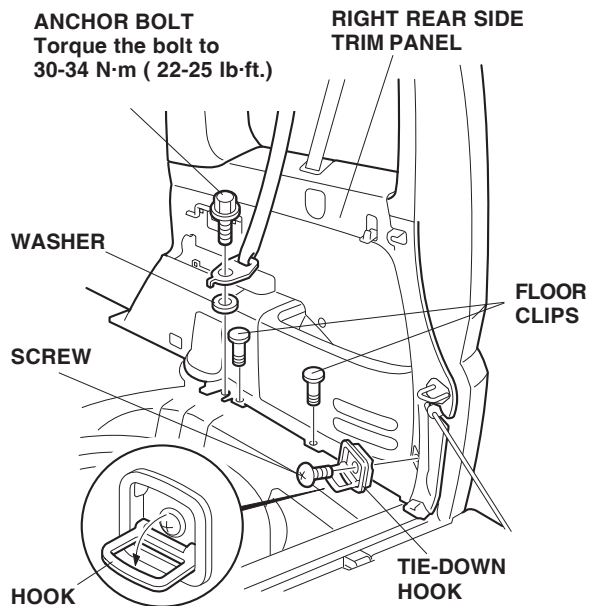


- Unlock the right rear seat by pulling the right rear seat foot lock release strap out toward you.

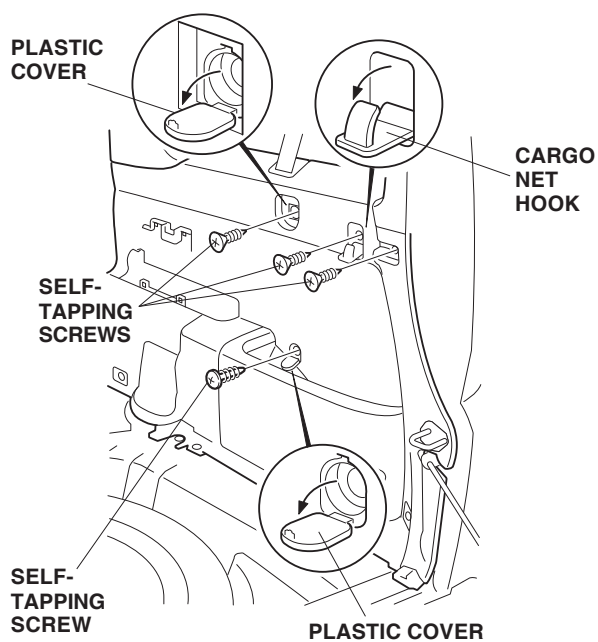


- Push the lever in the direction shown, then remove the right rear seat by lifting the rear of the seat and sliding the seat towards the rear of the vehicle.

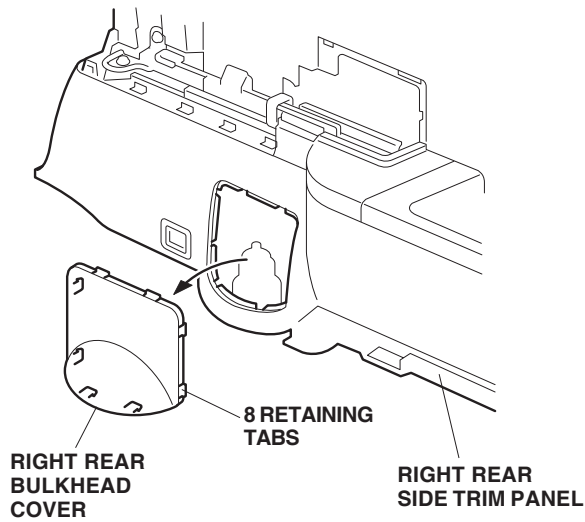
- Remove the tie-down hook from the right rear side trim panel (one screw).



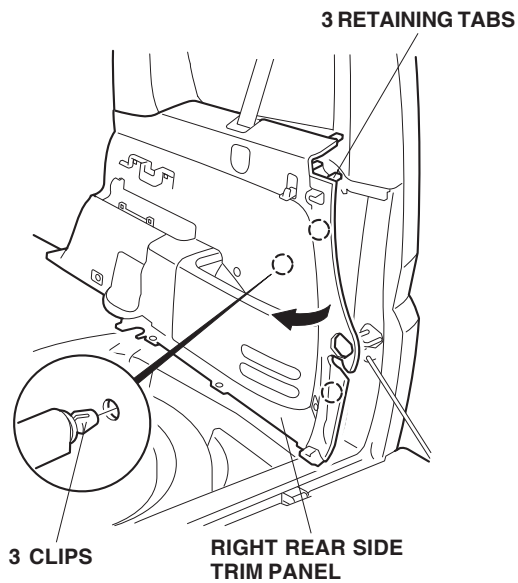
- Remove the two floor clips.
- Remove the anchor bolt and washer that fasten the seat belt.
- Open the plastic covers and remove the self-tapping screws concealed under the covers. Open the cargo net hook plastic cover and remove the self-tapping screw concealed under the hook. Remove one additional self-tapping screw just behind the cargo net hook.



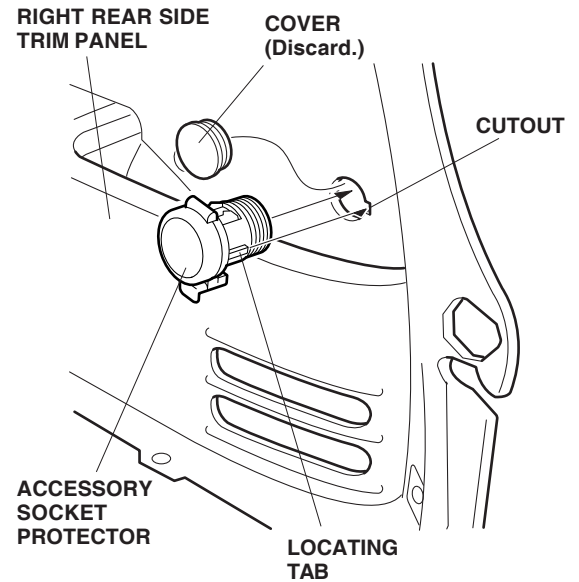
13. Remove the right rear bulkhead cover from the right rear side trim panel (eight retaining tabs).



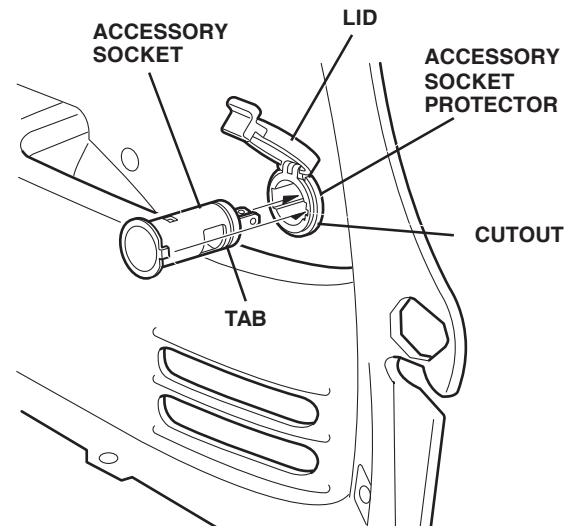
14. Remove the rear portion of the right rear side trim panel by pulling it out toward you (three clips and three retaining tabs). It is not necessary to remove the entire trim panel.



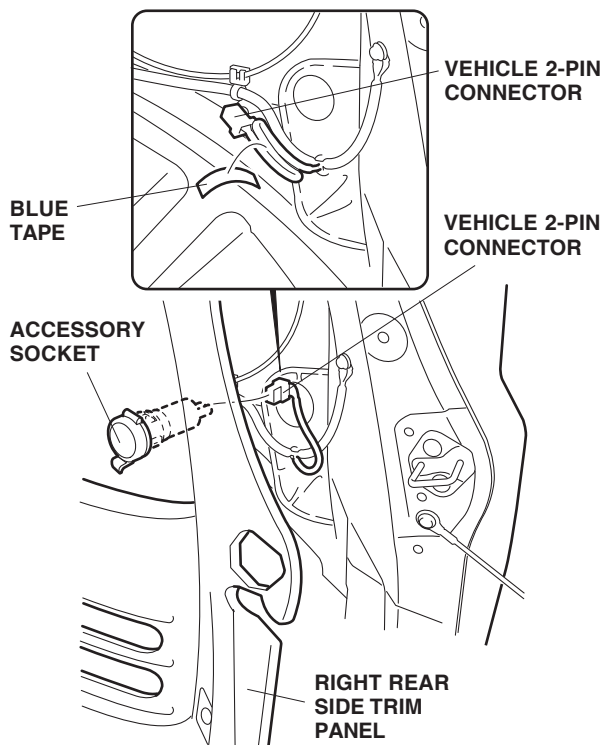
15. Remove and discard the cover from the right rear side trim panel. Slide the accessory socket protector into the vacant hole and align the tab on the protector with the cutout in the panel.



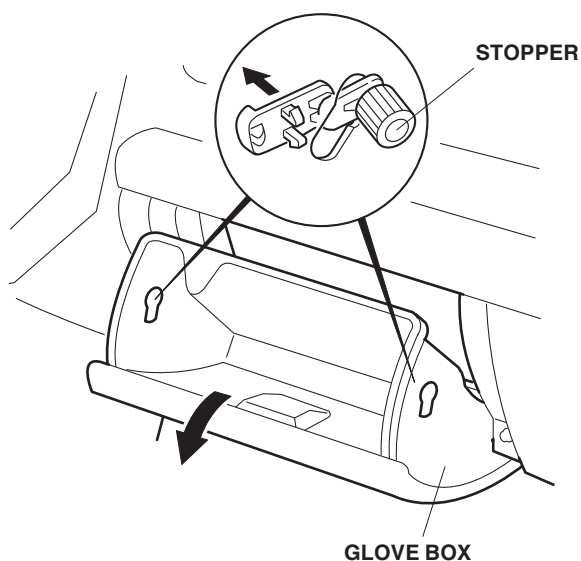
16. Open the lid, then slide the accessory socket into the accessory socket protector and align the tab with the cutout in the protector.



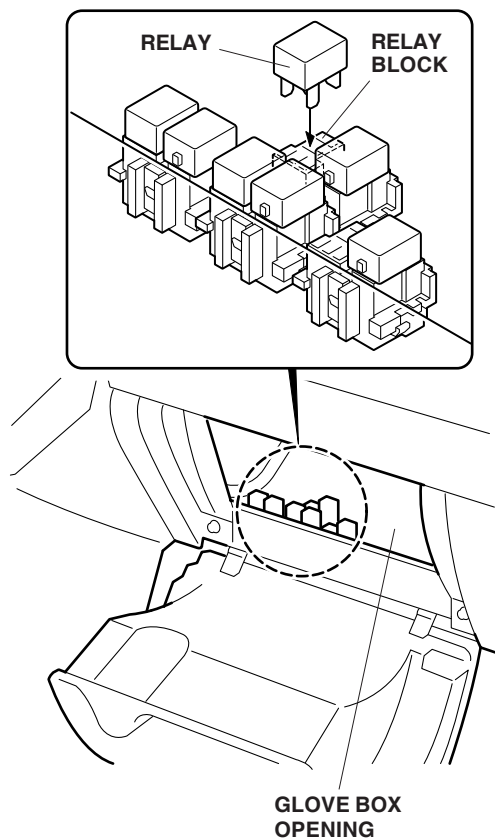
17. Behind the right rear side panel, locate the 2-pin connector blue-taped to the vehicle harness and remove the blue tape to free the 2-pin connector. Plug the 2-pin connector you just freed into the accessory socket.



18. Reinstall the right rear side trim panel.
19. Remove the stoppers from both sides of the glove box, and lower the glove box.



20. Install the relay into the relay block in the glove box opening.



21. Test the accessory socket.
22. Reinstall all removed parts.
23. Reconnect the negative cable to the battery.
24. Enter the customer's radio anti-theft code, if applicable, and reset the radio station presets.
25. Reset the clock.

NOTE: When the battery is disconnected, the driver's window AUTO function is disabled.

26. Start the engine. Push down on the driver's window switch until the window is fully open.
27. Pull up on the driver's window switch fully to close the window completely, then hold the switch for 2 seconds or more.
28. Test the window AUTO function.