



# INSTALLATION INSTRUCTIONS

Accessory

**INTERIOR TRIM KIT**  
P/N 08Z13-SCV-100C  
P/N 08Z13-SCV-110A

Application

**2010 ELEMENT**

Publications No.

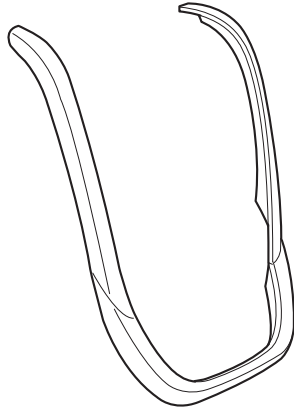
**All 42682**

Issue Date

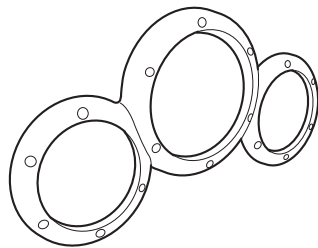
**SEPT 2009**

## PARTS LIST

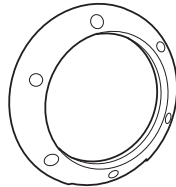
Center trim



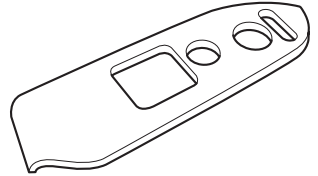
Meter trim



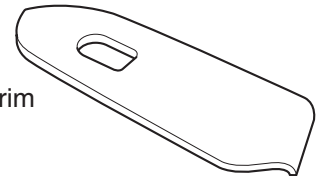
Air outlet trim



Driver's door switch trim



Passenger's door switch trim



## SUPPLIES REQUIRED

Isopropyl alcohol

Shop towel

Masking tape

## INSTALLATION

### NOTE:

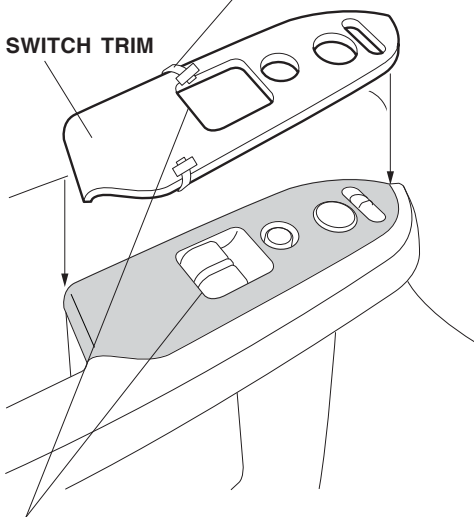
- Be careful not to damage the body paint finish.
- Install this interior trim kit only if the outside air temperature is 60°F (15°C) or above.

1. Using isopropyl alcohol on a shop towel, clean the areas where the interior trims will attach.
2. Attach a strip of masking tape to the end of each outer adhesive backing, and peel back about 2 to 3 cm (1/2 to 1 in.) of the adhesive backing. Fold the ends back, and tape them to the front of the trim pieces. Remove and discard the inner adhesive backing.
3. Position the interior trim pieces on the existing panels. While applying light pressure to the inner panels, carefully remove the adhesive backing from the interior trim.
  - Before installing the switch trim, check that the hole in the panel is aligned with the switch hole.
  - Install the outlet trim so that the line drawn across the top and bottom recesses is vertical with the chipped end facing down.
4. After installing the trim, use the palm of your hand to hold pressure against each piece for 30 seconds.

**Left Switch Trim:**

**OUTER ADHESIVE BACKING**  
Peel back 2 to 3 cm (1/2 to 1 in.) from the end, and tape it to the front of the trim.

**LEFT SWITCH TRIM**

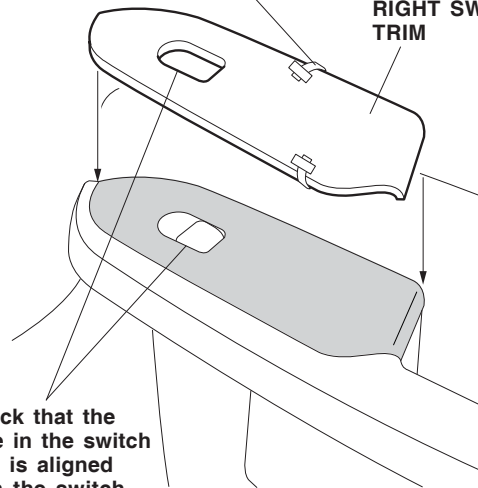


Check that the hole in the switch trim is aligned with the switch hole.

**Right Switch Trim:**

**OUTER ADHESIVE BACKING**  
Peel back 2 to 3 cm (1/2 to 1 in.) from the end, and tape it to the front of the trim.

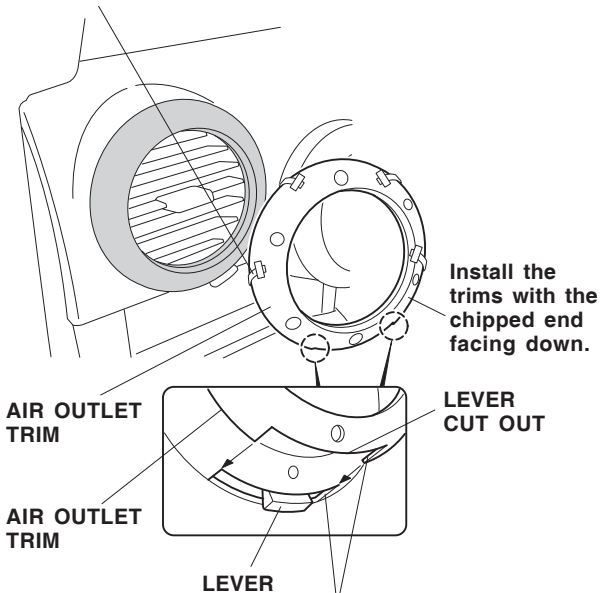
**RIGHT SWITCH TRIM**



Check that the hole in the switch trim is aligned with the switch hole.

**Right and Left Air Outlet Trims:**

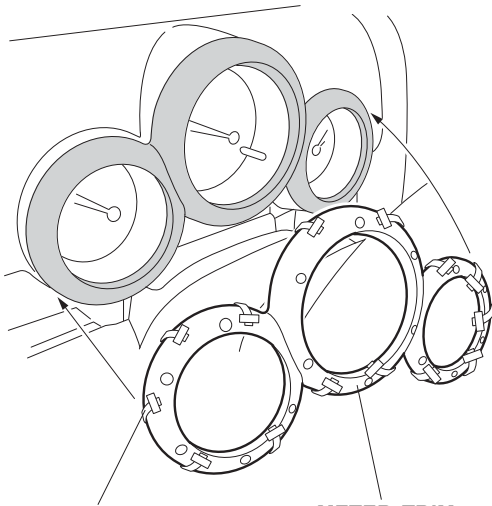
**OUTER ADHESIVE BACKING**  
Peel back 2 to 3 cm (1/2 to 1 in.) from the end, and tape it to the front of the trim.



Install the trims with the chipped end facing down.

Install the trims so that the cutout on the bottom matches the lever.

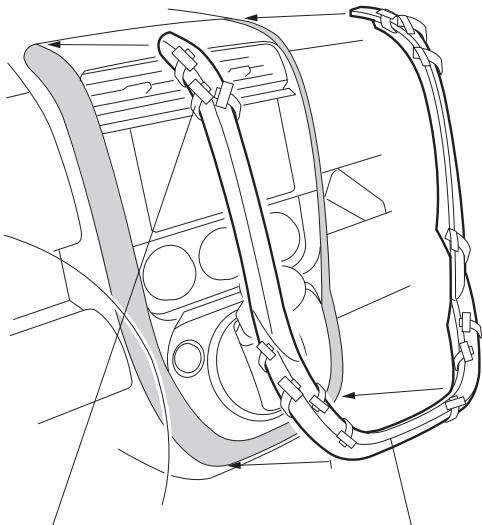
### Center Trim:



**OUTER ADHESIVE BACKING**  
Peel back 2 to 3 cm (1/2 to 1 in.) from the end, and tape it to the front of the trim.

**METER TRIM**

### Meter Trim:



**OUTER ADHESIVE BACKING**  
Peel back 2 to 3 cm (1/2 to 1 in.) from the end, and tape it to the front of the trim.

**CENTER TRIM**

### USE AND CARE

Use a sponge or soft cloth dampened with mild detergent and water solution. After cleaning, wipe with a clean, soft cloth. Do not use cleaners or polishers containing abrasive compounds to clean the interior trims as they may damage the surface.