



# INSTALLATION INSTRUCTIONS

Accessory  
**IN-DASH CD CHANGER  
CASSETTE/MULTIMEDIA  
PLAYER ATTACHMENT KIT**

Application  
**2010 CIVIC  
2- AND 4-DOOR (DX)**

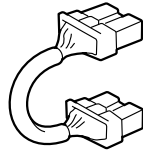
Publications No.  
**All 42478**  
Issue Date  
**AUG 2009**

NOTE: The vehicle must be equipped with an AM/FM/CD tuner and pocket before installing a player.

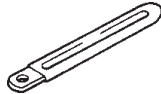
## PARTS LIST

### Player Attachment Kit (Sold Separately) P/N 08B06-SCV-101

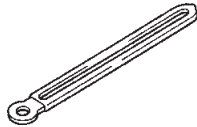
Bus cable



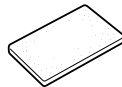
Small harness clip



Large harness clip



EPT sealer

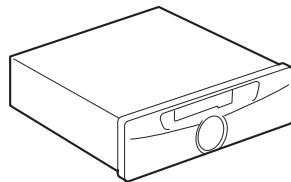


2 Washer-screws,  
4 x 8 mm



### Cassette Player (Sold Separately) P/N 08A03-5E1-000

Cassette player



4 Washer-screws, 5 x 8 mm

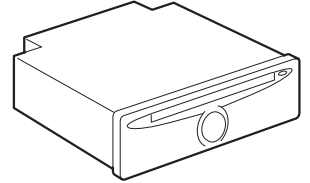


Accessory User's  
Information Manual



### Multimedia Player (Sold Separately) P/N 08A06-4E1-200

Multimedia player



4 Washer-screws, 5 x 8 mm

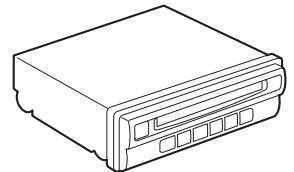


Accessory User's  
Information Manual



### In-Dash CD Changer (Sold Separately) P/N 08A06-3E1-300

In-Dash CD changer



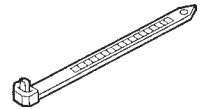
6 Washer-screws, 5 x 8 mm  
(2 Not used)



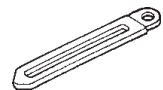
Washer-screw, 4 x 6 mm



Wire tie  
(Not used)



Harness clip  
(Not used)



Accessory User's  
Information Manual



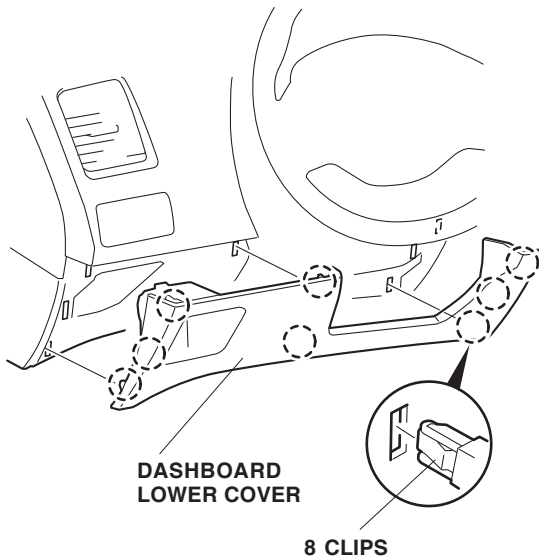
## TOOLS AND SUPPLIES REQUIRED

Phillips screwdriver  
Flat-tip screwdriver  
8 mm, 10 mm, and 14 mm Combination wrenches  
Isopropyl alcohol  
Shop towel  
Ratchet  
8 mm, 10 mm, and 14 mm Sockets  
Shop towel  
Scissors  
Masking tape

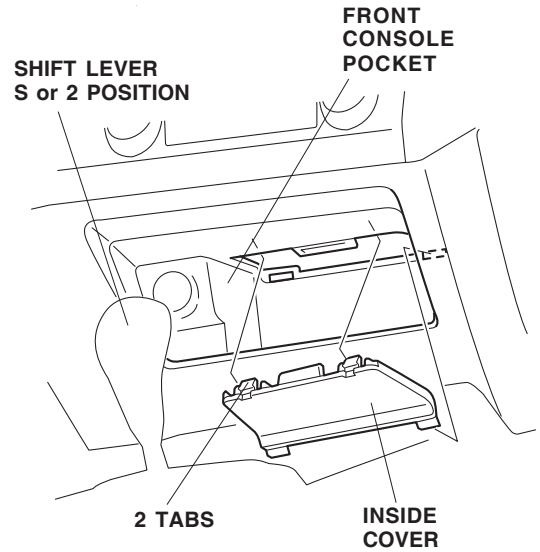
## INSTALLATION

**Customer Information:** The information in this installation instruction is intended for use only by skilled technicians who have the proper tools, equipment, and training to correctly and safely add equipment to your vehicle. These procedures should not be attempted by "do-it-yourselfers."

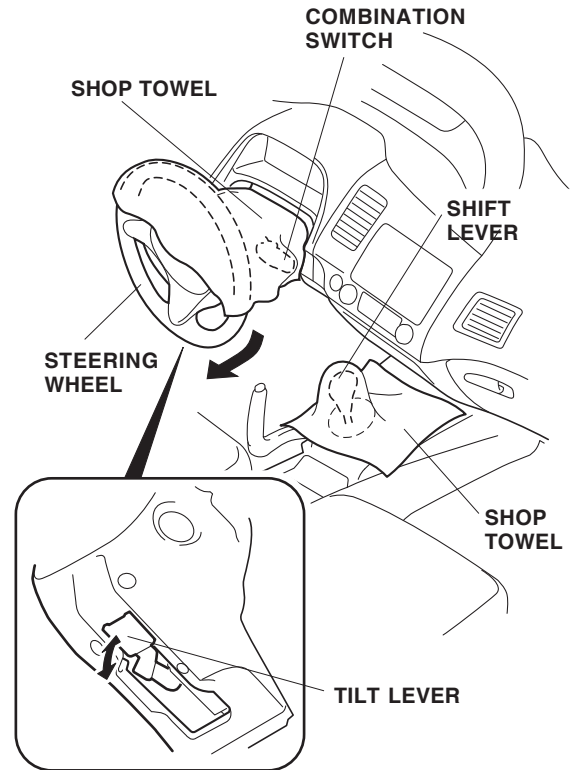
1. Make sure you have the anti-theft code for the audio unit, then write down the frequencies for the preset buttons.
2. Disconnect the negative cable from the battery.
3. Remove the driver's dashboard lower cover (eight clips).



4. Remove the inside cover from the front console pocket (two tabs).

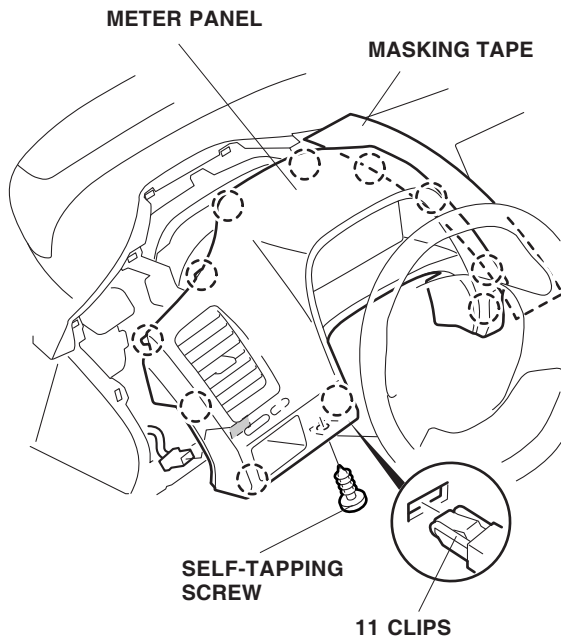


5. Lower the tilt lever, and pull the steering wheel toward you.

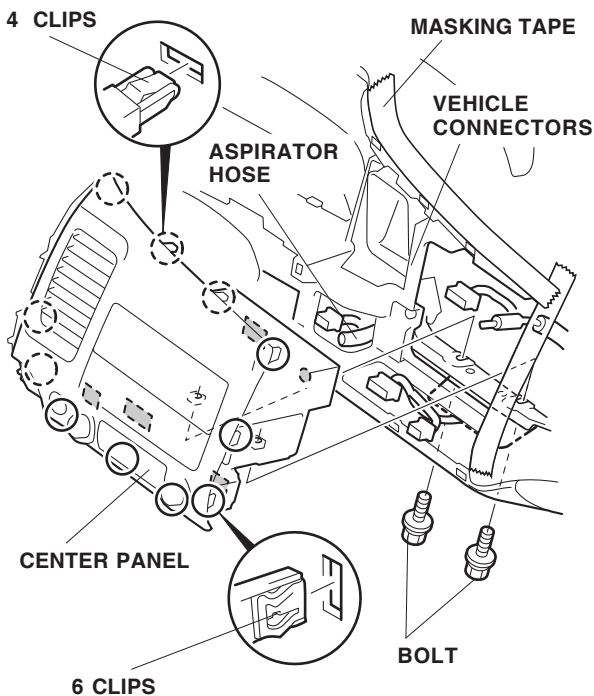


6. To protect the dashboard area, place a shop towel over the steering wheel and shift lever.

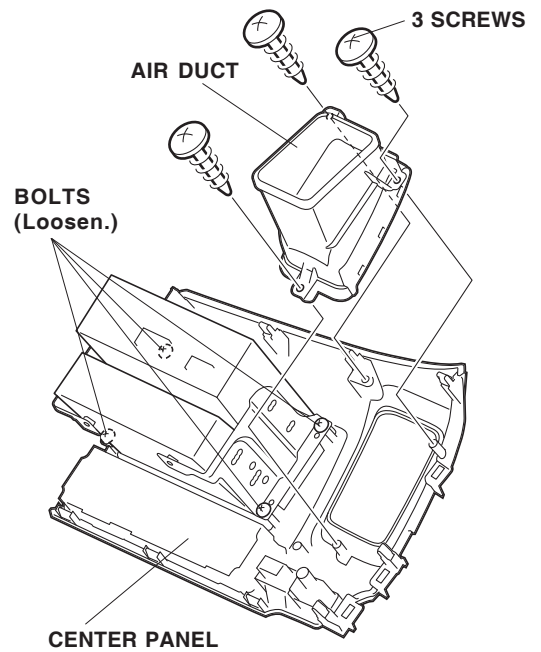
- Apply masking tape to the meter panel as shown, and remove the instrument panel (one self-tapping screw, 11 clips, and one connector).



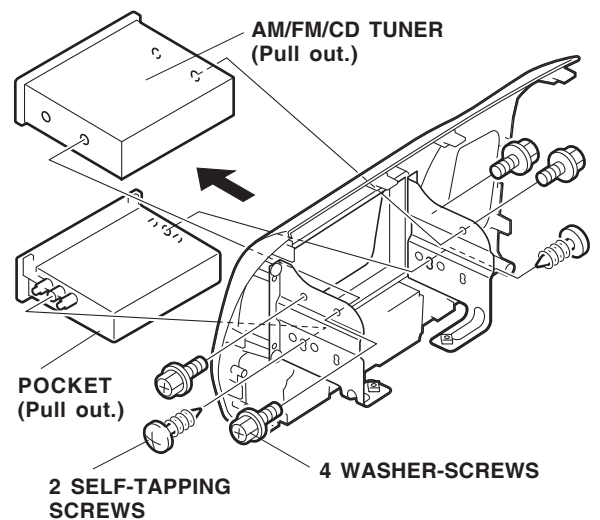
- Apply masking tape to the instrument panel as shown, and remove the center panel (two bolts, ten retaining clips, and unplug the vehicle connectors).



- Remove the three screws and the air duct from the center panel.



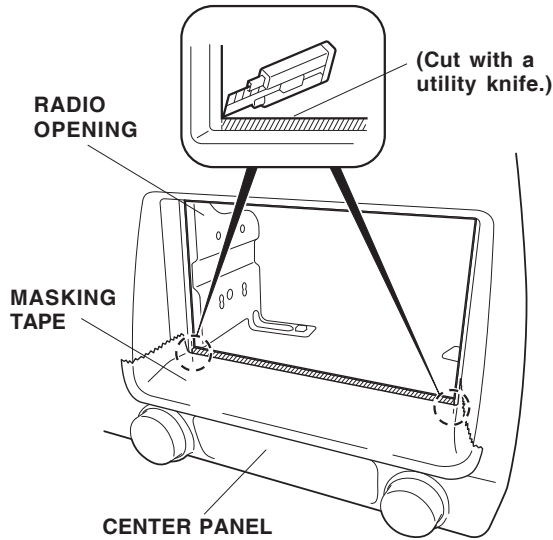
- Loosen the four bolts on the right and left audio brackets.
- Remove the four washer screws that fasten the AM/FM/CD tuner to the brackets, and pull the tuner out toward you.



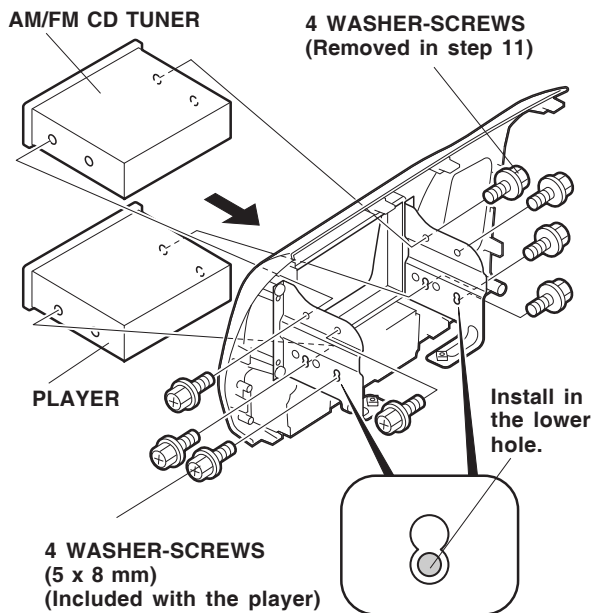
- Remove the two self-tapping screws that fasten the pocket to the brackets, and pull the pocket out toward you. Save the pocket and the screws for your customer.

## Installing the Player

- Cut the marked area from the edge of the radio opening. Make sure the edge is smooth and flat, and remove all burrs.



- Position the player in the center panel, and install four 5 x 8 mm washer-screws.

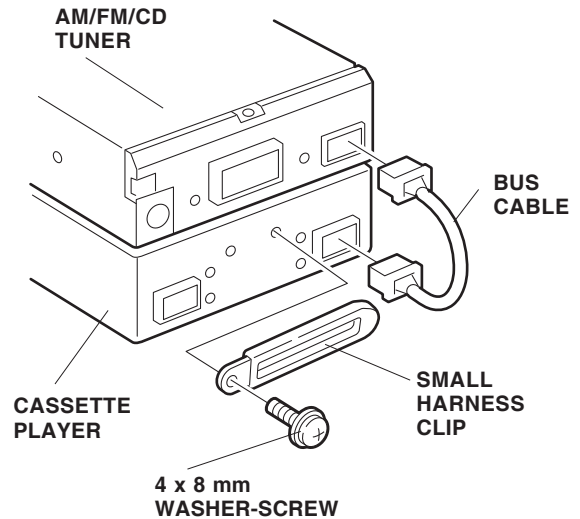


- Position the AM/FM/CD tuner on the player, and install the four washer-screws you removed in step 12.
- Tighten the four bolts on the audio brackets you loosened in step 10, and reinstall the air duct with the original screws.

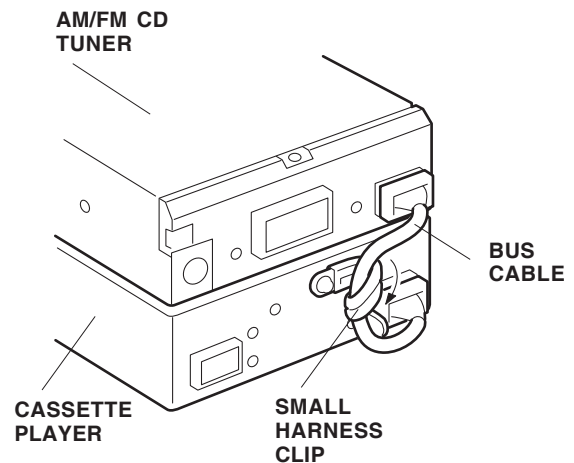
- Plug the bus cable connectors into the rear of the AM/FM/CD tuner and player, then secure the bus cable with the harness clip as shown.

## Cassette Player

- Plug the bus cable connectors into the rear of the AM/FM/CD tuner and cassette player.
- Secure the small harness clip to the back of the cassette player with a 4 x 8 mm washer-screw.

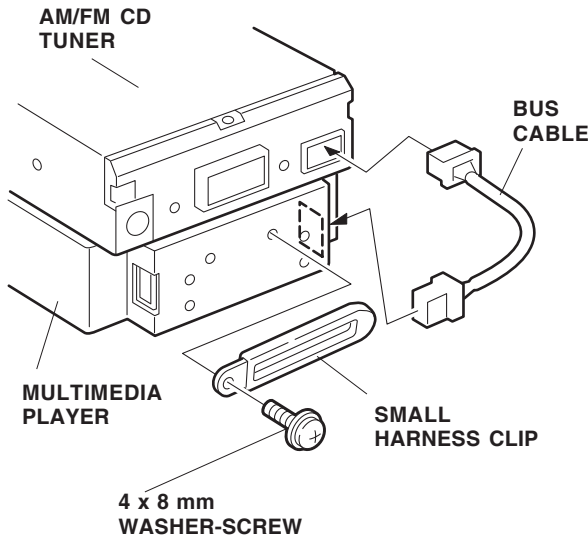


- Secure the bus cable with the small harness clip.

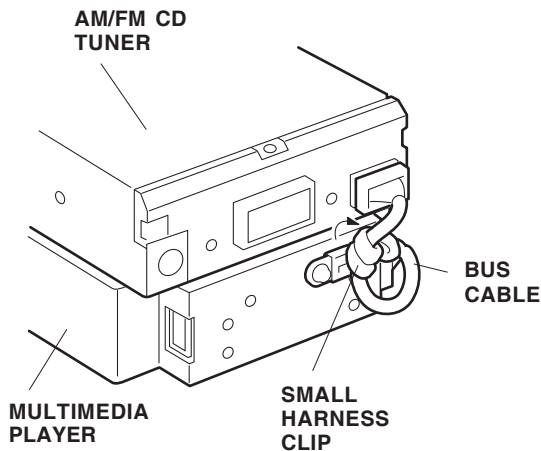


## Multimedia Player

- Plug the bus cable connectors into the rear of the AM/FM/CD tuner and multimedia player.
- Secure the small harness clip to the back of the multimedia player with a 4 x 8 mm washer-screw.

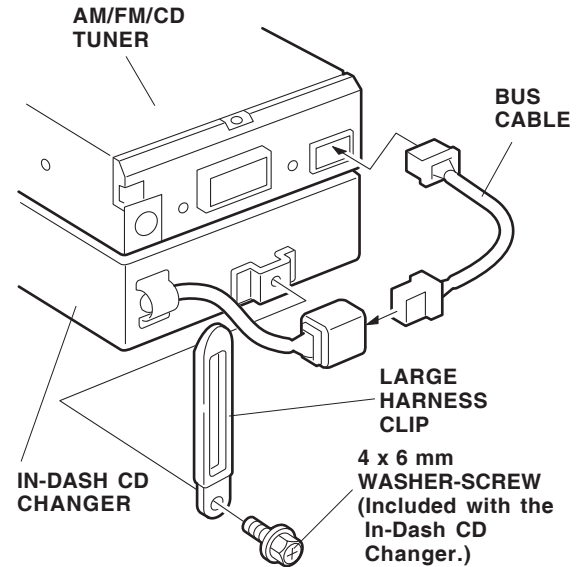


- Secure the bus cable with the small harness clip.

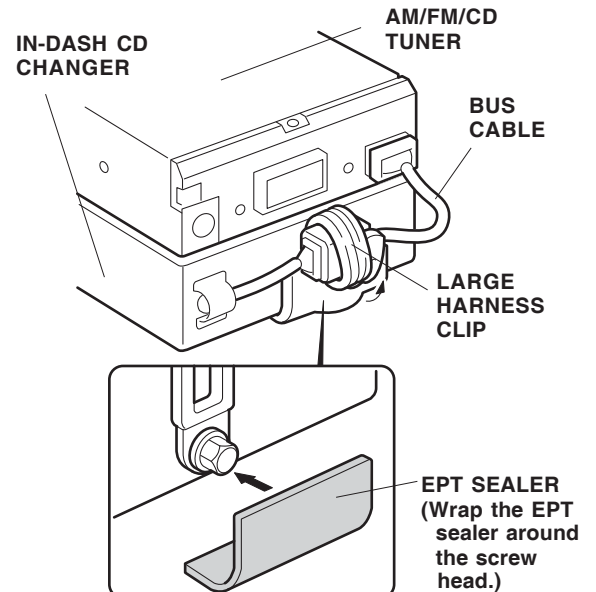


## In-dash CD Changer

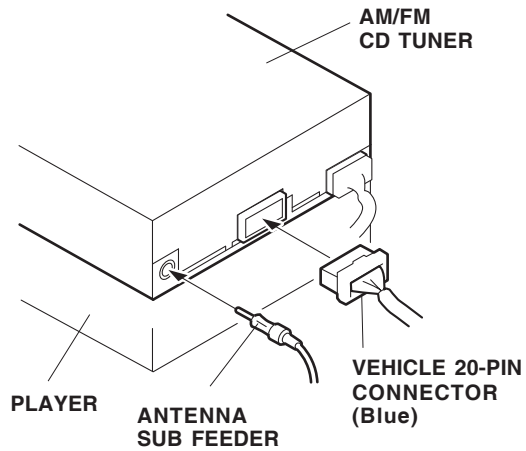
- Plug one bus cable connector into the rear of the AM/FM/CD tuner and the other into the connector from the in-dash CD changer.
- Secure the large harness clip to the rear of the in-dash CD changer with the 4 x 6 mm washer-screw included with the in-dash CD changer.



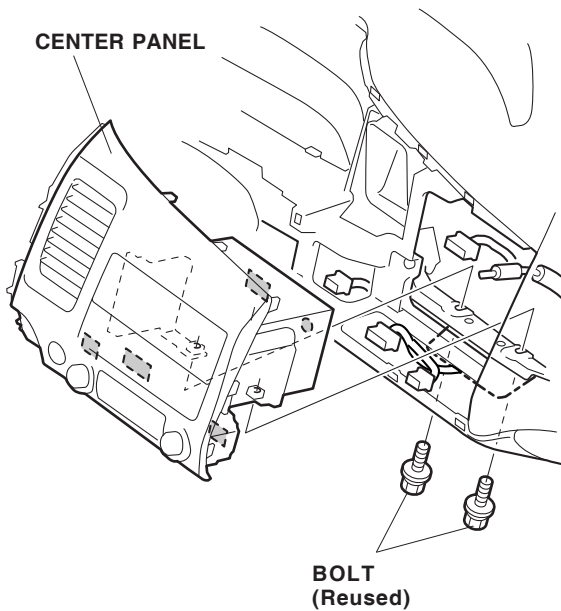
- Secure the bus cable connectors to the in-dash CD changer with the large harness clip. Get the EPT sealer from the attachment kit. Wrap the EPT sealer around the screw head in the area shown.



18. Plug the vehicle 20-pin connector (blue) and antenna subfeeder into the rear of the AM/FM/CD tuner.



19. Connect the vehicle connectors to the center panel, and reinstall the center panel.



20. Check that all wire harnesses are routed properly and all connectors are plugged in.
21. Reinstall all removed parts. Be sure that all retaining clips and tabs are securely fastened.
22. Reconnect the negative cable to the battery.
23. Enter the customer's audio unit anti-theft code, and reset the radio station presets.
24. Reset the clock.
25. Check the operation of the player as described in the user's information manual.
26. Put the accessory user's information manual in the glove box for your customer.
27. Initialize and test the front window up/down function.