

**INSTALLATION
INSTRUCTIONS**

Accessory

**ASHTRAY
P/N 08U25-S2A-110A**

Application

2009 S2000

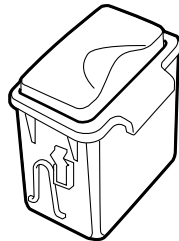
Publications No.

All 40443

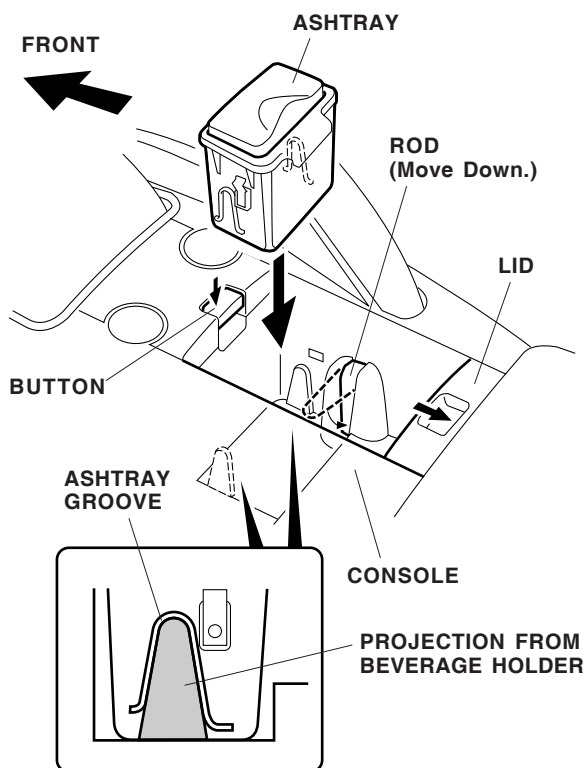
Issue Date

AUG 2008**PARTS LIST**

Ashtray

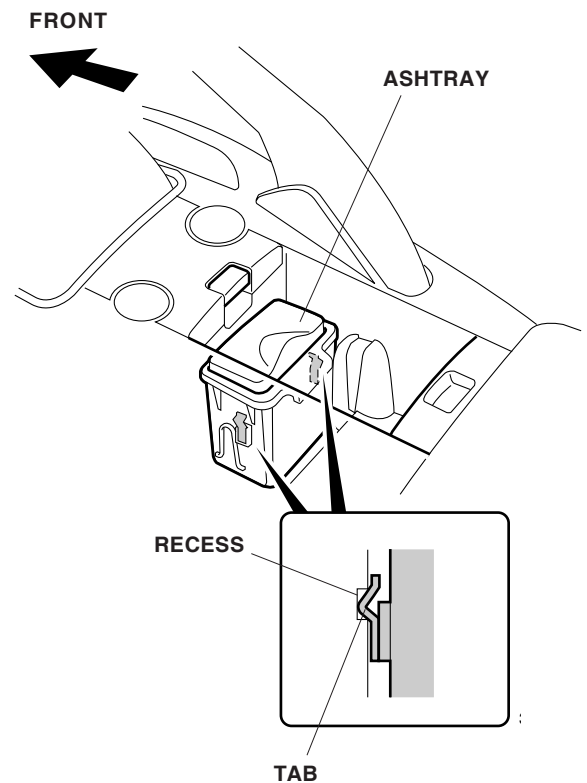
**INSTALLATION**

1. Push the button, and open the lid of the beverage holder.



2. Move the rod down into the store position.
3. Slide the ashtray into the holder in the direction shown. Align the projections from the beverage holder with the grooves on the ashtray.

4. Push the ashtray down until the right and left tabs of the ashtray engage with the recesses in the console.



5. Close the lid.