



# INSTALLATION INSTRUCTIONS

Accessory

**SNOWBOARD ATTACHMENT  
P/N 08L03-SCV-100**

Application

**2009 ODYSSEY**

Publications No.

**All 40250**

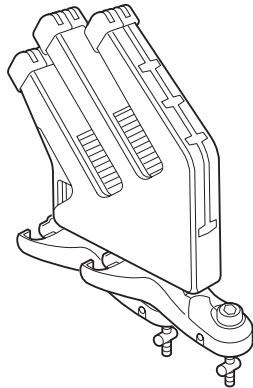
Issue Date

**AUG 2008**

**Put this information in the glove box with the vehicle owner's manual.**

## PARTS LIST

2 Snowboard carriers



4 Bottom clamps



16 Rubber blocks



4 TORX screws



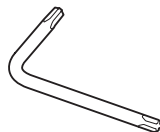
4 Board supports



2 Keys



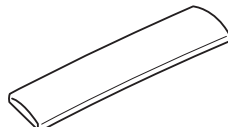
Torx wrench



2 Locking cables



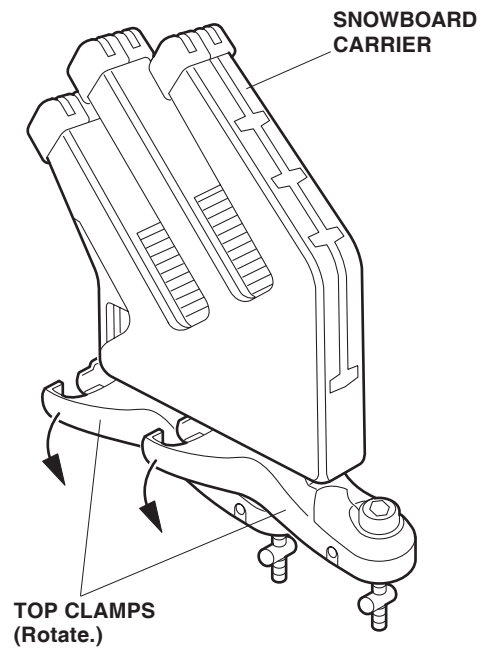
2 Board protectors



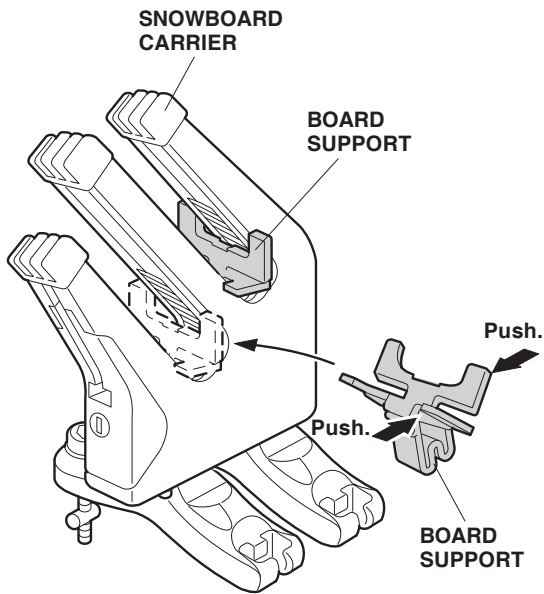
## INSTALLATION

**NOTE:** Be careful not to damage the body paint finish.

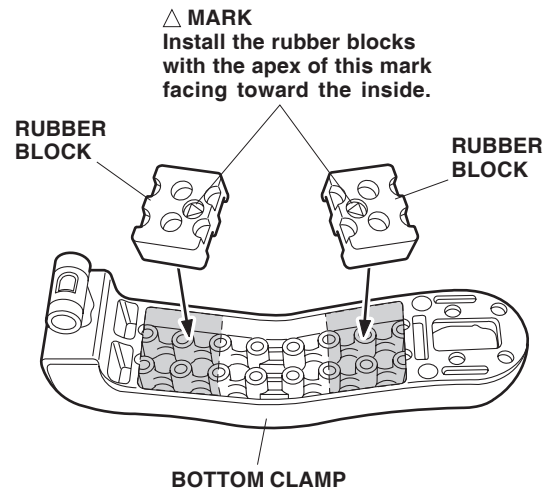
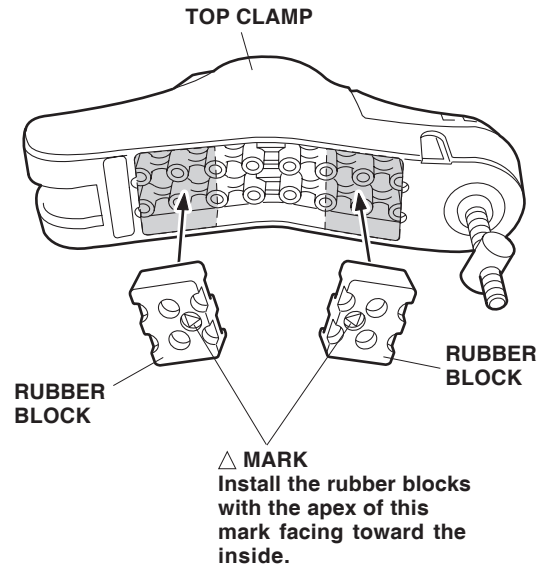
1. Rotate the two top clamps of the snowboard carrier perpendicular to the snowboard carrier.



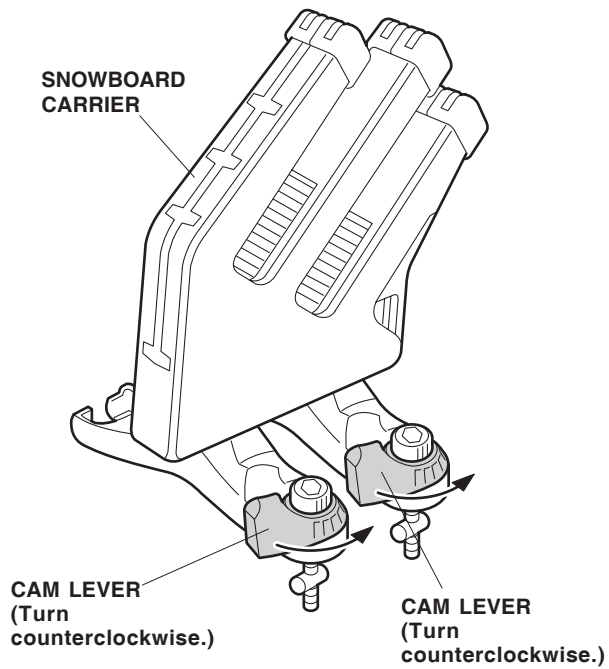
2. Install two board supports on the snowboard carrier.



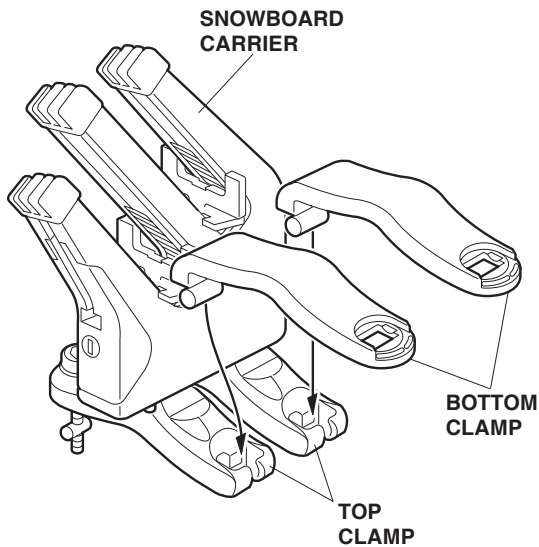
3. Install four rubber blocks on the top and bottom clamps. Install the rubber blocks with the apex of each triangular mark "△" facing toward the inside.



- Turn the cam levers on the top clamp counterclockwise.

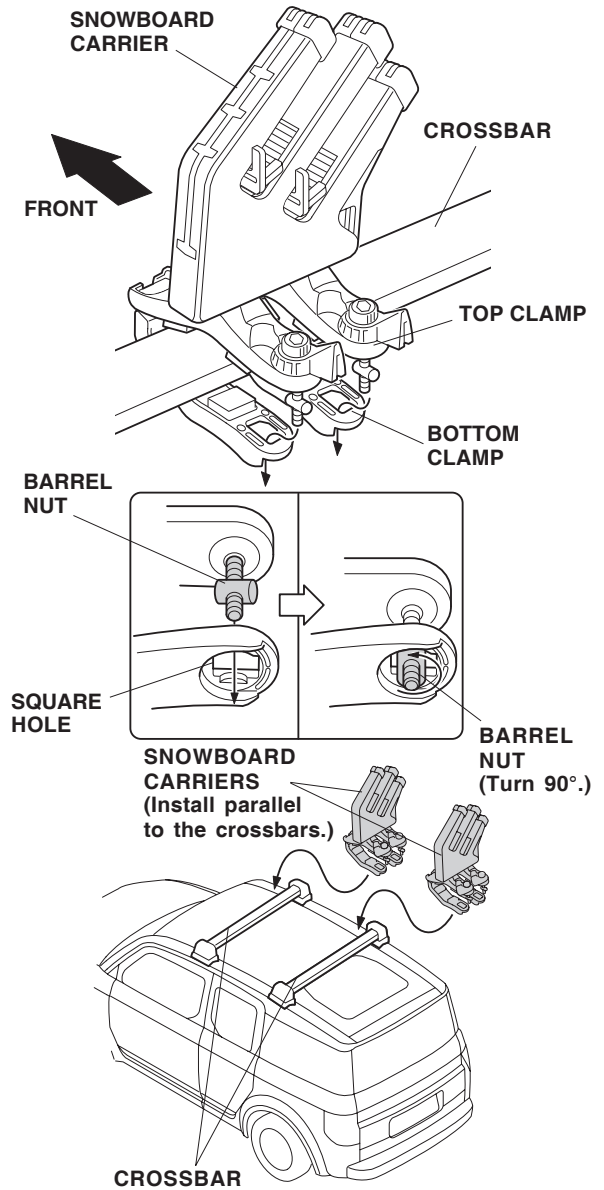


- Attach the two bottom clamps to the two top clamps.

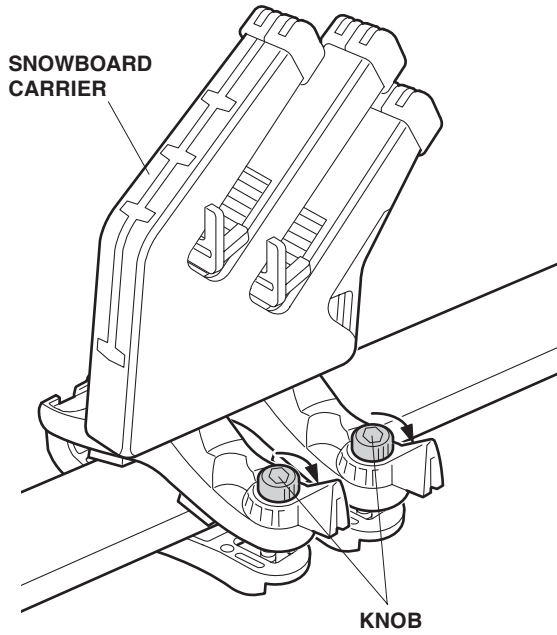


- Repeat steps 1 thru 5 to assemble the other carrier.

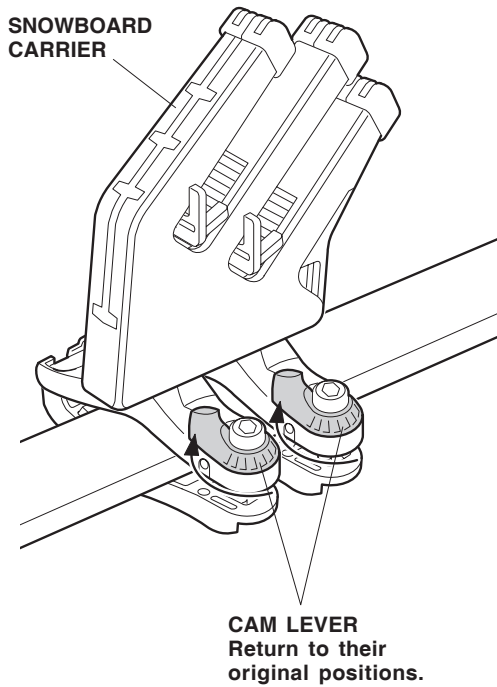
- Attach one carrier to the front crossbar in the direction shown. Insert the barrel nuts on the top clamp into the square holes in the bottom clamp, then turn the nuts 90° to lock them into position. Install the other carrier to the rear crossbar the same way. Make sure the rear crossbar is parallel to the front crossbar.



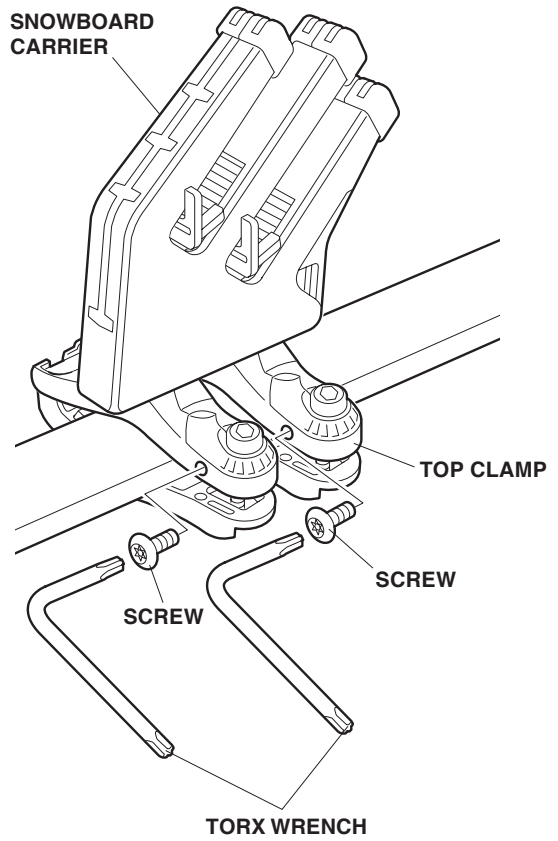
8. Turn the knobs on the top clamp to tighten the front carrier.



9. Return the cam levers to their original positions (turn clockwise).

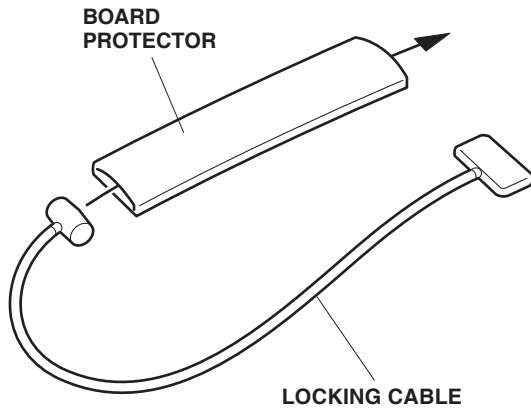


10. To prevent theft, install the screws in the holes in the top clamps using a TORX wrench.

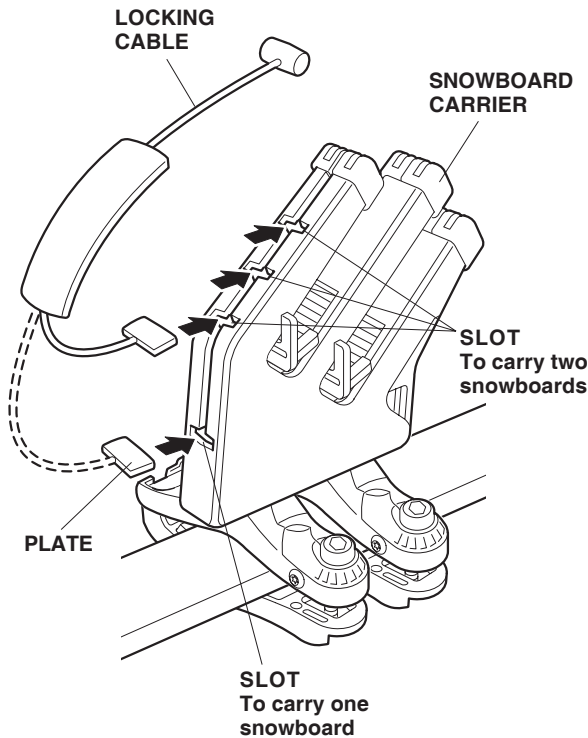


11. Repeat steps 8 thru 10 to tighten the other carrier.
12. Rock the snowboard carriers to make sure they are securely installed.

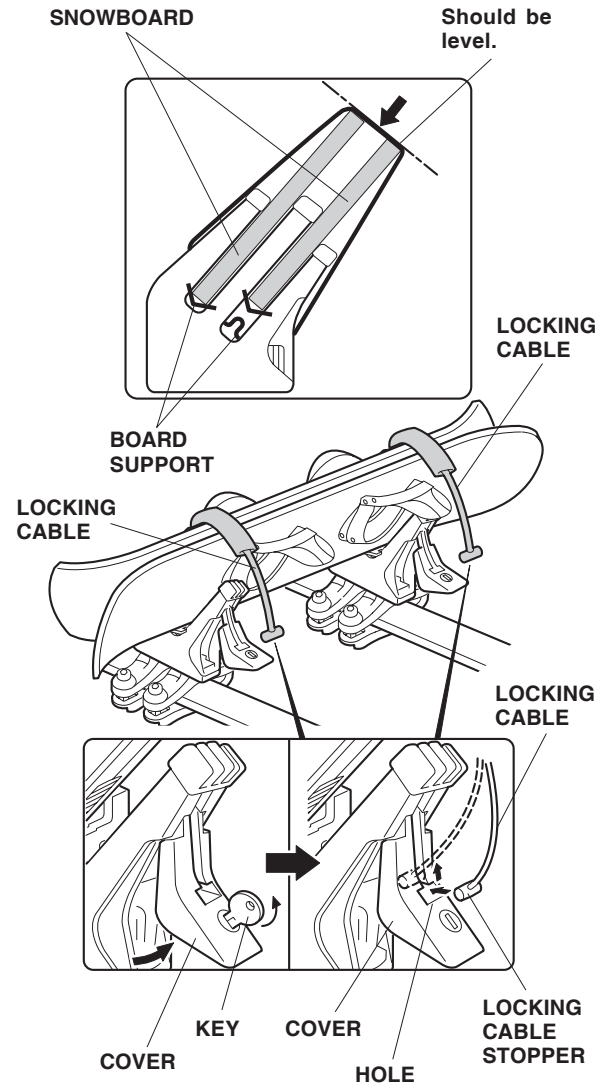
- Thread the locking cable through the board protector.



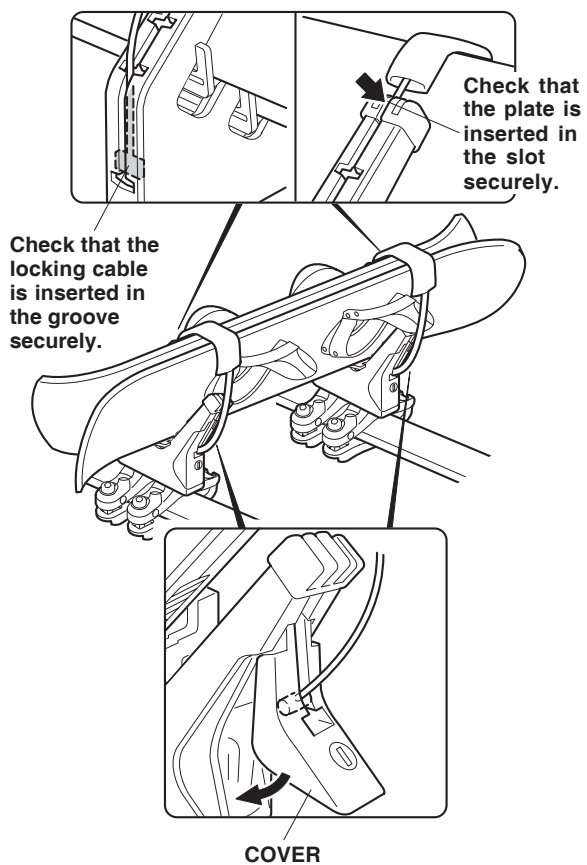
- Insert the locking cable plate into the slot of the snowboard carrier: To carry one snowboard, insert the plate into the lowest slot. To carry two snowboards, use one of the upper three slots in the carrier.



- After loading the snowboards on the carrier, adjust them with the help of the board supports so that the top edges are level and the boards are as far down in the carrier as possible. To secure the snowboards, use the key to open the covers and insert the locking cable stoppers into the holes of the carrier covers.



16. Check that the locking cables are installed securely, then close the covers.



17. The cover must be locked during transportation.

