



# INSTALLATION INSTRUCTIONS

Accessory

**DOOR VISORS**  
P/N 08R04-SHJ-100A

Application

**2009 ODYSSEY**

Publications No.

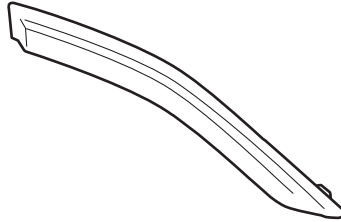
**All 40232**

Issue Date

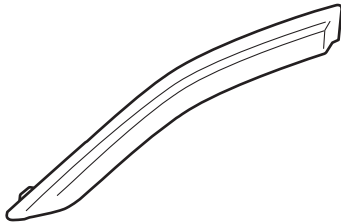
**AUG 2008**

## PARTS LIST

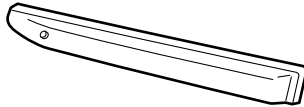
Right front door visor



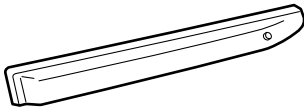
Left front door visor



Right rear door visor



Left rear door visor



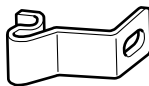
2 Rivet clips



2 Washers



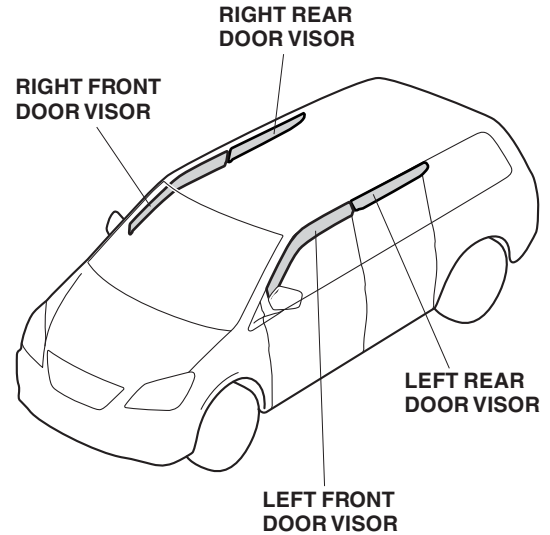
2 Brackets



## SUPPLIES REQUIRED

Isopropyl alcohol  
Shop towel  
Masking tape  
Tape measure  
Scale

## Illustration of the Door Visors Installed on the Vehicle



## INSTALLATION

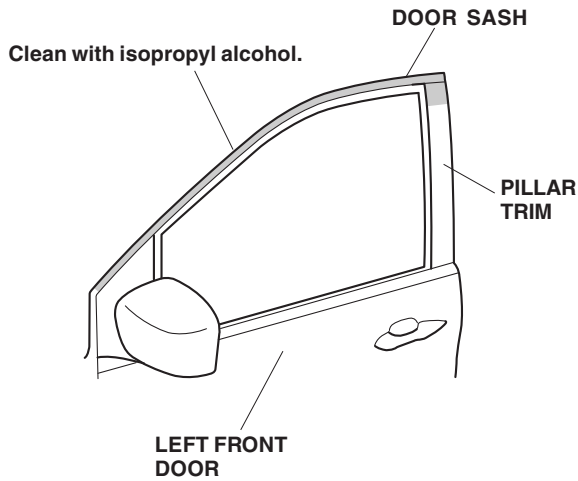
**Customer Information:** The information in this installation instruction is intended for use only by skilled technicians who have the proper tools, equipment, and training to correctly and safely add equipment to your vehicle. These procedures should not be attempted by "do-it-yourselfers."

### NOTE:

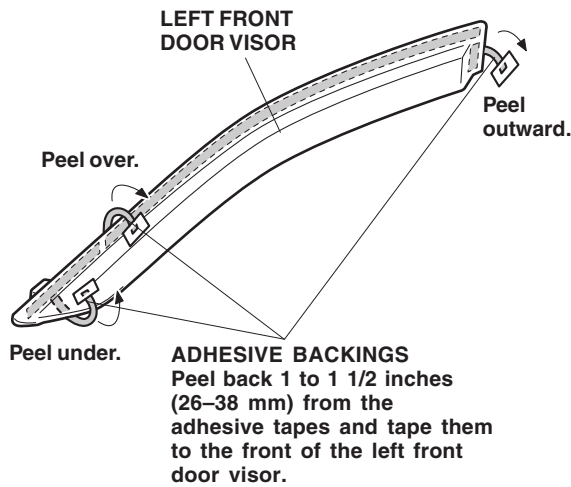
- These instructions show the left door visor being installed. The same procedure applies to installing the right door visor.
- Do not damage the paint finish and glass run channels when installing the door visors.
- Handle the door visors with care. They are not designed to absorb shock or impact.
- This door visor kit should only be installed if the ambient air temperature is 60°F (15°C) or above.
- To allow the adhesive to cure, do not wash the vehicle for 24 hours. Advise the customer to do the same.

## Installing the Front Door Visor

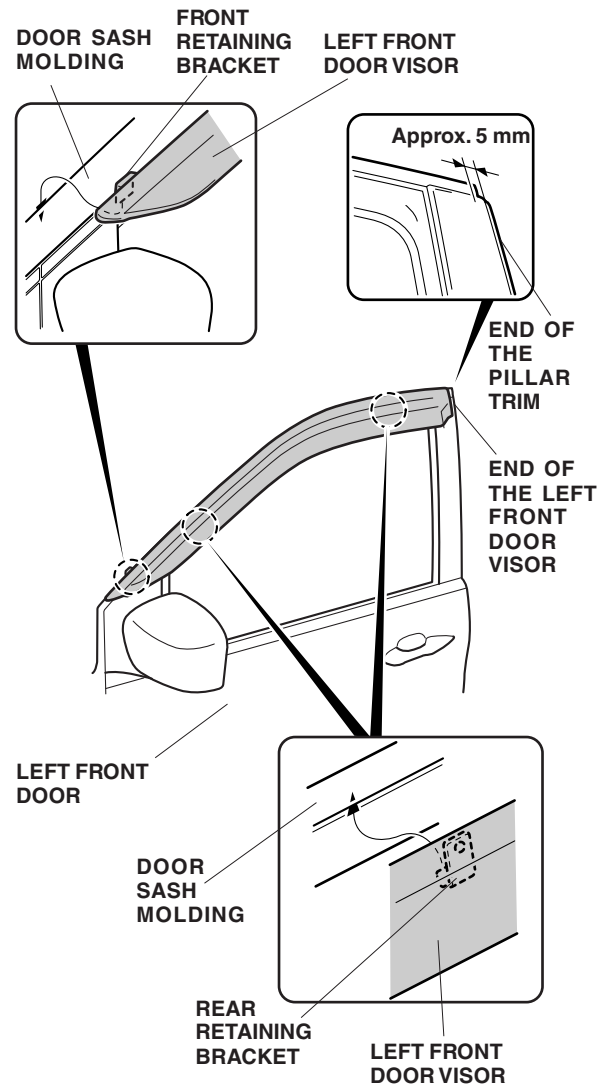
1. Fully open the left front door window.



2. Using isopropyl alcohol on a clean shop towel, clean the area as shown.
3. On the back of the left front door visor, peel back 1 to 1 1/2 inches (26–38 mm) of the adhesive backings, and tape them to the front surface of the left front door visor with masking tape.



4. Position the left front door visor on the left front door. There should be approximately 5 mm between the end of the left front door visor and the end of the pillar trim.

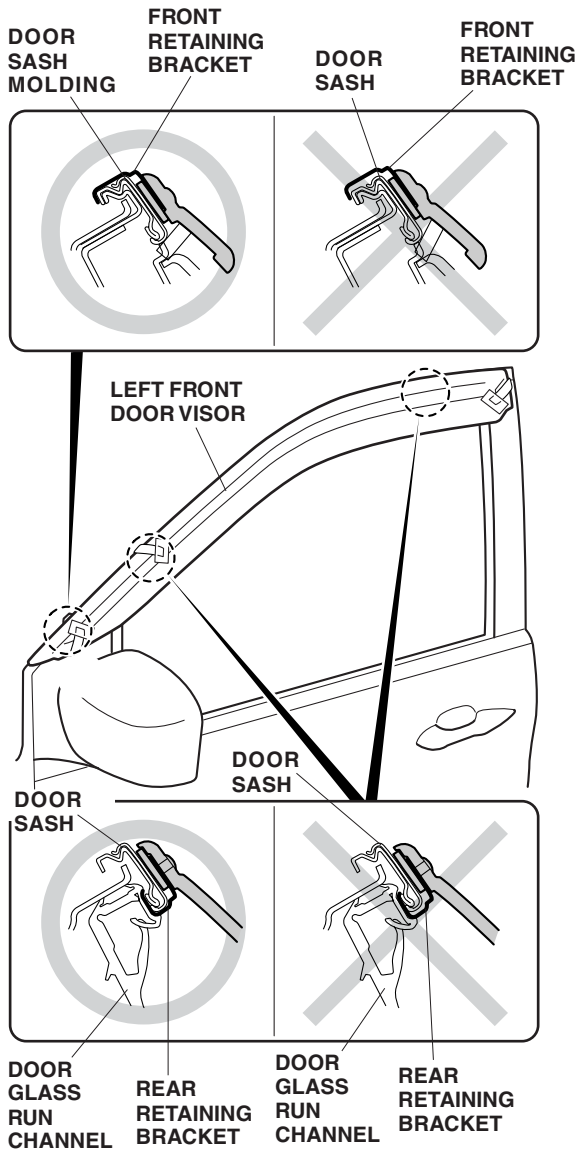


5. Hook the front retaining bracket into the door sash; push two rear retaining brackets into the door sash molding.

Make sure the front retaining bracket is securely inserted into the door sash when inserting the two rear retaining brackets.

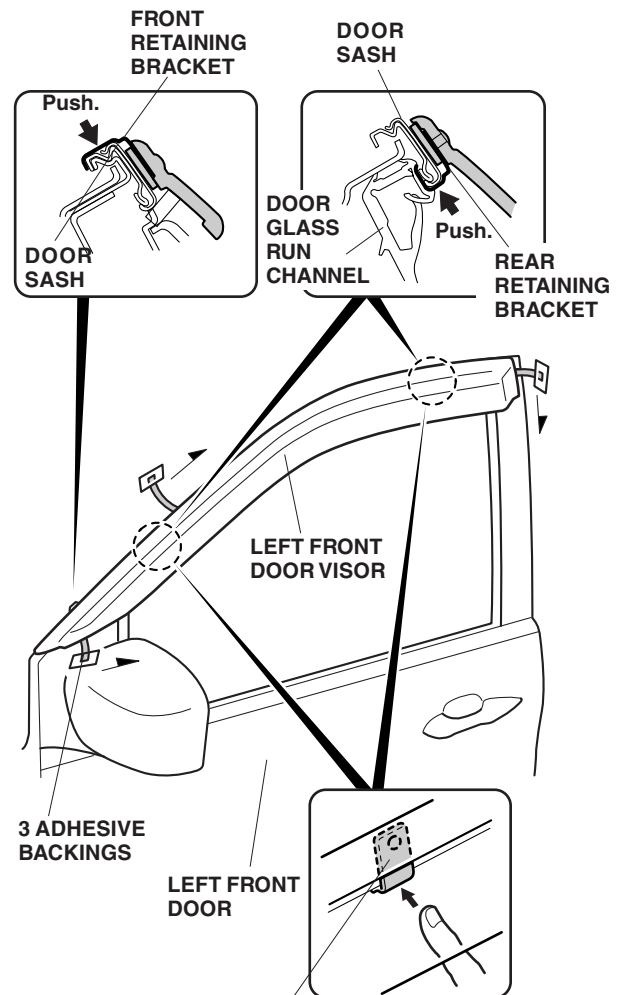
6. Adjust the position of the left front door visor.

Make sure that there is no clearance between the brackets and the door sash molding.



7. While applying light pressure on the left front door visor, carefully remove the adhesive backings.

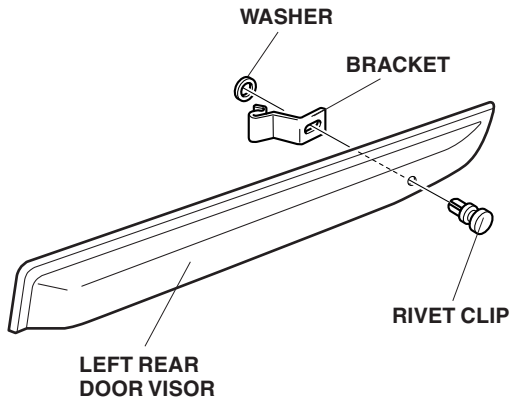
- Check that the two rear retaining brackets are installed in the door sash molding properly.
- Press on the two rear retaining brackets when removing the adhesive backings.
- After removing the adhesive backings, hold the left front door visor firmly against the door sash molding with the palm of your hand, particularly at the edges.



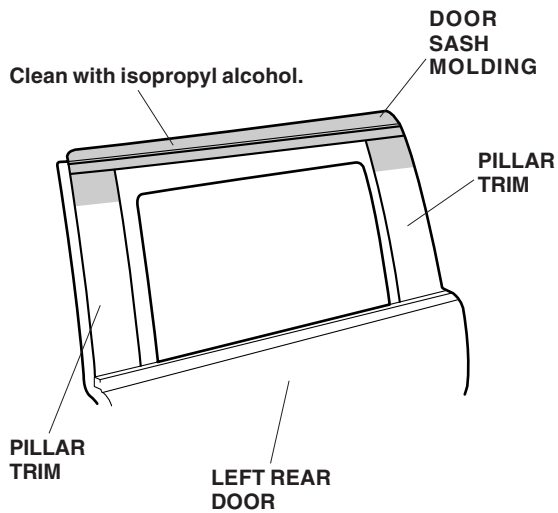
**REAR RETAINING BRACKET**  
Press on the door visor firmly while removing the adhesive backings.

## Installing the Rear Door Visor

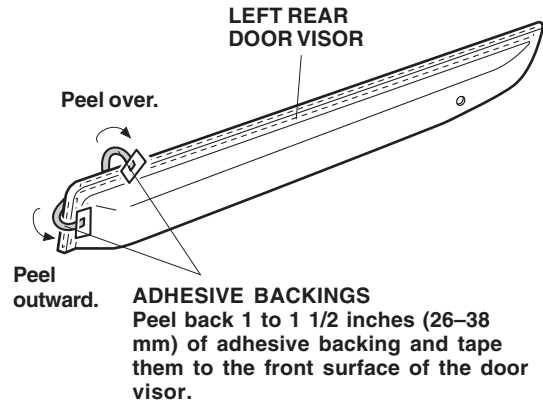
8. Fully open the left rear door window.



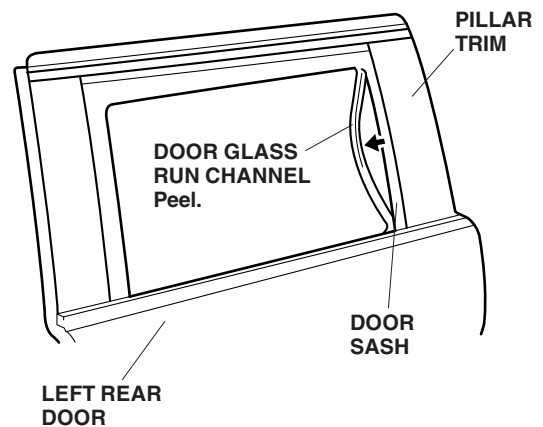
9. Install the bracket on the left rear door visor hole using one rivet clip and one washer.  
10. Using isopropyl alcohol on a clean shop towel, clean the area as shown.



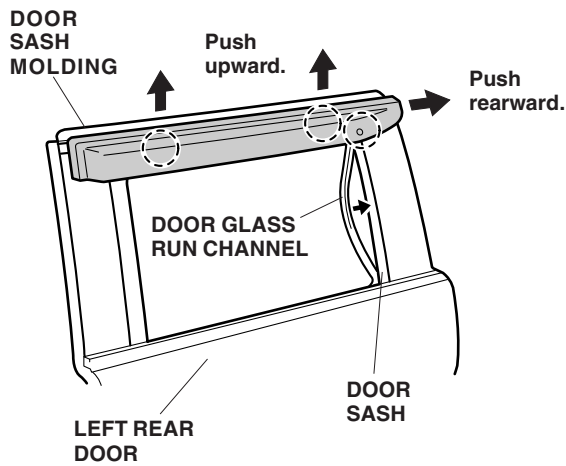
11. On the back of the left rear door visor, peel back 1 to 1 1/2 inches (26–38 mm) of the adhesive backings, and tape them to the front surface of the left rear door visor with a masking tape.



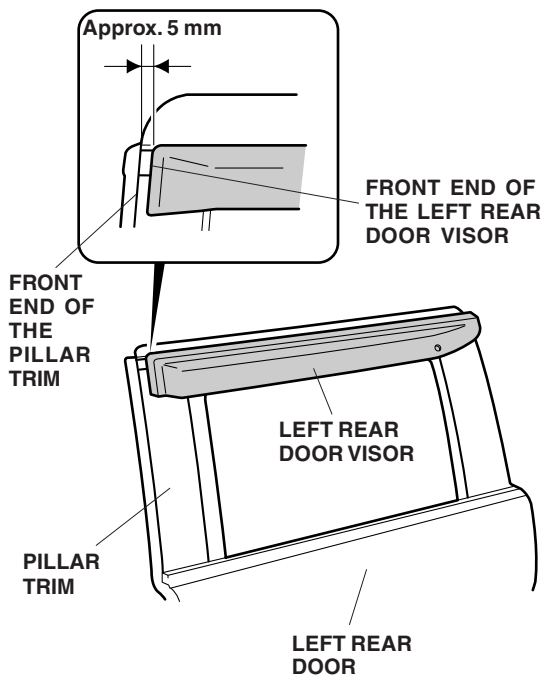
12. Peel the door glass run channel from the door sash as shown.



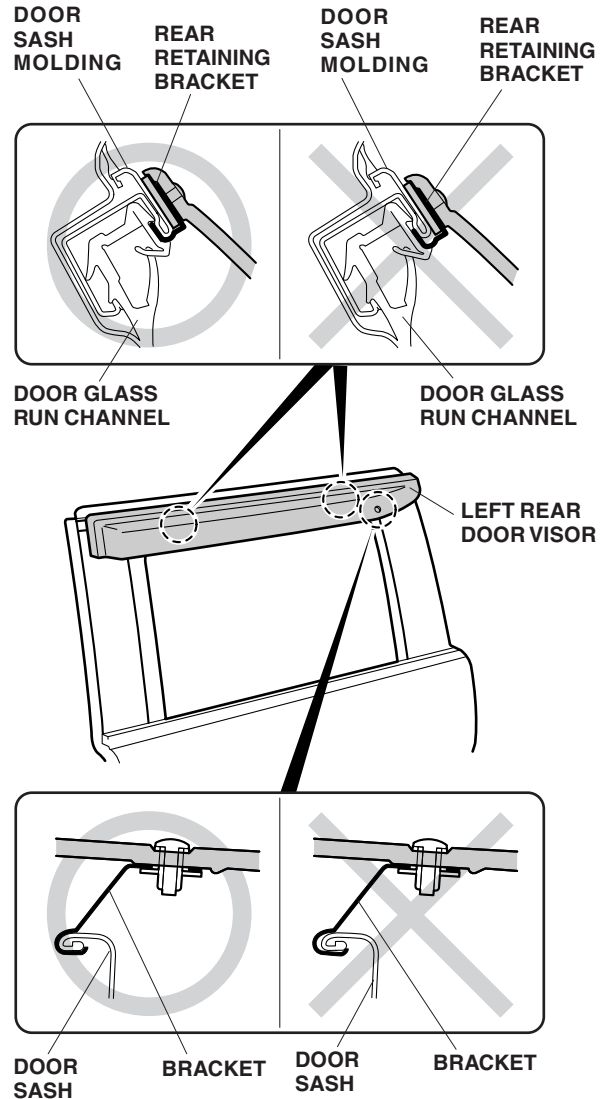
- Position the left rear door visor on the door sash. First insert the bracket rearward into the door sash. Then push the two retaining brackets upward into the door sash molding.



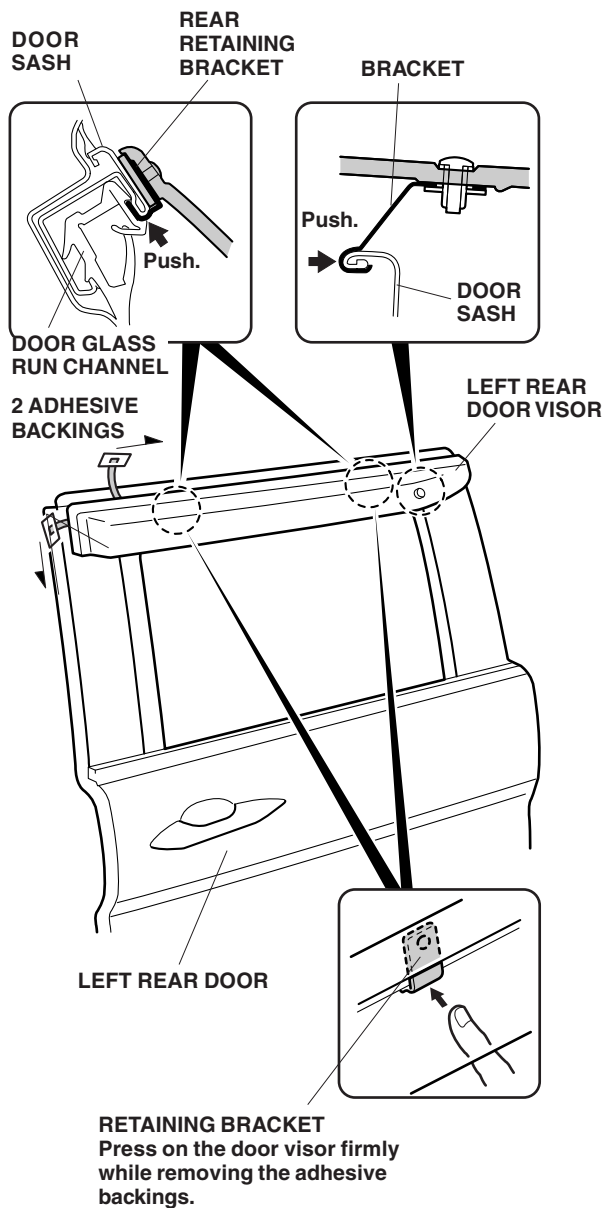
- Reinstall the door glass run channel to the door sash.
- Position the left rear door visor on the left rear door. There should be approximately 5 mm between the front end of the left rear door visor and the front end of the pillar trim.



- Adjust the position of the left rear door visor. Make sure that there is no clearance between the brackets and the door sash.



17. While applying pressure on the left rear door visor, carefully remove the adhesive backings.
  - Check that the bracket is installed in the door sash properly.
  - Press on the two retaining brackets when removing the adhesive backings.
  - After removing the adhesive backings, hold the left rear door visor firmly against the door sash with the palm of your hand, particularly at the edges.



18. Repeat steps 1 thru 17 to install the door visors on the right side of the vehicle.
19. Raise and lower all the windows several times to seat the door glass run channels.
20. Check the window operation.

### USE AND CARE

- When the door visor is dirty, clean it with a soft cloth dampened with water.
- When the door visor is very dirty, clean the door visor with a neutral detergent and water. Do not use a volatile solvent (thinner, benzine, alcohol, etc.) or a cleaner containing abrasive material.