



INSTALLATION INSTRUCTIONS

Accessory
B-PILLAR TRIMS
P/N 08F30-TK6-100

Application
2009 FIT

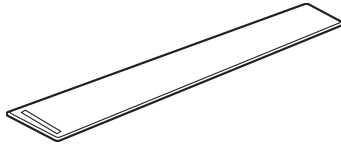
Publications No.
All 39851

Issue Date
AUG 2008

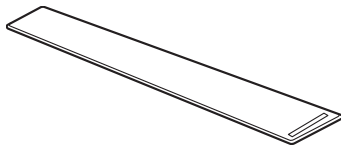
PARTS LIST

B-pillar trims can not be installed if the vehicle is equipped with Door Visors.

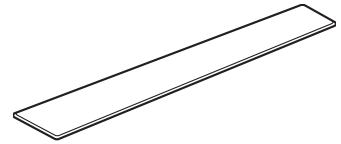
Left front B-pillar trim



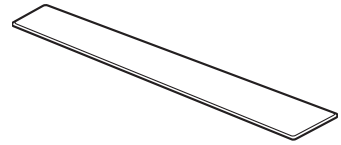
Right front B-pillar trim



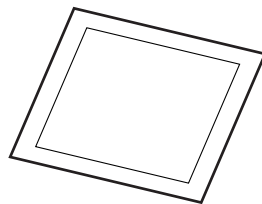
Left rear B-pillar trim



Right rear B-pillar trim



2 Alcohol swabs



TOOLS AND SUPPLIES REQUIRED

Rubber roller (T/N: EQSE54D)

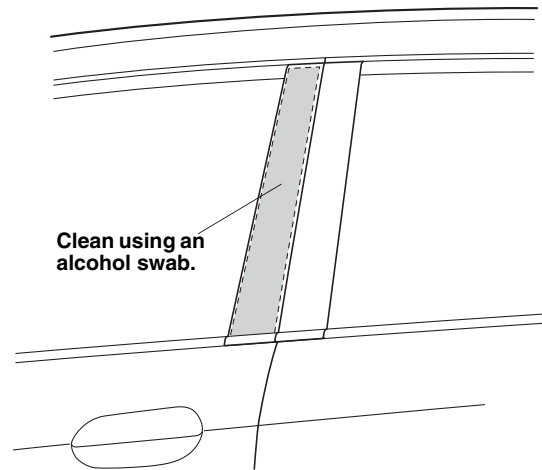
INSTALLATION

NOTE:

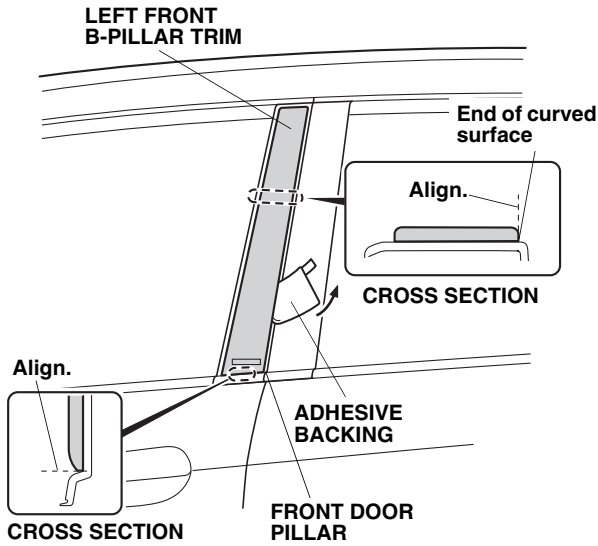
- Be careful not to damage the body paint finish.
- These B-pillar trims kit should be installed only if the ambient air temperature is above 15°C (60°F).
- To allow the adhesive to cure, do not wash the vehicle for 24 hours.
- These installation instructions show the left B-pillar Trims being installed. The same procedure applies to installing the right B-pillar Trims.

Installing the Front B-pillar Trims

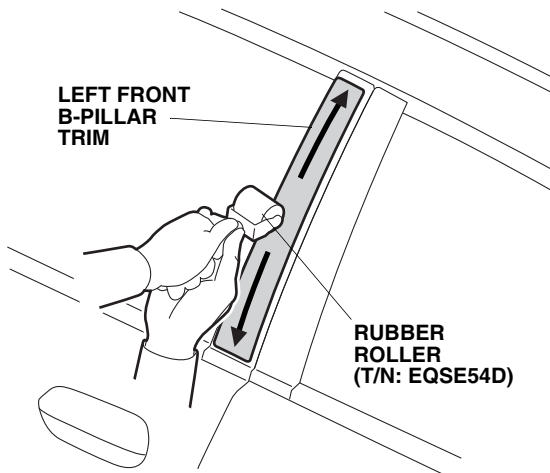
1. Using an alcohol swab, thoroughly clean the area where the left front B-pillar trim will attach.



2. Peel back approximately 3 inches of adhesive backing from the left front B-pillar trim and fold it up diagonally as shown. Align the left front B-pillar trim on the front door pillar as shown. While applying pressure on the trim, carefully remove the adhesive backing.

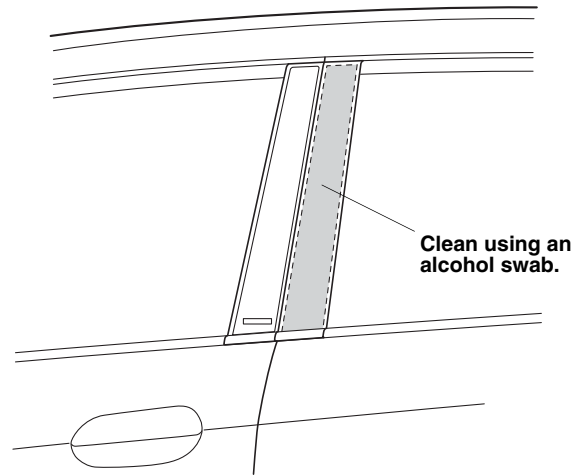


3. Using the rubber roller, apply pressure to set the adhesive.

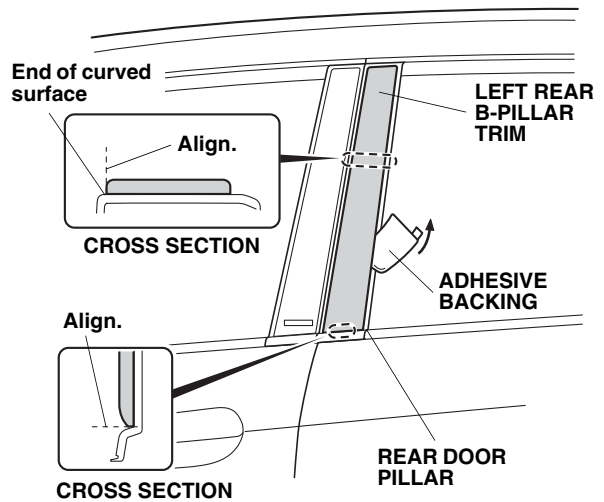


Installing the Rear B-pillar Trims

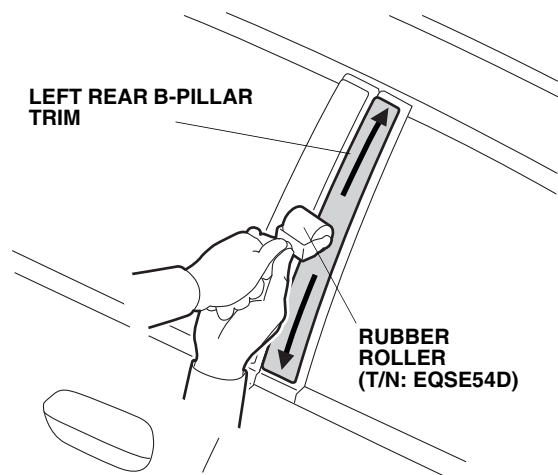
4. Using an alcohol swab, thoroughly clean the area where the left rear B-pillar trim will attach.



5. Repeat step 2 to install the left rear B-pillar trim.



6. Using the rubber roller, apply pressure to set the adhesive.



7. Repeat the steps 1 through 6 to install the right B-pillar trims.