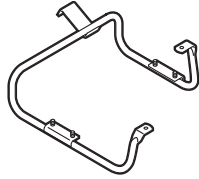


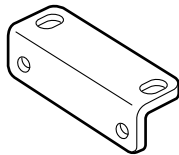
## PARTS LIST

### CD Changer Attachment (Sold Separately): P/N 08B26-SVA-100

CD changer bracket



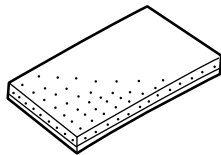
2 Side brackets



3 Clip nuts



3 EPT seals  
(Some may not be used.)



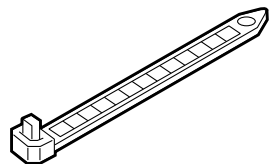
3 Washer-bolts



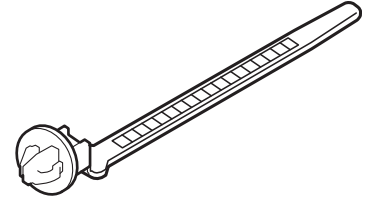
4 Flange nuts



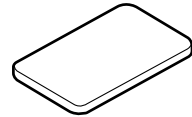
15 Wire ties  
(Some may not be used.)



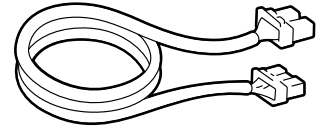
2 Wire ties with clip  
(Some may not be used.)



9 Cushion tapes



Bus cable

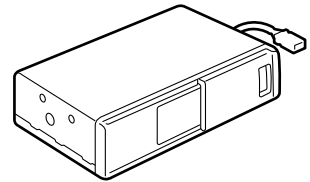


4 Washer screws, 4 x 8 mm

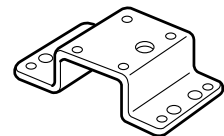


### CD Changer Kit (sold separately): P/N 08A26-5E1-101

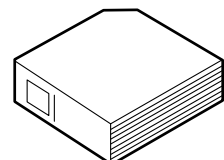
CD changer



Bracket  
(Not used)



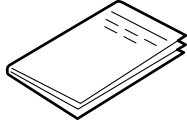
8-Disc CD magazine



- 8 Washer-screws, 4 x 6 mm  
(Not used)

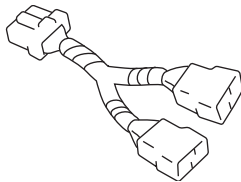


Accessory User's Information Manual



**For vehicles equipped with XM radio system  
Bus Cable 2 Port (sold separately):  
P/N 08A31-0F1-000**

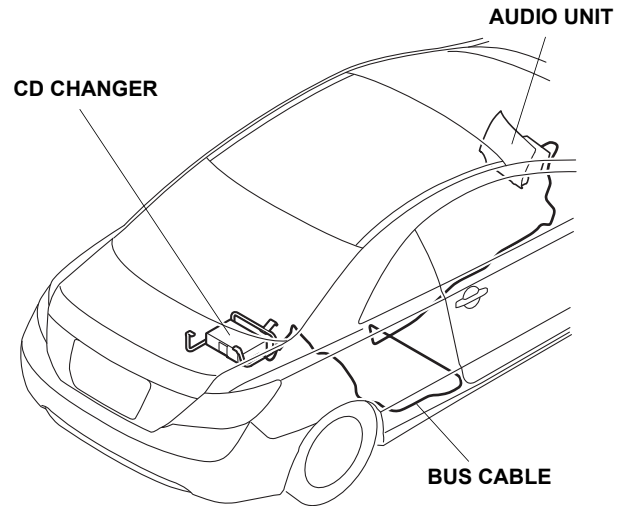
Bus cable 2 Port



## TOOLS AND SUPPLIES REQUIRED

Phillips screwdriver  
Flat-tip screwdriver  
Stubby Phillips screwdriver  
10 mm and 14 mm Combination wrenches  
Plastic Trim Tool (T/N SILTRIMTL10)  
10 mm and 14 mm Sockets  
Ratchet  
Small flat-tip screwdriver  
Isopropyl alcohol  
Shop towel  
Masking tape  
Diagonal cutters  
Ruler

## Illustration of the CD Changer Installed on the Vehicle

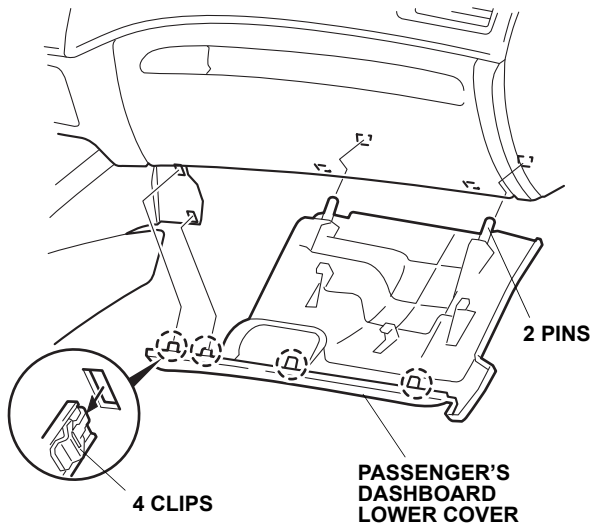


## INSTALLATION

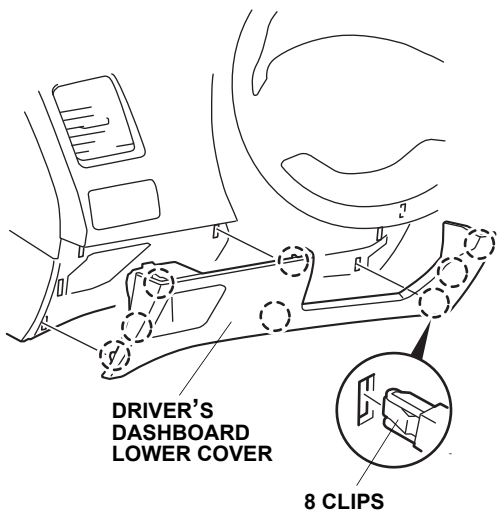
**Customer Information:** The information in this installation instruction is intended for use only by skilled technicians who have the proper tools, equipment, and training to correctly and safely add equipment to your vehicle. These procedures should not be attempted by "do-it-yourselfers."

1. Make sure you have the anti-theft codes for the audio and navigation system (if equipped), then write down the audio presets.
2. Disconnect the negative cable from the battery.

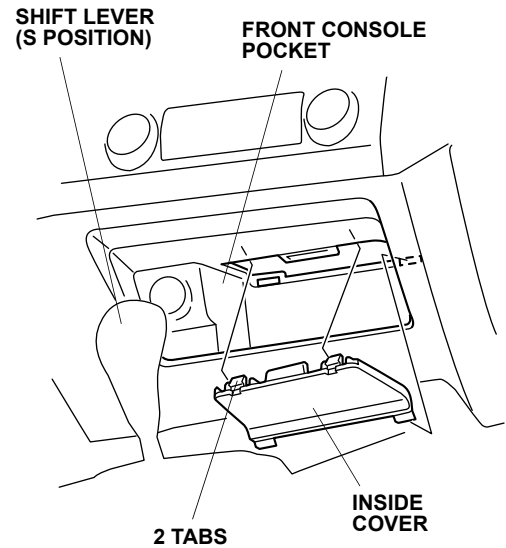
- Remove the passenger's dashboard lower cover (four clips and two pins).



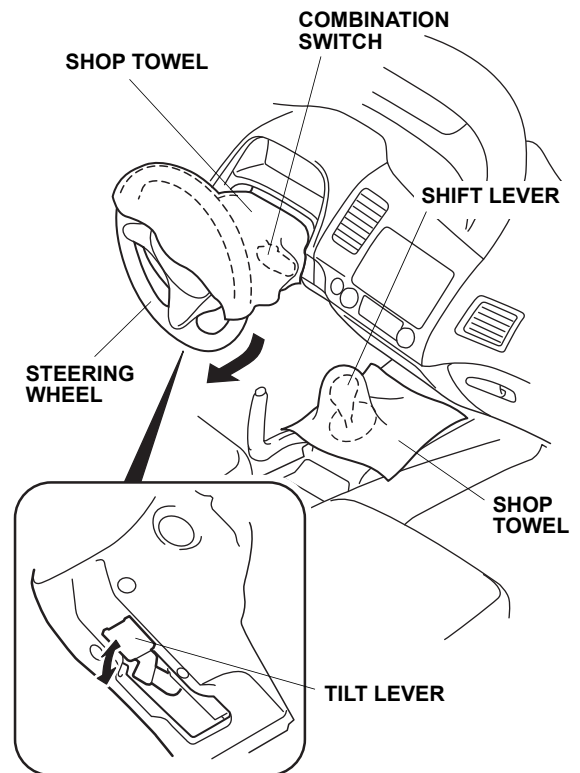
- Remove the driver's dashboard lower cover (eight clips).



- Remove the inside cover from the front console pocket (two tabs).

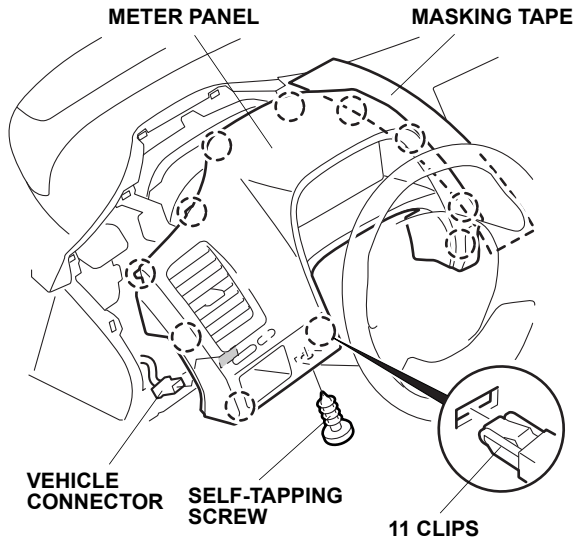


- Lower the tilt lever and pull the steering wheel toward you.

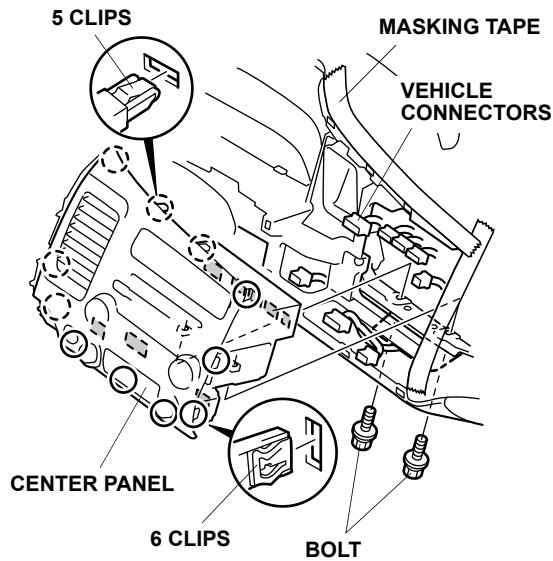


- To protect the dashboard area, place a shop towel over the steering wheel and shift lever.

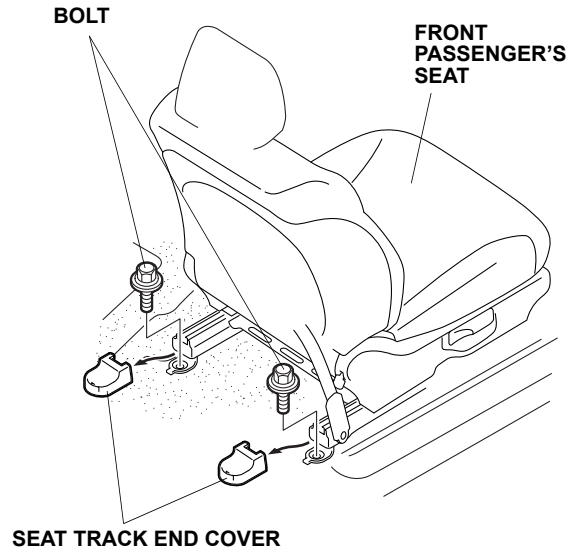
- Apply masking tape to the instrument panel as shown, and remove the meter panel (one self-tapping screw and 11 clips, and unplug the vehicle connector).



- Apply masking tape to the instrument panel as shown, and remove the center panel (two bolts and 11 clips, and unplug the vehicle connectors).



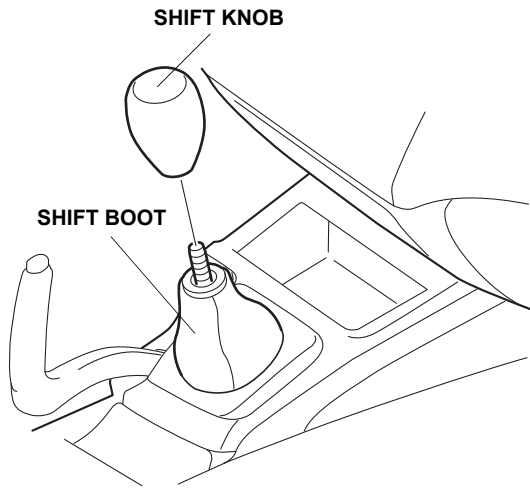
- Remove the two seat track end covers from the rear side of the front passenger's seat, then remove the two bolts that secure the seat.



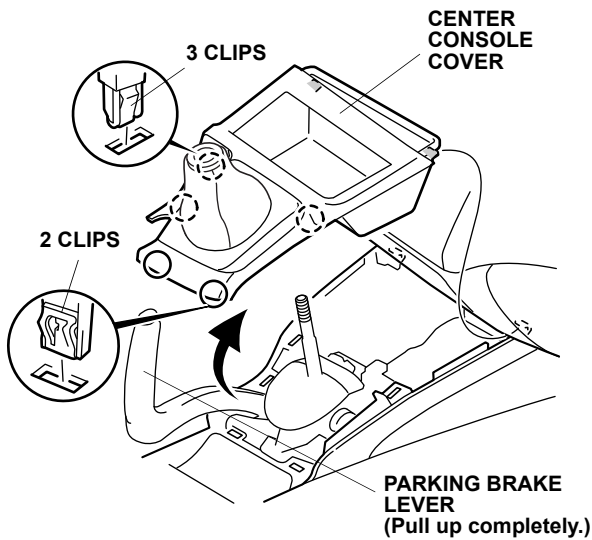
11. Remove the center console cover:

M/T Vehicle

- Pull down on the shift boot. Remove the shift knob by turning it counterclockwise.

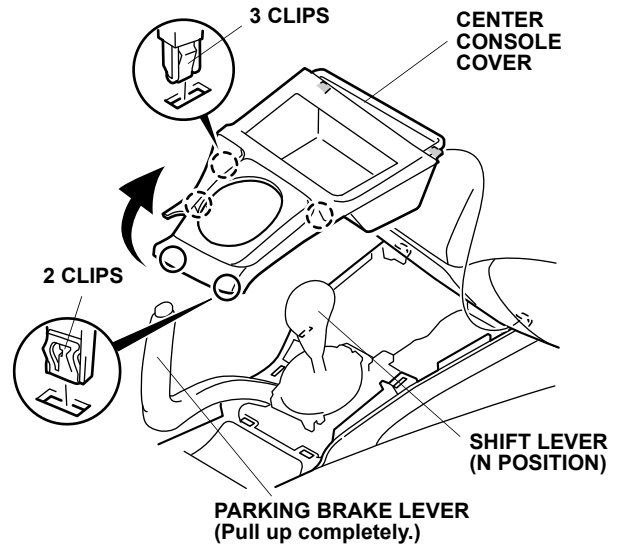


- Remove the center console cover by removing the five clips fastening the center console cover.

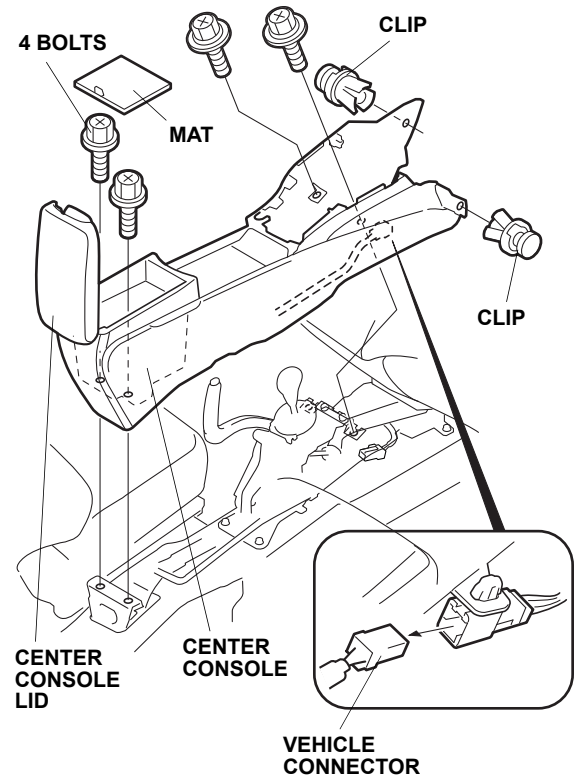


A/T Vehicle

Remove the center console cover (five clips).

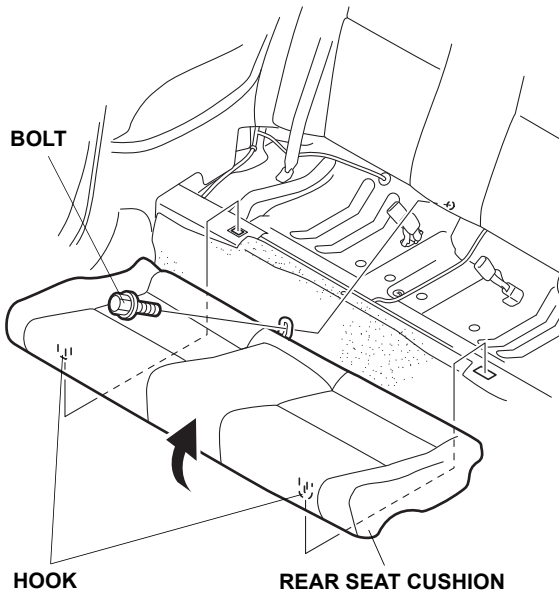


12. Open the center console lid, and remove the mat.

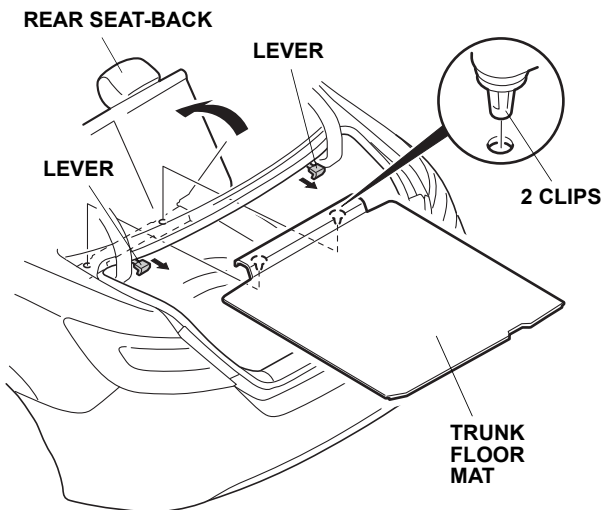


13. Remove the center console (four bolts and two clips, and unplug the vehicle connector).

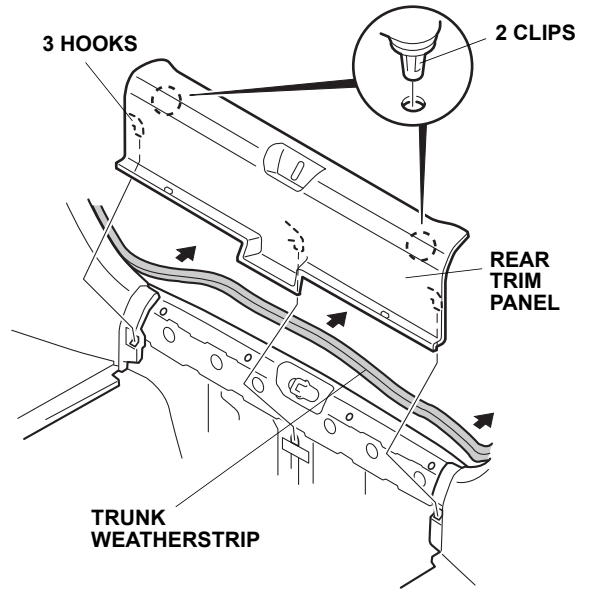
14. Inside the passenger's compartment, remove the rear seat cushion by removing the bolt and releasing the two hooks.



15. Open the trunk lid, fold the rear seat-back forward by pulling the levers under the rear shelf. Remove the trunk floor mat (two clips).

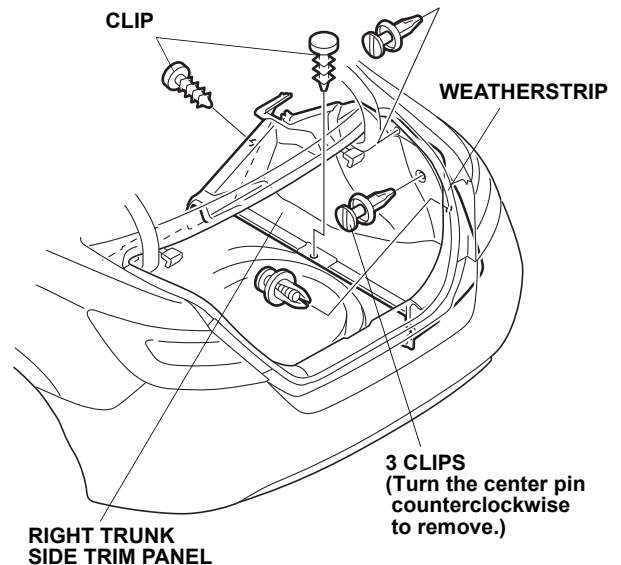


16. Remove the trunk weatherstrip from the edge of the trunk opening in the area shown.



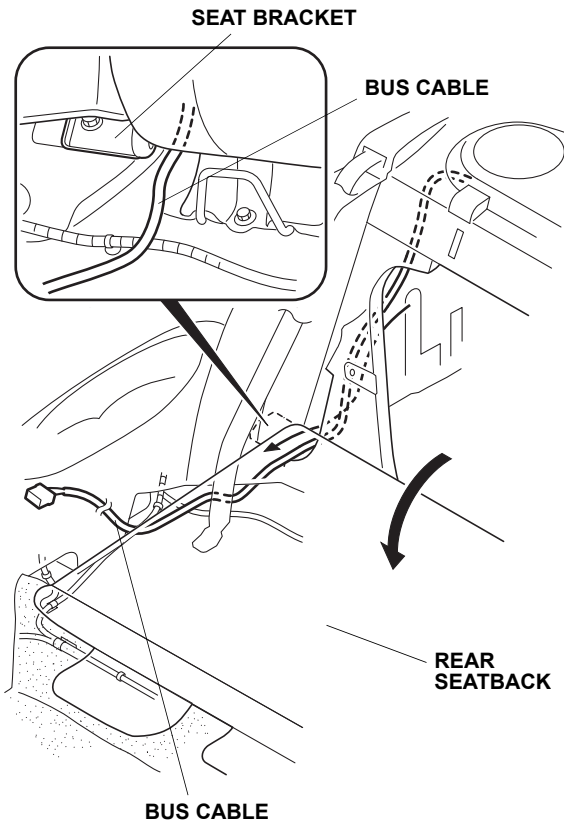
17. Remove the rear trim panel (two clips and three hooks).

18. Continue removing the weatherstrip in the area shown. Remove the five clips, then pull out on the right trunk side trim panel in the direction shown.

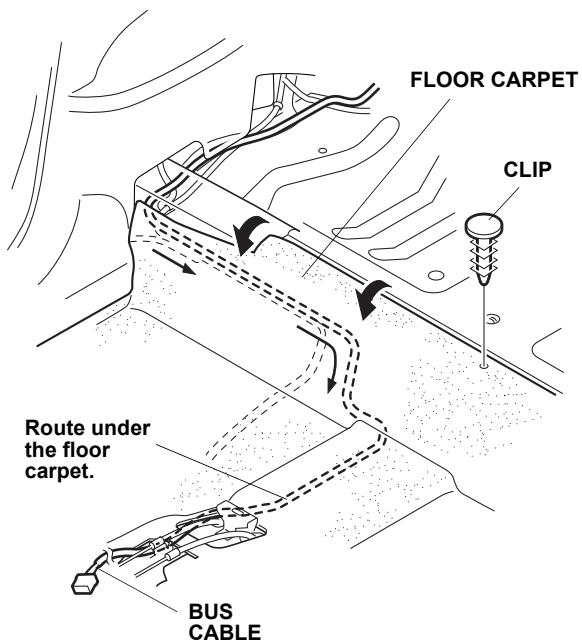


## Routing the bus cable

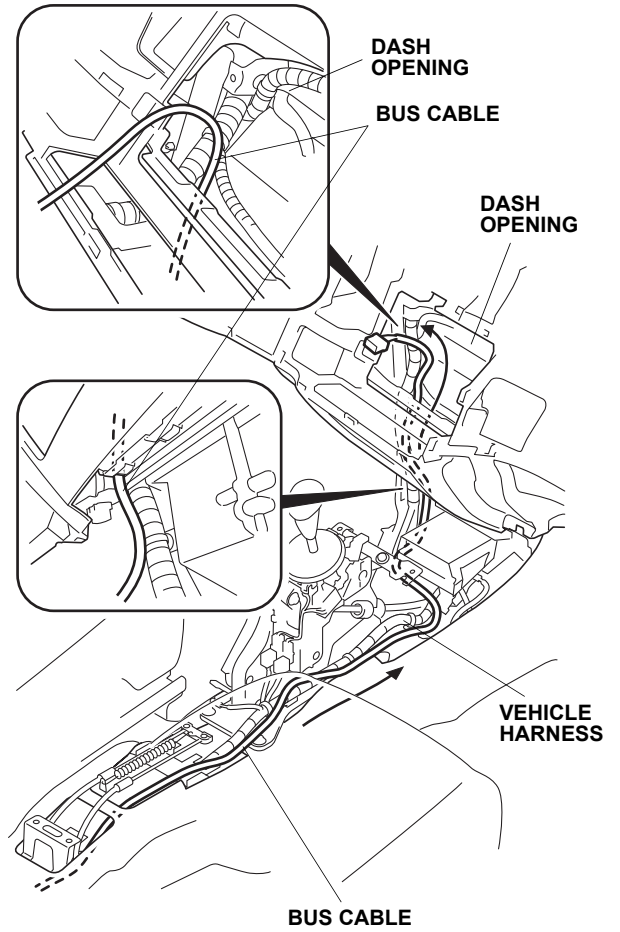
19. Route the bus cable from the trunk along the vehicle harness.



20. Lift up and lock the right rear seat-back, then remove the clip that secures the floor carpet. Pull back the floor carpet. Route the bus cable under the floor carpet as shown.

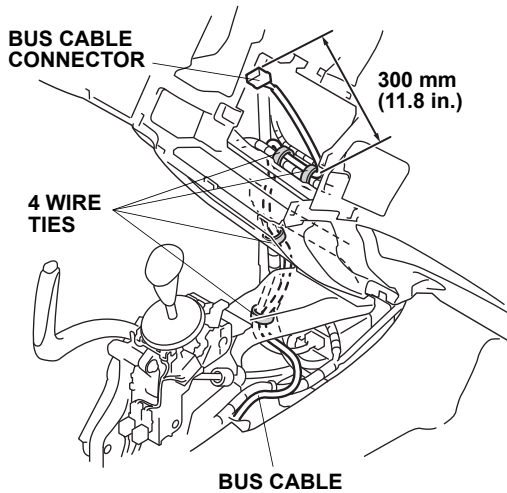


21. Route the bus cable forward to the right front console frame along the vehicle harness.

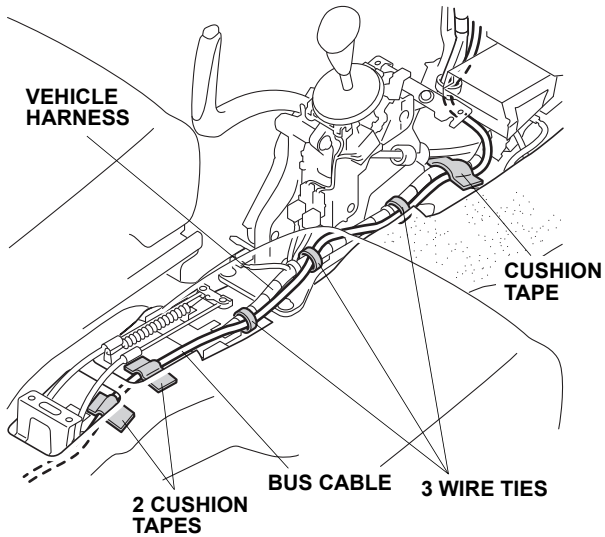


22. Continue routing the bus cable to the dashboard and out through the dash opening.

23. Measure 300 mm (11.8 in.) from the end of the bus cable, then secure the bus cable to the vehicle harness with four wire ties in the areas shown.

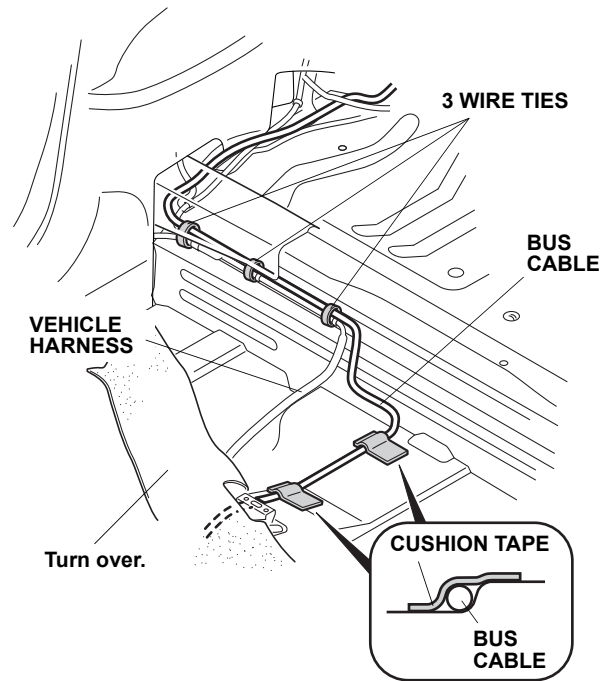


24. Along the center console area, secure the bus cable to the vehicle harness with three wire ties.



25. Using isopropyl alcohol on a shop towel, clean the areas where the cushion tape will attach. Attach the bus cable to the floor panel with the three cushion tapes in the area shown.

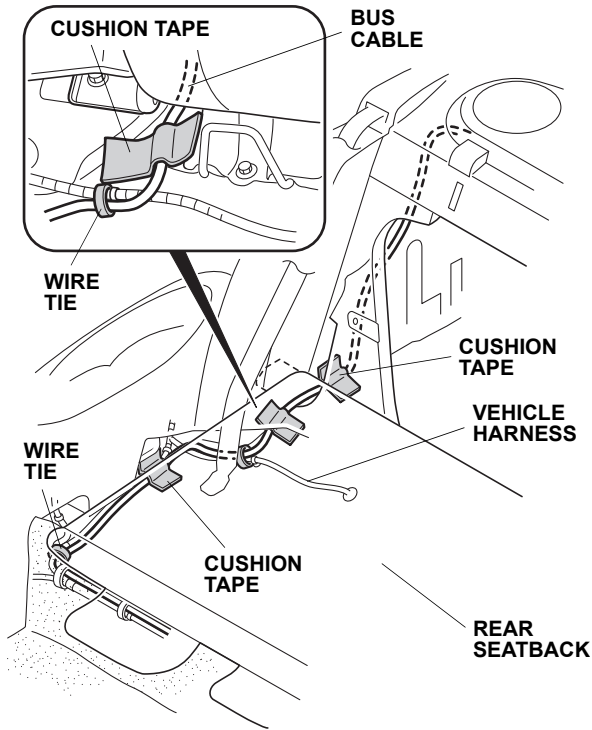
26. Pull back the floor carpet, then using isopropyl alcohol on a shop towel, clean the areas where the cushion tape will attach. Attach the bus cable to the floor panel with the two cushion tapes in the areas shown.



27. Secure the bus cable to the vehicle harness with the three wire ties in the areas shown.



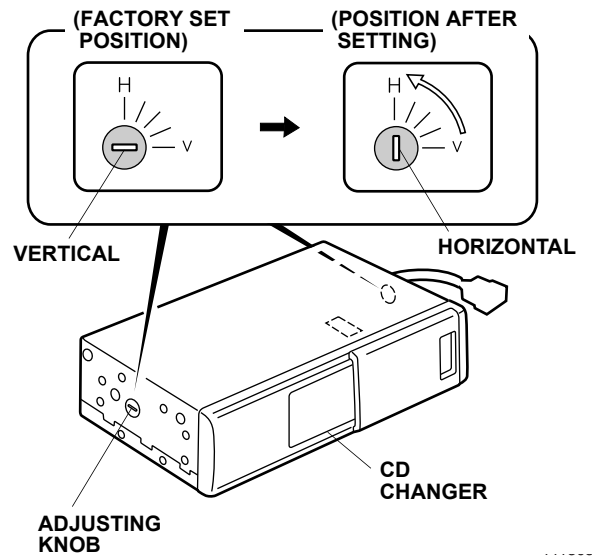
28. Fold the rear seat-back forward, secure the BUS cable to the vehicle harness with the two wire ties in the areas shown.



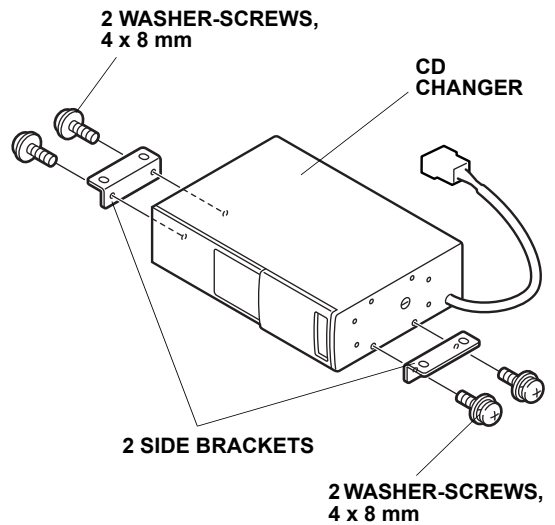
29. Using isopropyl alcohol on a shop towel, clean the areas where the cushion tape will attach. Attach the bus cable to the floor panel with the three cushion tapes in the areas shown.

### Installing the CD Changer

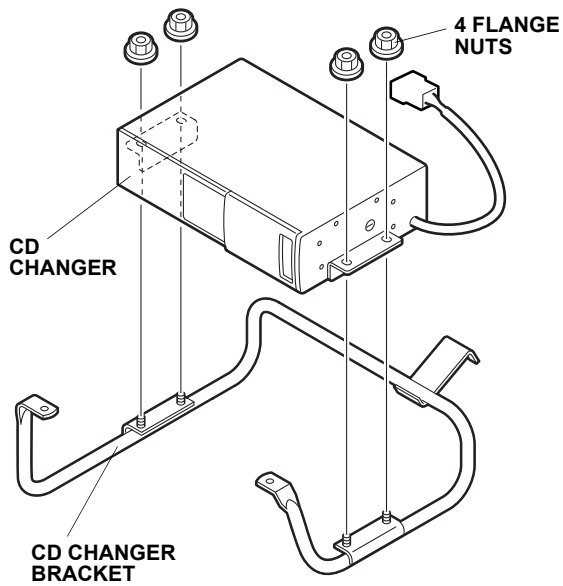
30. Using a flat-tip screwdriver, set the adjusting knobs in the horizontal (H) position.



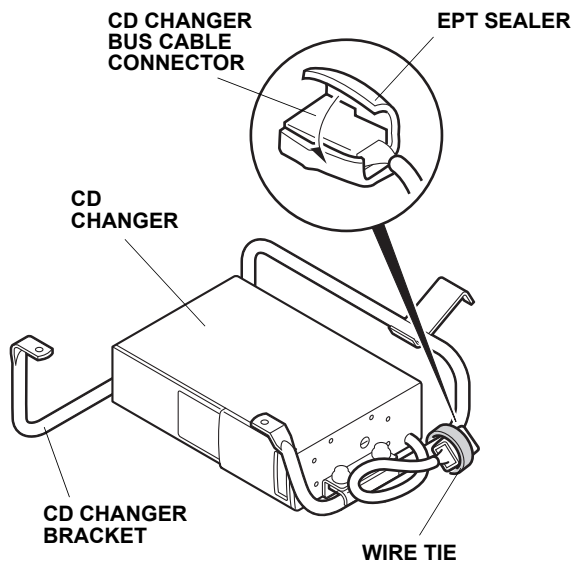
31. Position the side brackets on the sides of the CD changer, then install the four 4 x 8 mm washer-screws.



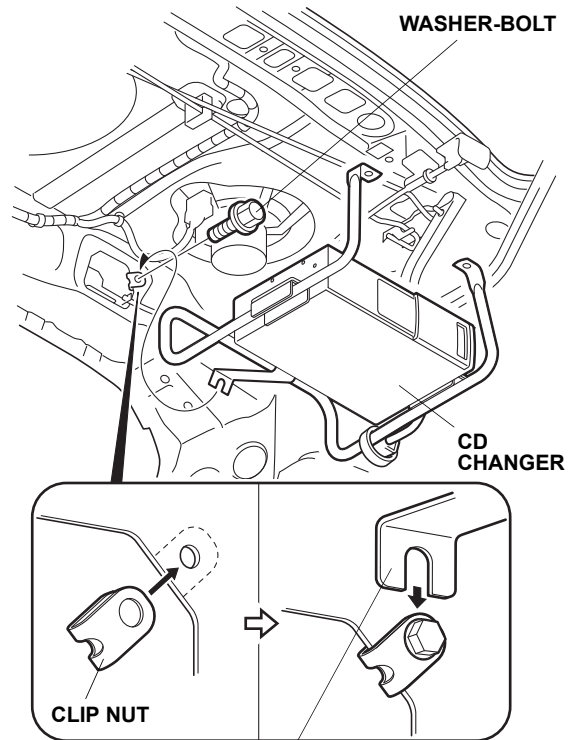
32. Position the CD changer on the CD changer bracket, then install and tighten the four flange nuts.



33. Wrap one EPT sealer around the CD changer bus cable connector, then secure the connector to the CD changer bracket with one wire tie.



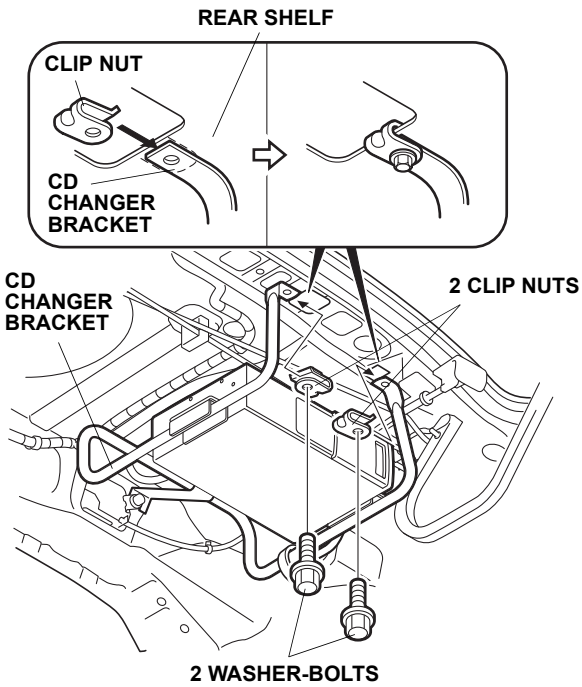
34. In the trunk, slide the clip nut into position on the rear seat panel through the hole in the panel. If necessary, spread the clip nut open with a small flat-tip screwdriver.



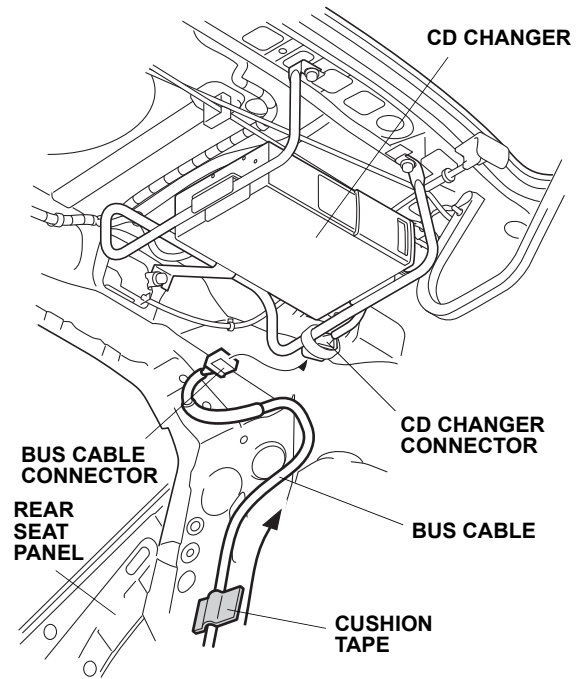
**CD CHANGER BRACKET**  
(Place the end of the bracket between the seat panel and clip nut you just installed.)

35. Loosely install the washer-bolt to the rear seat panel first. Then, place the end of the CD changer bracket between the seat panel and clip nut you just installed.

36. Slide the two clip nuts onto the CD changer bracket and rear shelf through the holes in the rear shelf, and align their holes as shown. Install the two washer-bolts and tighten them securely.

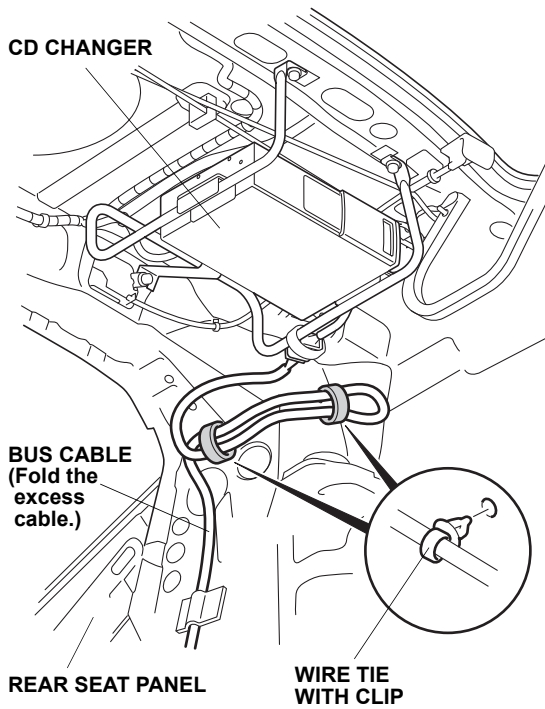


37. Plug the bus cable connector to the connector on the CD changer.



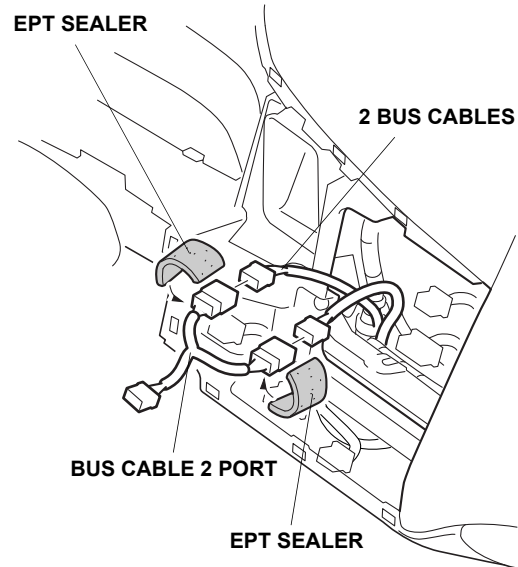
38. Using isopropyl alcohol on a shop towel, clean the area where the cushion tape will attach. Attach the bus cable to the rear seat panel with one cushion tape.

39. Fold the excess bus cable, and secure the bus cable to the holes in the rear seat panel with two wire ties with clip.



***If the vehicle you're working on is equipped with XM radio, continue with step 40; otherwise, go to step 42.***

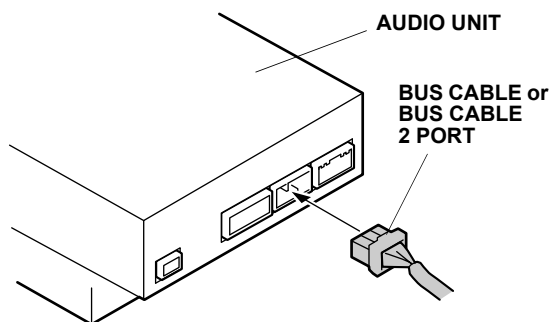
40. Plug the bus cable 2 port connectors to the two bus cables.



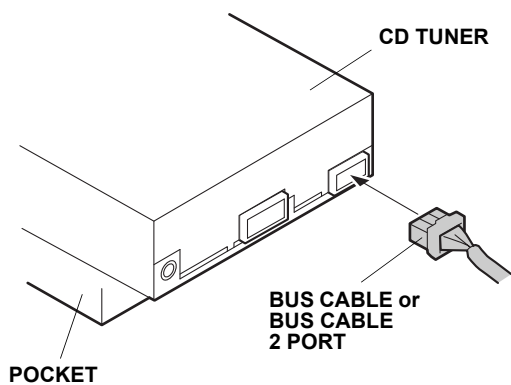
41. Wrap the two connectors with two EPT sealers.

42. Plug the bus cable connector into the rear of the head unit.

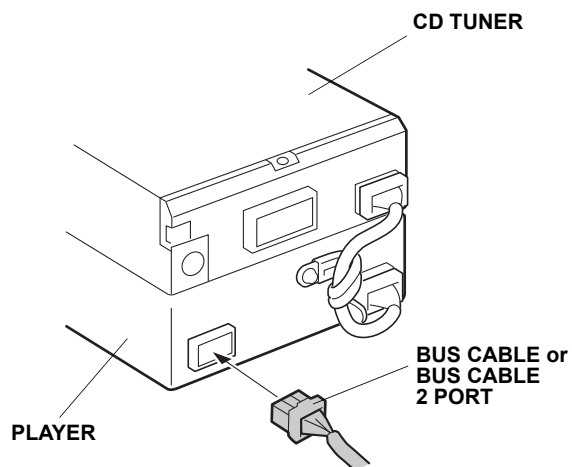
### Standard Audio Unit



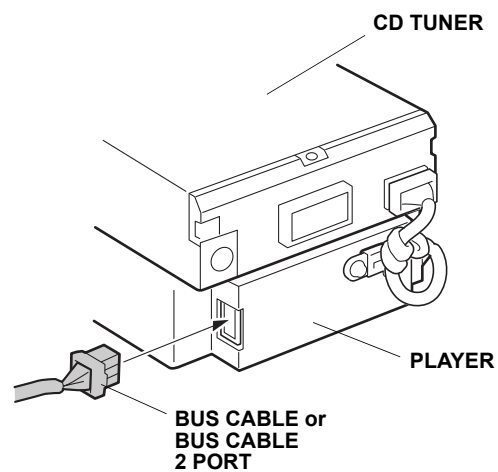
### Multi Control CD Tuner Unit



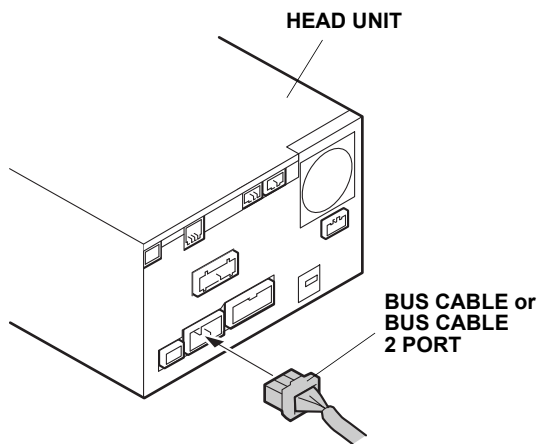
### CD Tuner with Cassette Player



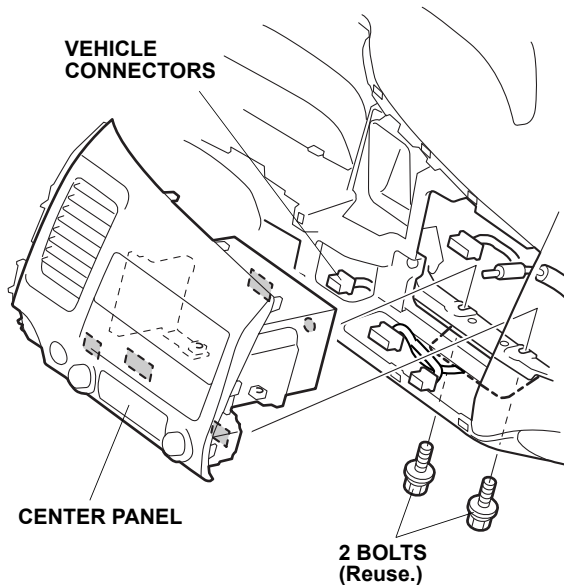
### CD Tuner with Media Player



## Navigation Head Unit



43. Plug the vehicle connectors to the center panel, and reinstall the center panel.



44. Check that all wire harnesses are routed properly and all connectors are plugged in.
45. Reinstall all removed parts.
46. Connect the negative cable to the battery and check operation of all lights and other electrical accessories.
47. Enter the anti-theft codes for the audio system and the navigation system (if equipped), and reset the radio station presets.
48. Reset the clock on vehicles without navigation.
49. Check the operation of the CD changer as described in the user's information manual supplied.
50. Put the user's information manual in the glove box for your customer.