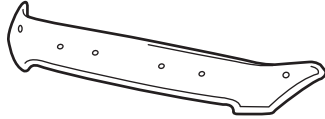
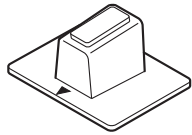


PARTS LIST

Air deflector



Center stopper



2 Brackets A



2 Brackets B



Right bracket C
 (Identification mark "C-R")



Left bracket C
 (Identification mark "C-L")



4 Clips



2 Screws, 6 x 11 mm



4 Truss screws, 5 x 9 mm



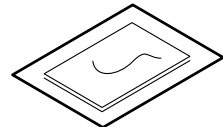
4 Grommet nuts



2 Collars



2 Alcohol pads



4 Protection tapes



Template



2 Plain washers



TOOLS AND SUPPLIES REQUIRED

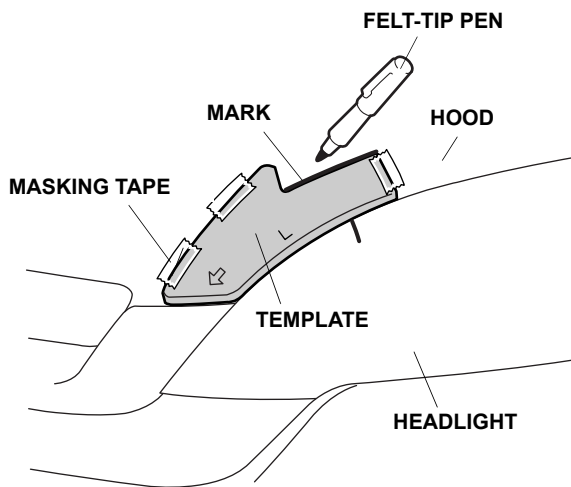
Phillips screwdriver
Shop towel
Felt-tip pen
Scale
Masking tape

INSTALLATION

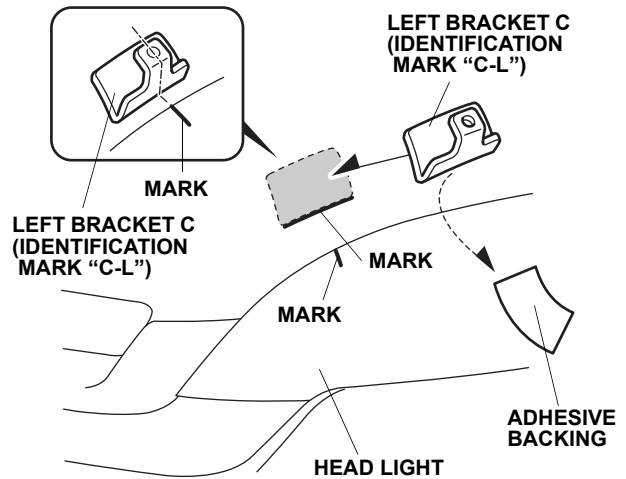
Customer Information: The information in this installation instruction is intended for use only by skilled technicians who have the proper tools, equipment, and training to correctly and safely add equipment to your vehicle. These procedures should not be attempted by "do-it-yourselfers."

NOTE:

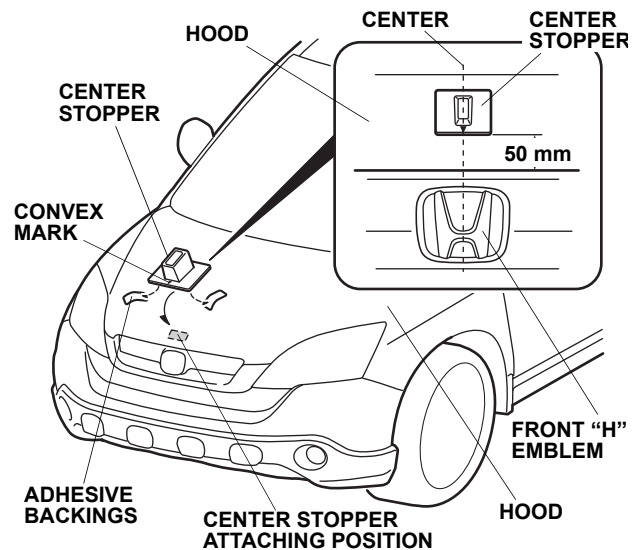
- Be careful not to damage the body finish when you install the air deflector.
 - This air deflector should be installed only when the ambient air temperature is above 60°F (15°C).
1. Using an alcohol pad from the kit, clean the area where the left bracket C (identification mark "C-L") will attach.
 2. Position the template on the hood and secure it with pieces of masking tape. Using a felt-tip pen, mark the hood as shown. Remove the template.



3. Remove the adhesive backing from the left bracket C (identification mark "C-L"). Align left bracket C with the marks, and attach it to the hood as shown.

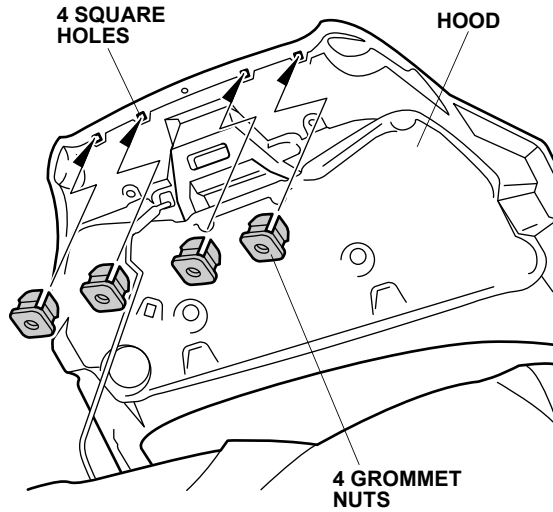


4. Remove the marks you made on the hood.
5. Repeat steps 1 thru 4 to install the right bracket on the right side of the vehicle.
6. Using the front "H" emblem, locate the middle of the hood. Measure up 50 mm, and clean the hood area with an alcohol pad from the kit where the center stopper will attach.

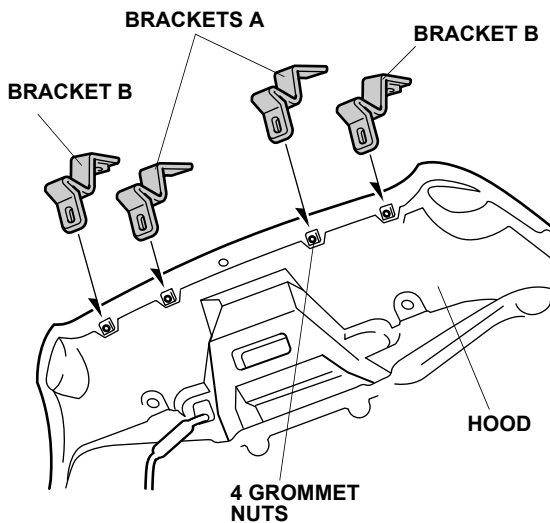


7. Remove the adhesive backing from the center stopper, and attach it to the hood at the marked location with the convex mark facing down.

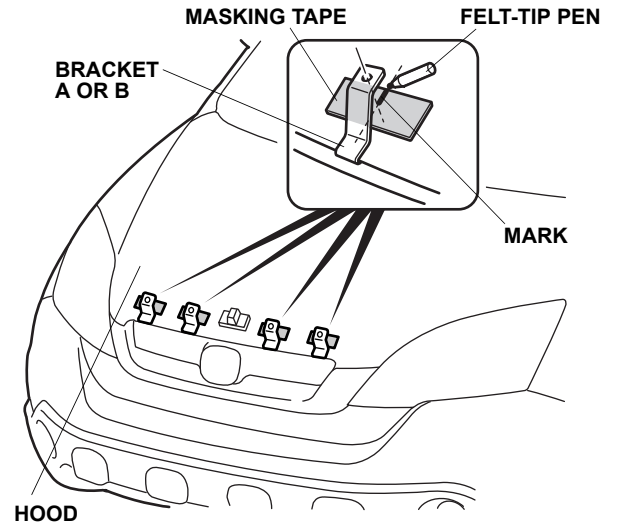
- Open the hood. Locate the four square holes in the hood. Push one grommet nut into each square hole.



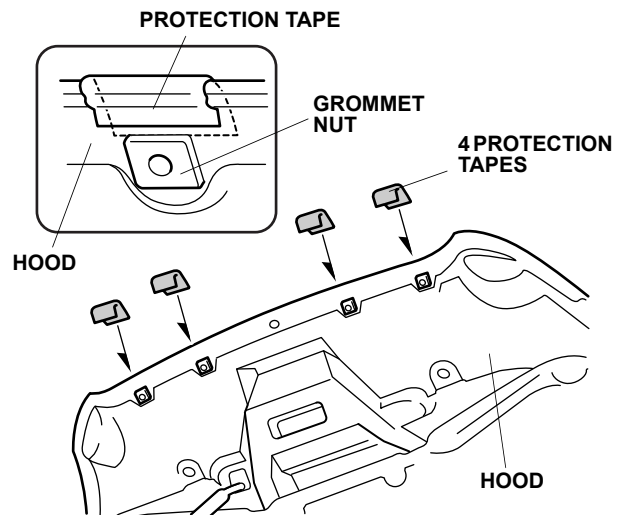
- Slide two brackets A and two brackets B over the lip of the hood. Align the hole in the bracket with the hole in the grommet nuts, then tape the brackets to the hood with masking tape.



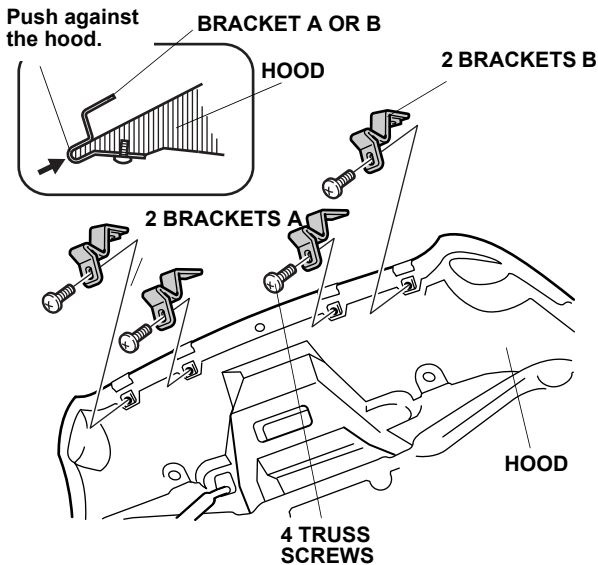
- Close the hood. Attach a piece of masking tape to the hood under each bracket.



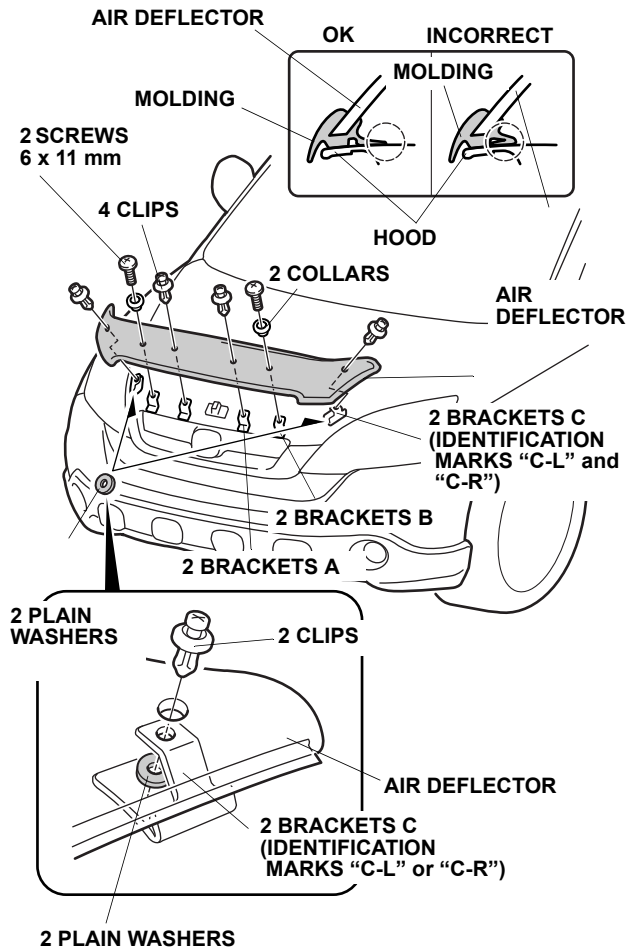
- Using a felt-tip pen, mark the masking tape where each bracket will attach. Open the hood, and remove the two brackets A and two brackets B.
- Using an alcohol pad from the kit, clean the area where the four protection tapes will attach. Attach the four protective tapes around the front edge of the hood starting at the four marked locations on the masking tape.



- Reinstall the two brackets A and two brackets B on the hood over the protective tapes, and install the four truss screws. Push each bracket against the hood while you install the screws.



- Position the air deflector on the hood, and attach the air deflector to the brackets A and C using the four clips and two plain washers.



- Align the holes in the air deflector over the two brackets B, and install the two screws and two collars. Tighten the screws securely. Check that the edge of the air deflector molding is seated properly.