



# INSTALLATION INSTRUCTIONS

Accessory  
FOG LIGHTS

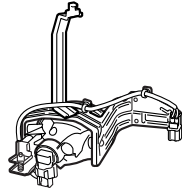
Application  
2009 ACCORD  
2-DOOR  
EX, EX-L

Publications No.  
All 39936  
Issue Date  
JULY 2008

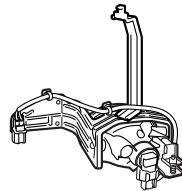
## PARTS LIST

Fog Light Kit  
P/N 08V31-TE0-100

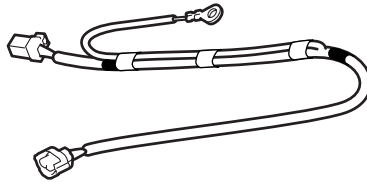
Left fog light



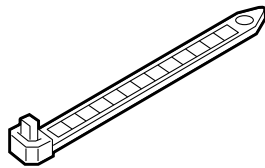
Right fog light



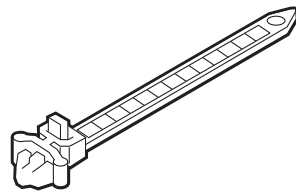
2 Fog light harnesses



4 Wire ties



2 Wire ties with clip

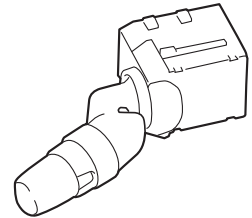


Ground bolt



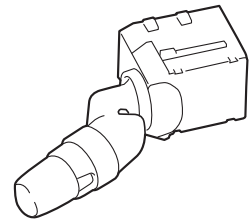
Light/Turn Signal Switch (with auto light)  
P/N 08V38-TA0-100A

Lighting switch



Light/Turn Signal Switch (without auto light)  
P/N 08V38-TA0-100

Lighting switch



## TOOLS AND SUPPLIES REQUIRED

#2 Phillips screwdriver

Flat-tip screwdriver

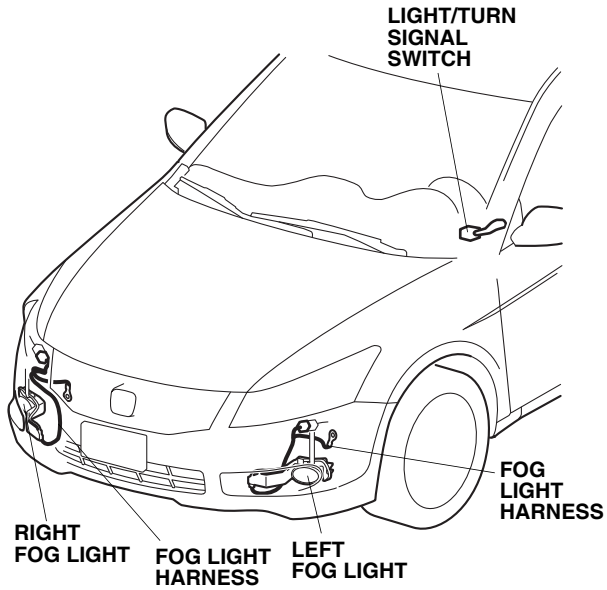
Diagonal cutters

Ratchet

10 mm Socket

10 mm Combination wrench

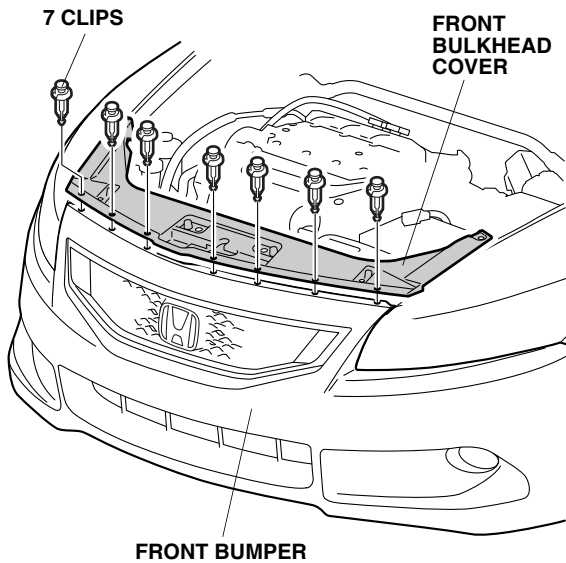
**Illustration of the Fog Lights Installed on the Vehicle**



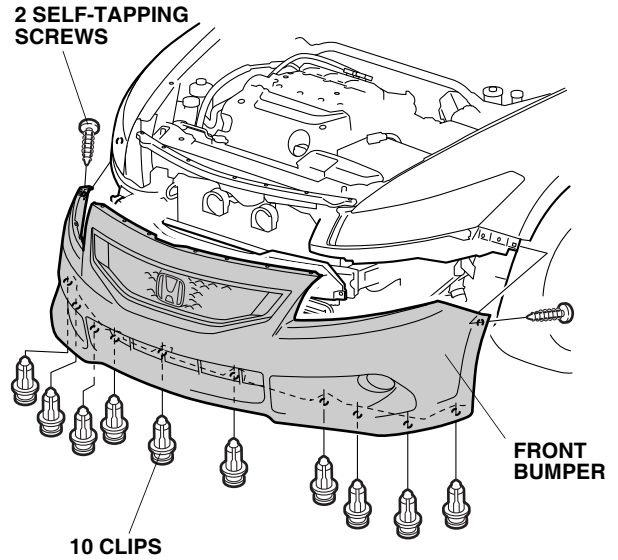
**INSTALLATION**

**Customer Information:** The information in this installation instruction is intended for use only by skilled technicians who have the proper tools, equipment, and training to correctly and safely add equipment to your vehicle. These procedures should not be attempted by “do-it-yourselfers.”

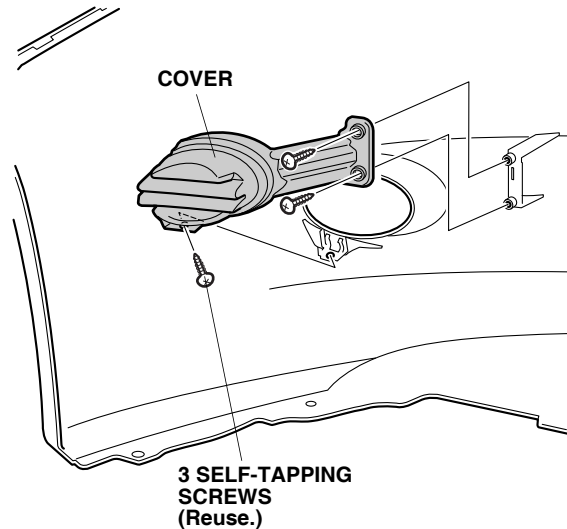
1. Make sure you have the anti-theft codes for the audio and navigation system (if equipped), and write down the radio station presets.
2. Disconnect the negative cable from the battery.
3. Remove the front bulkhead cover (seven clips).



4. Remove the front bumper (two self-tapping screws and 10 clips). Have an assistant help you when removing the front bumper.



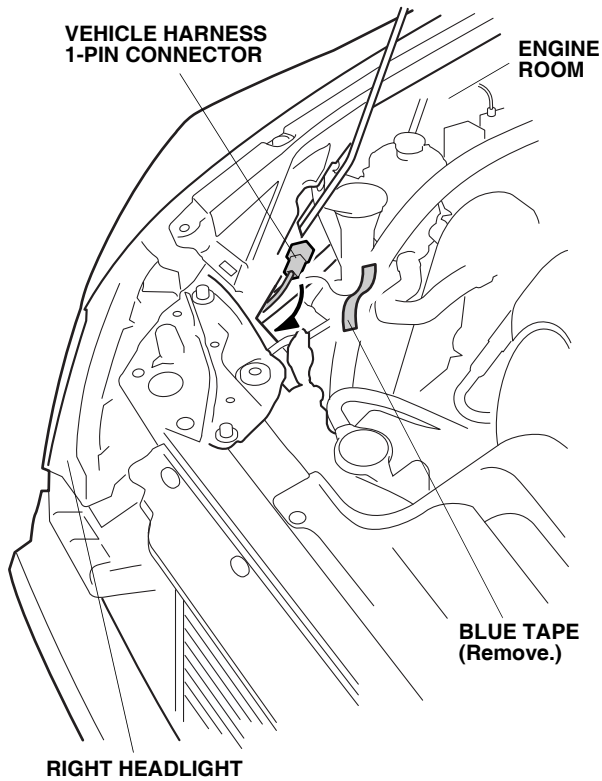
5. Remove the three self-tapping screws (save for reuse) from the front bumper, and remove the left fog light cover.



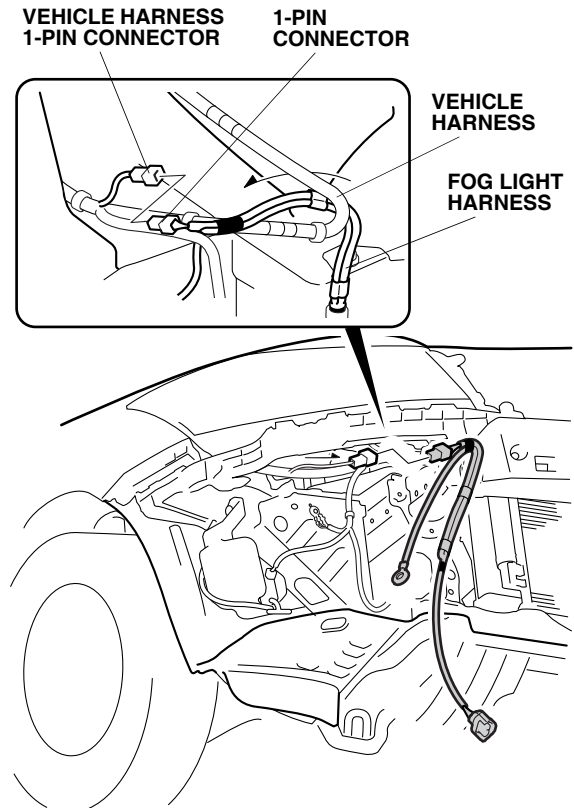
6. Repeat step 5 to remove the right fog light cover.

## Routing the Fog Light Harness

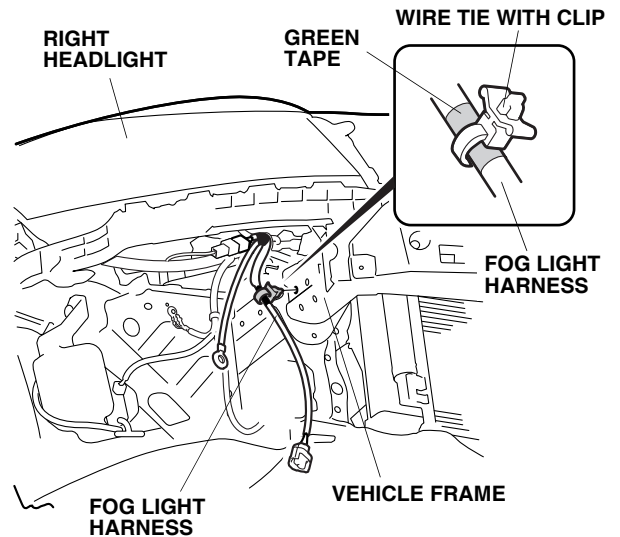
- Under the hood on the passenger's side of the vehicle, locate the 1-pin connector blue-taped to the vehicle harness. Remove the tape to free the connector.



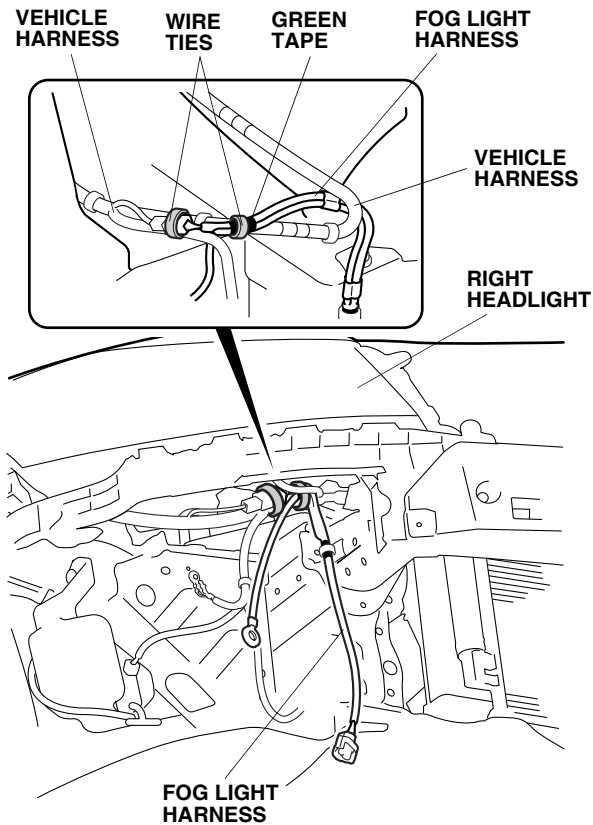
- Plug the fog light harness 1-pin connector into the vehicle harness 1-pin connector.



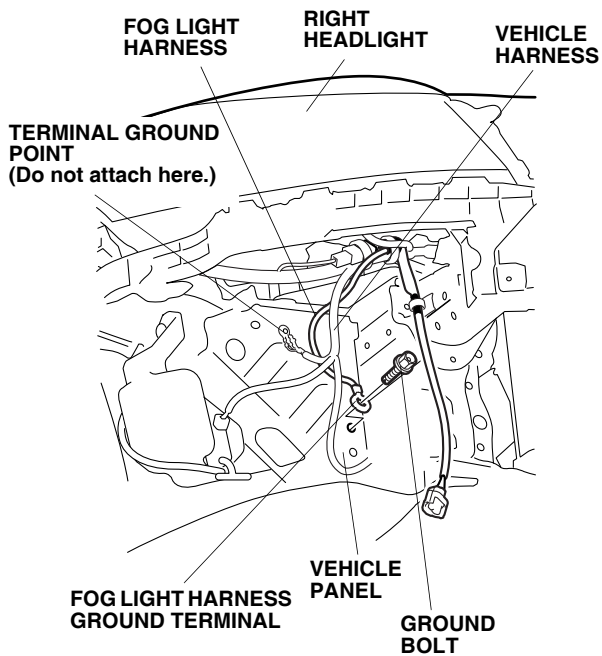
- Install one wire tie with clip to the fog light harness at the green tape. Attach the wire tie with clip to the hole in the vehicle frame.



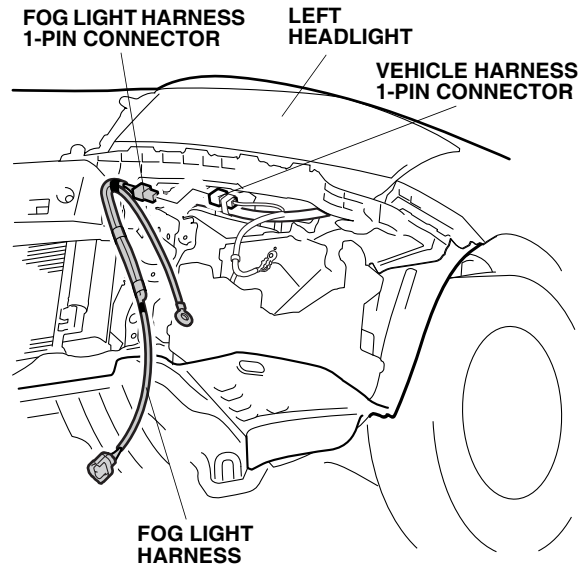
- Near the 1-pin connector, secure the fog light harness to the vehicle harness with two wire ties.



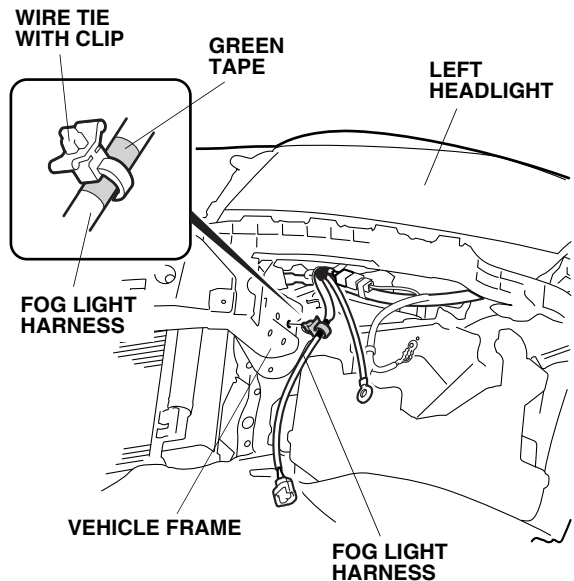
- Attach the fog light harness ground terminal to the vehicle panel using the ground bolt.



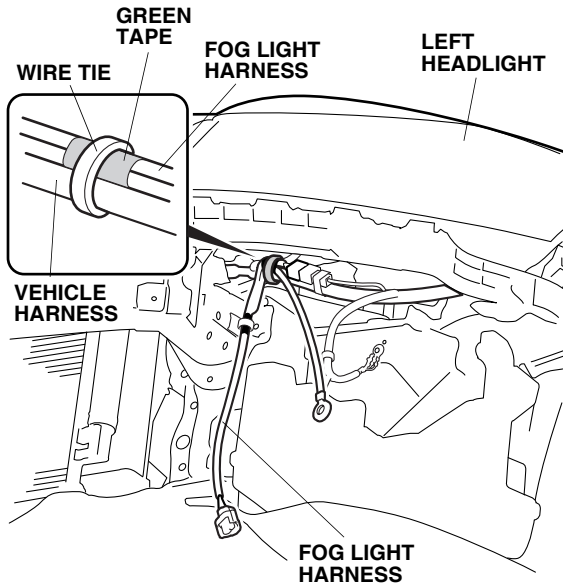
- On the driver's side of the vehicle, locate the vehicle harness 1-pin connector. Plug the fog light harness 1-pin connector into the vehicle harness 1-pin connector.



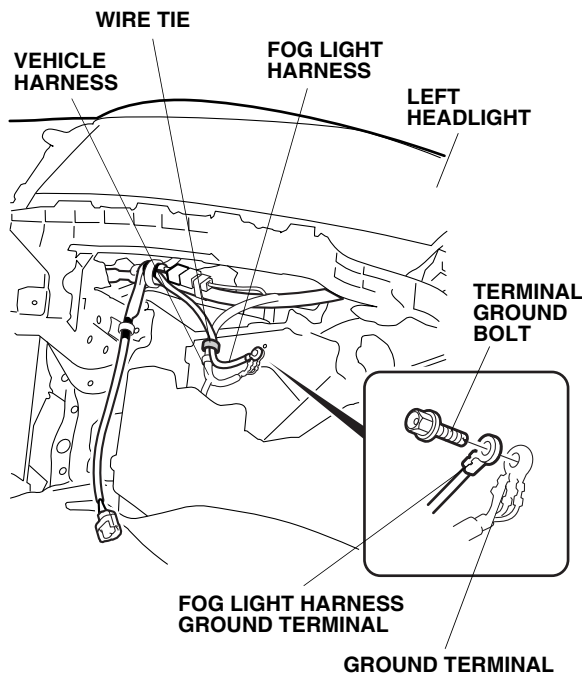
- Install one wire tie with clip to the fog light harness at the green tape. Attach the wire tie with clip to the hole in the vehicle frame.



14. Near the 1-pin connector, secure the fog light harness to the vehicle harness with one wire tie.

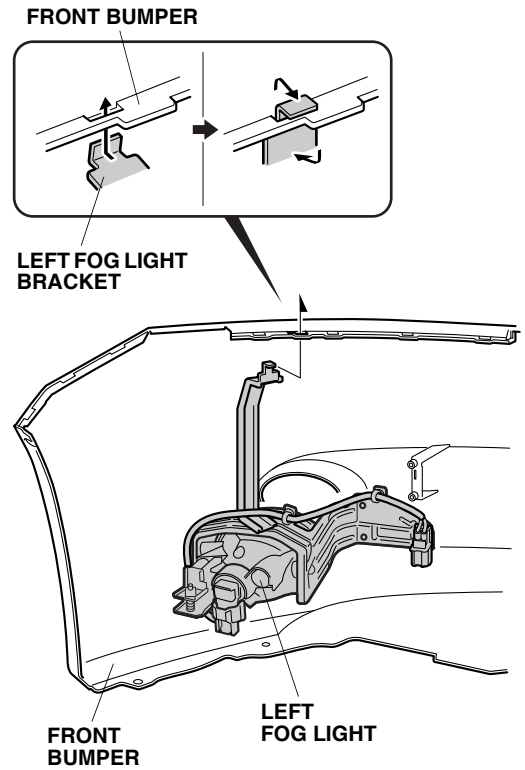


15. Locate the vehicle ground terminal, and remove the ground terminal bolt. Attach the fog light harness ground terminal, and reinstall the ground terminal bolt.

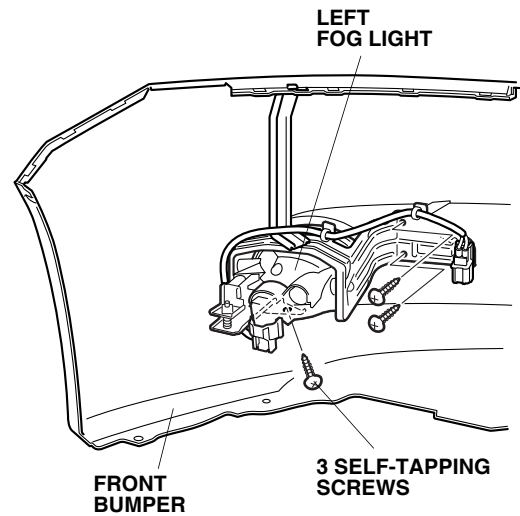


16. Near the ground terminal, secure the fog light harness to the vehicle harness with one wire tie.

17. Install the left fog light bracket on the front bumper as shown.

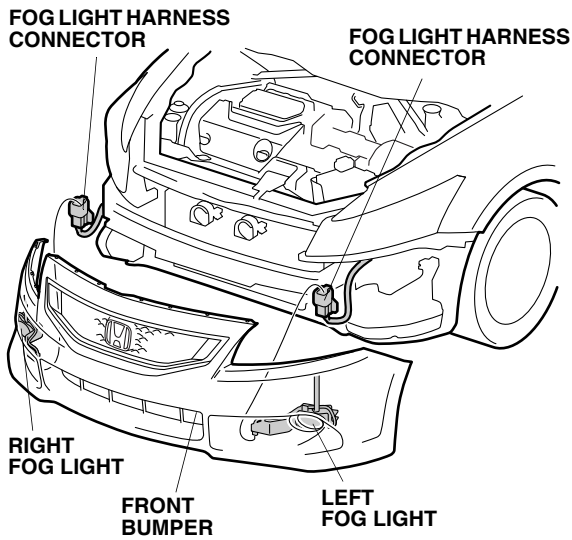


18. Using the three self-tapping screws removed in step 5, secure the left fog light on the front bumper.



19. Repeat steps 17 and 18 to install the right fog light.

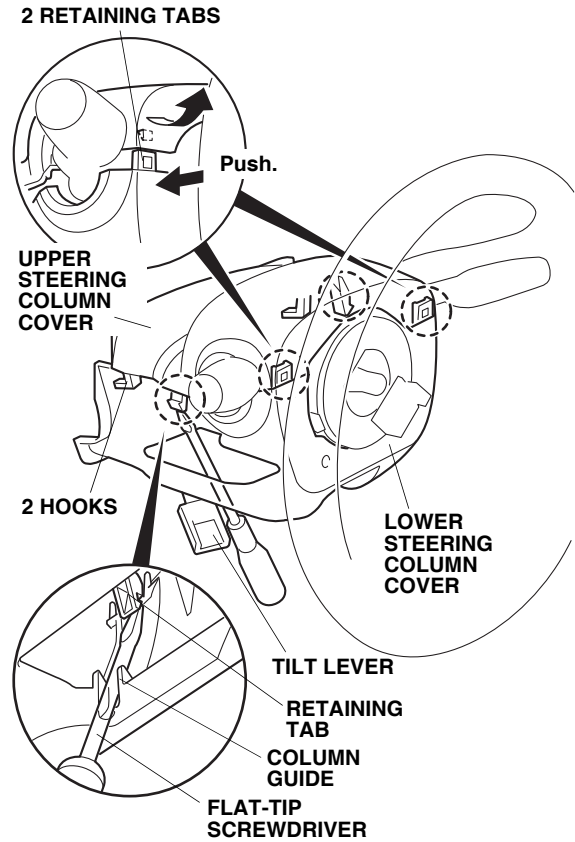
20. Plug in each fog light harness connector, and reinstall the front bumper.
- NOTE: Have an assistant help you to install the front bumper.



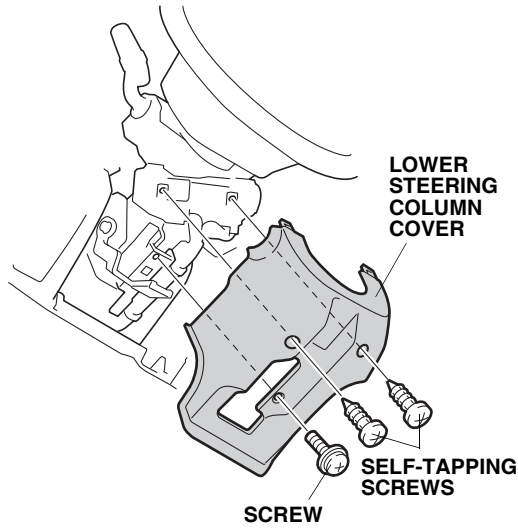
### Installing the Light/Turn Signal Switch

21. Lower the tilt lever and pull the steering wheel out.

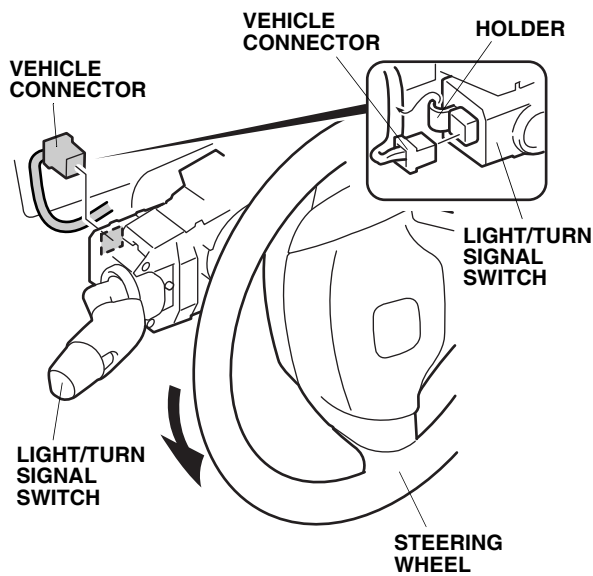
22. Remove the upper steering column cover:
- Insert a flat-tip screwdriver along the column guide inside the lower cover, and gently pry out the retaining tab of the upper column cover.
  - Push the lower cover in at the areas shown to release the two retaining tabs, and pull up on the upper cover to release the two hooks.



23. Remove the lower steering column cover (one screw and two self-tapping screws).

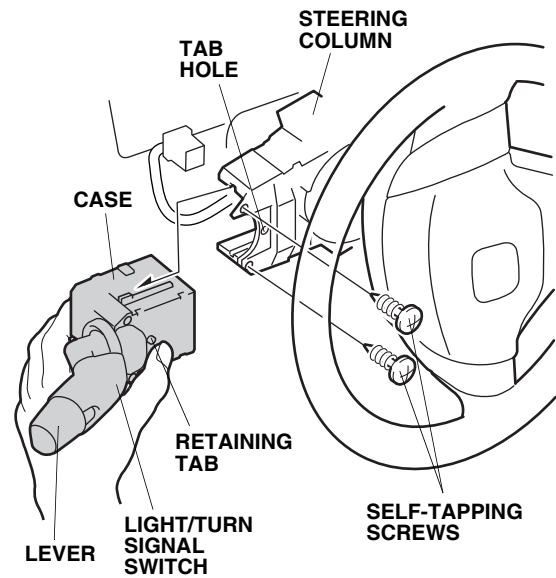


24. Turn the steering wheel 90° counterclockwise, and unplug the vehicle connector from the light/turn signal switch.



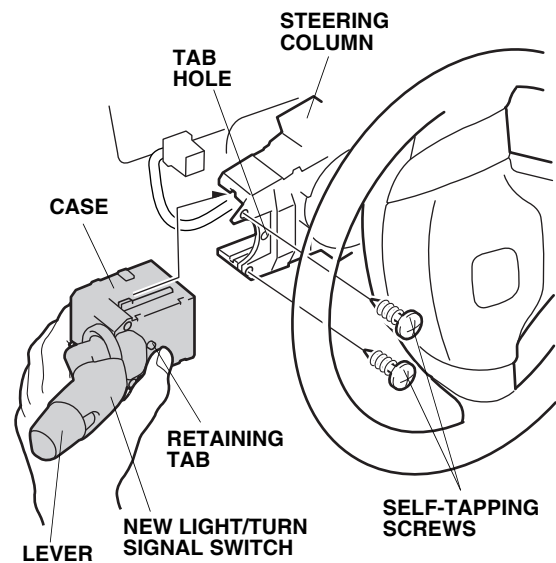
25. Remove the two self-tapping screws from the light/turn signal switch. While pushing the retaining tab, slide out the light/turn signal switch, and remove it from the steering column.

NOTE: Do not pull on the lever when removing the light/turn signal switch. Do not damage the tab hole on the steering column.



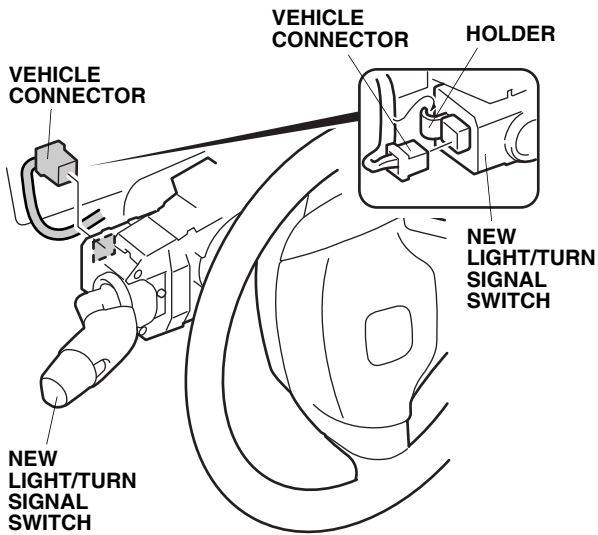
26. Install the new light/turn signal switch on the steering column using the two self-tapping screws. Hold the case by hand, then install the new light/turn signal switch onto the steering column.

NOTE: Do not push on the lever when installing the light/turn signal switch. Push the case and set the retaining tab to the tab hole securely.





27. Plug the vehicle connector into the new light/turn signal switch.



## USE AND CARE

### How to Operate The Fog Lights

- Turn the light switch to the "D" position (headlights on low beam).
- Turn the fog light switch on (indicator is on).

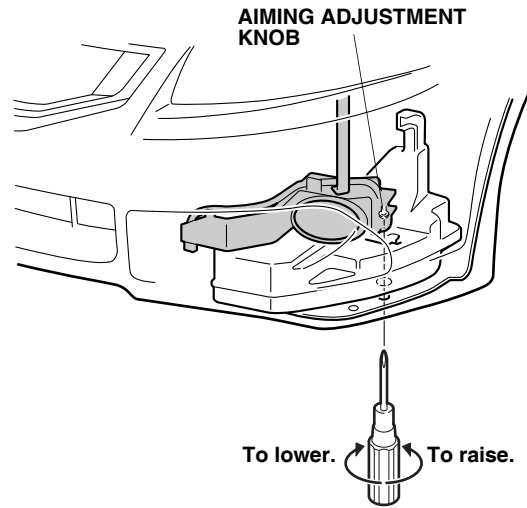
**NOTE:** The fog light lenses can cloud when the outside temperature is cold; this is normal and should go away in warm weather.

- If the fog lights don't come on, check the fuse and all the connectors, including the ground cable.

### Fog Light Aiming Adjustment

28. Adjust the fog light:

- Adjust the aiming according to local laws and regulations.
- To adjust, turn the aiming adjustment knob in or out until the correct aiming is obtained.

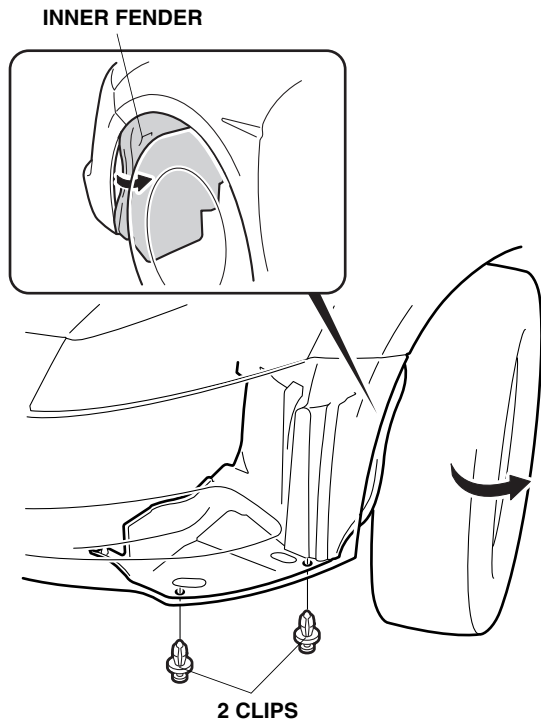


29. Reinstall all removed parts.

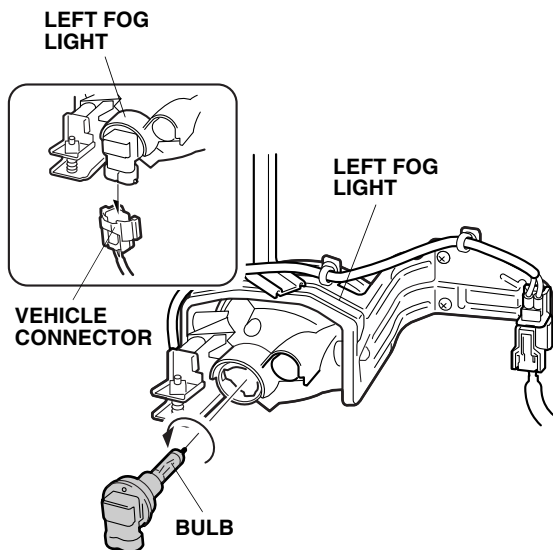


## BULB REPLACEMENT

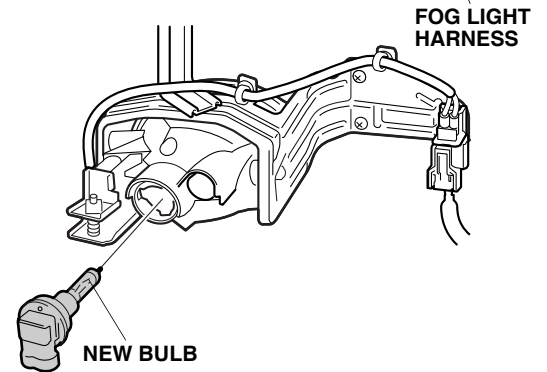
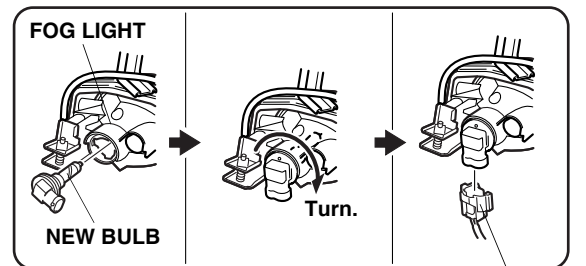
1. Turn the steering wheel counterclockwise. Remove the two inner fender clips, and peel away the inner fender.



2. Insert your hand inside the inner fender, unplug the connector from the fog light, and remove the bulb.

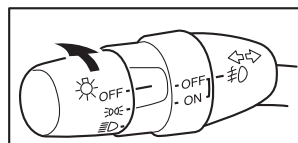
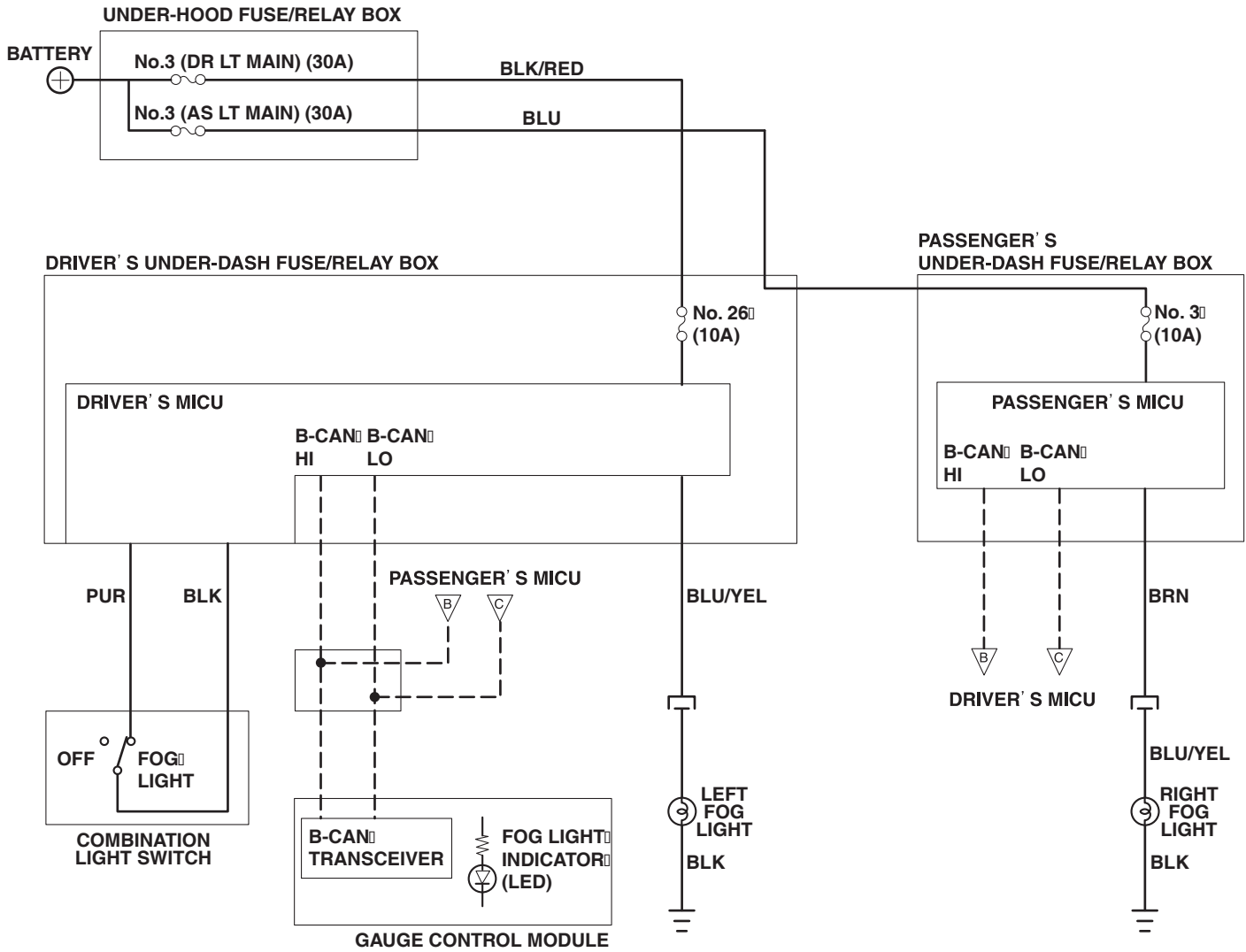


3. Install the new bulb and socket to the fog light.
  - Use only a Honda halogen light bulb, P/N: 33165-S5A-003. Rating: 12V 55W H11 Halogen Light Bulb
  - Do not touch the bulb. Oily or greasy substances on the bulb can shorten its service life due to the heat produced when the bulb is turned on. If the bulb is accidentally touched, wipe it clean with a soft cloth that has been dampened with denatured alcohol or a mild detergent solution.
  - When installing the new bulb, align the cutout on the fog light with the tab on the new bulb and turn the new bulb in completely. If not properly aligned, the fog light may blind oncoming drivers.

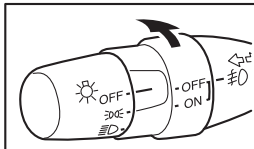


4. Reinstall the removed parts. Check that the wire harnesses are not pinched. Be sure to tighten the clip and bolts securely.
5. Check the operation of the fog light; adjust the aiming if necessary.

# CIRCUIT DIAGRAM



HEADLIGHT SWITCH		Low		Hi
OFF	☀️	-	-	-
OFF	☀️	-	-	-
ON	☀️	ON	-	-



FOG LIGHT SWITCH		OFF		ON
OFF	☀️	-	-	-
ON	☀️	-	-	ON

BLK	BLACK	BRN	BROWN
YEL	YELLOW	ORN	ORANGE
BLU	BLUE	PUR	PURPLE
GRN	GREEN	NAT	NATURAL
RED	RED	PNK	PINK
WHT	WHITE	GRY	GRAY
LT BLU	LIGHT BLUE	LT	LIGHT GREEN