

HONDA

INSTALLATION INSTRUCTIONS

Accessory
FLOOR MAT (ALL SEASON)
 P/N 08P13-TE0-100

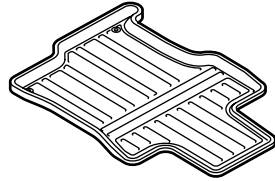
Application
2009 ACCORD
 2-DOOR

Publications No.
All 39932

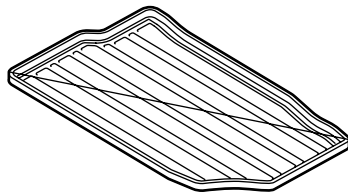
Issue Date
JULY 2008

PARTS LIST

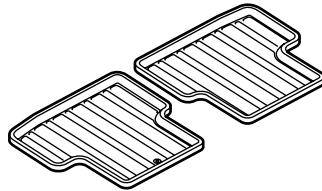
Driver's floor mat



Front passenger's floor mat



2 Rear floor mats

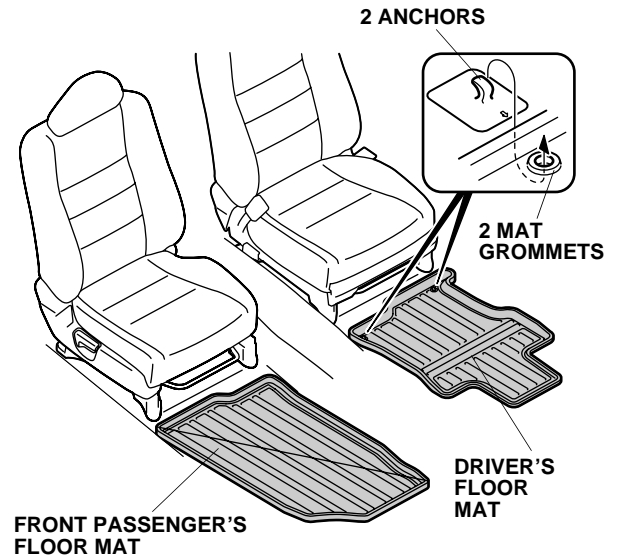


INSTALLATION

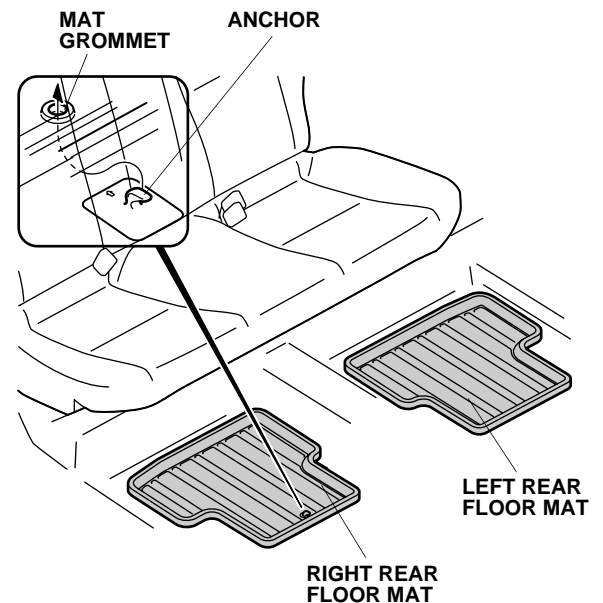
NOTE:

- Before installing, identify each floor mat.
- Remove the standard floor mats before installing these floor mats.
- This vehicle is equipped with two floor carpet anchors on the driver's side; the anchors prevent the driver's floor mat from sliding forward and interfering with the pedals.
- If you remove the driver's floor mat, make sure you re-anchor it when you put it back in the vehicle.

1. Install the driver's floor mat by placing the two mat grommets over the two anchors on the floor carpet.
2. Install the front passenger's floor mat.



3. Install the left rear floor mat.



4. Install the right rear floor mat by placing the mat grommet over the anchor on the floor.