



# INSTALLATION INSTRUCTIONS

Accessory

TAILLIGHT TRIM  
P/N 08F47-SJC-100

Application

2008 RIDGELINE

Publications No.

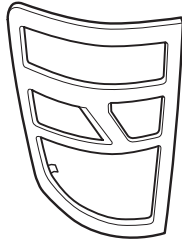
All 36653

Issue Date

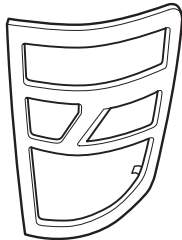
MAY 2007

## PARTS LIST

Left taillight trim



Right taillight trim



## TOOLS AND SUPPLIES REQUIRED

Ratchet

10 mm Socket

Masking tape

Isopropyl alcohol

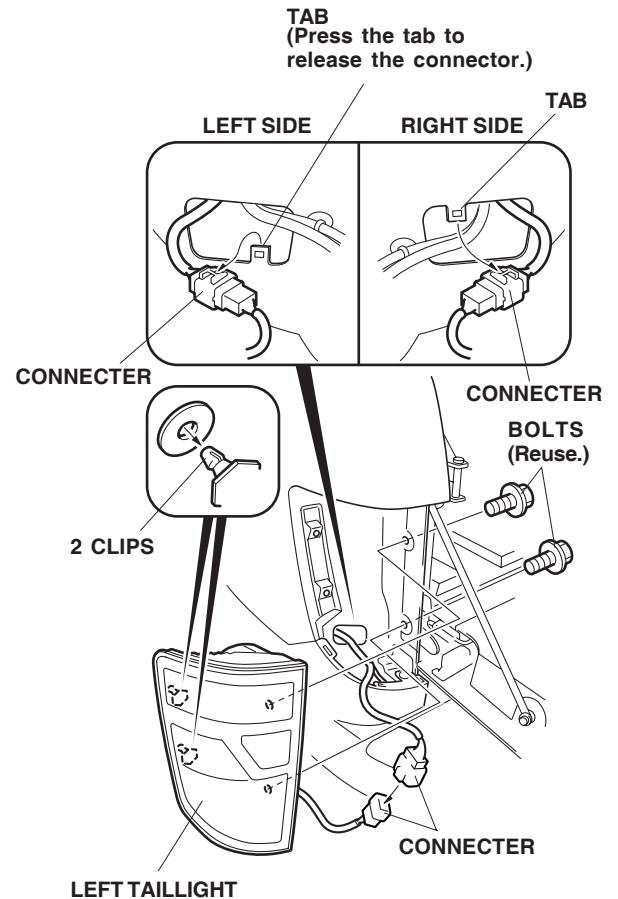
Shop towel

## INSTALLATION

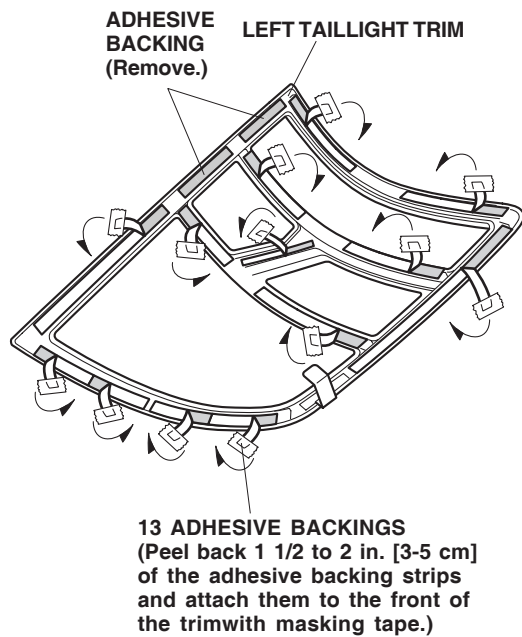
**Customer Information:** The information in this installation instruction is intended for use only by skilled technicians who have the proper tools, equipment, and training to correctly and safely add equipment to your vehicle. These procedures should not be attempted by "do-it-yourselfers."

NOTE: Be careful not to damage the body finish.

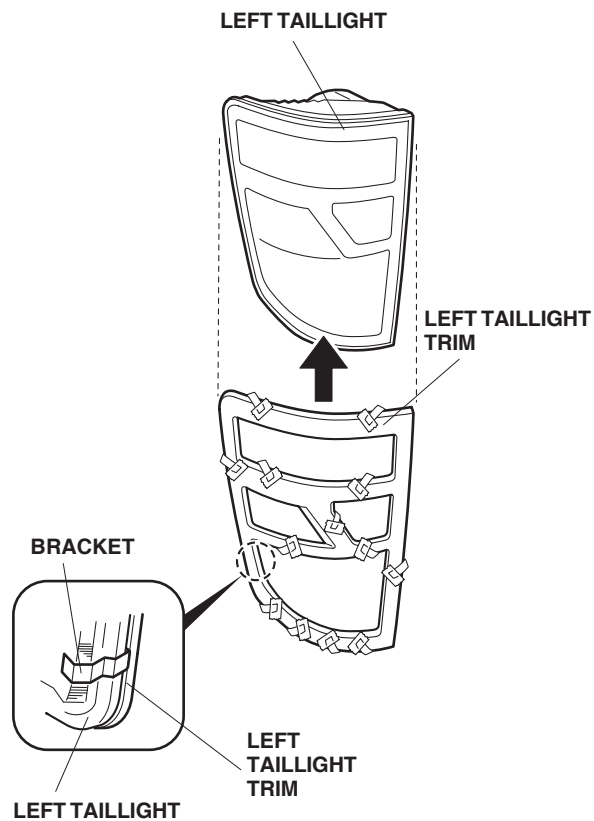
1. Open the tailgate.
2. Remove the left taillight (two bolts, pull left taillight toward you to release two clips, and unplug the taillight connector). Remove the right taillight the same way.



3. On the back of the left taillight trim, peel back 1 ½ to 2 in. (3-5 cm) of the thirteen adhesive backing strips and attach them to the front of the trim with masking tape. Remove and discard the remaining adhesive backing.



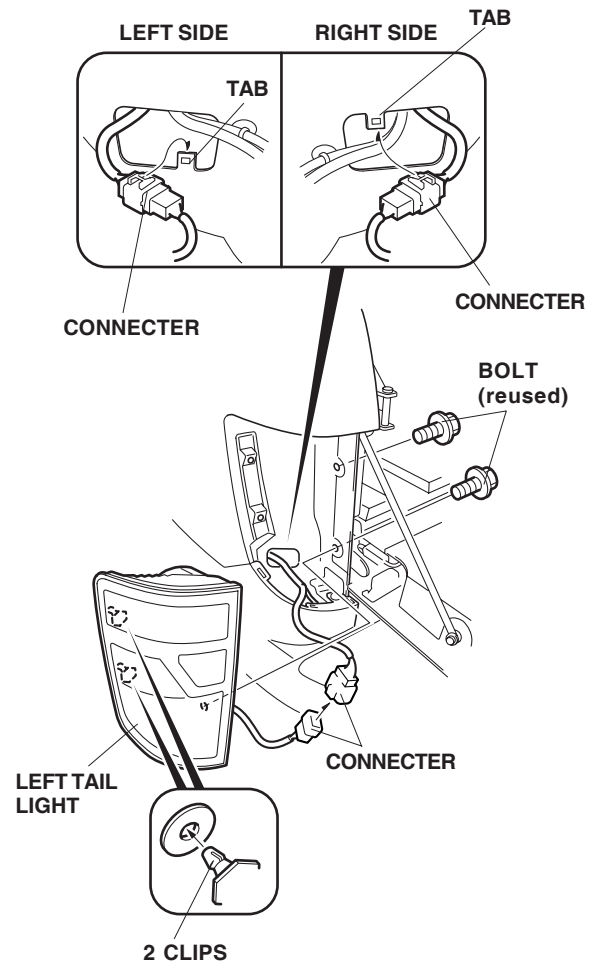
4. Using isopropyl alcohol on a shop towel, clean the taillight where the adhesive tapes will attach.
5. Slide the left taillight trim over the left taillight, hooking the bracket on the left taillight trim to the left taillight.



6. While holding light pressure on the trim, carefully remove all of the adhesive backing. After removing the adhesive backing, hold the trim firmly against the taillight with the palm of your hand for 30 seconds.



7. Reinstall the left taillight.



8. Repeat steps 1 thru 7 to install the right taillight trim.
9. Close the tailgate.