



INSTALLATION INSTRUCTIONS

Accessory
FLOOR MATS
P/N 08P15-SJC-110 (BROWN)
P/N 08P15-SJC-120 (GRAY)

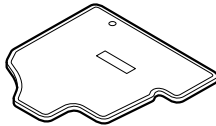
Application
2008 RIDGELINE

Publications No.
All 36764
Issue Date
JUN 2007

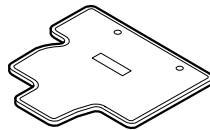
Put this information in the glove box with the vehicle owner's manual.

PARTS LIST

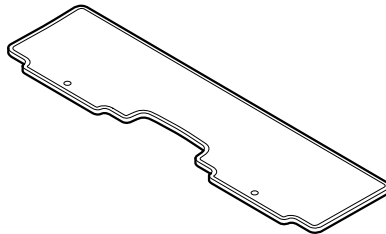
Driver's side floor mat



Passenger's side floor mat



Rear floor mat

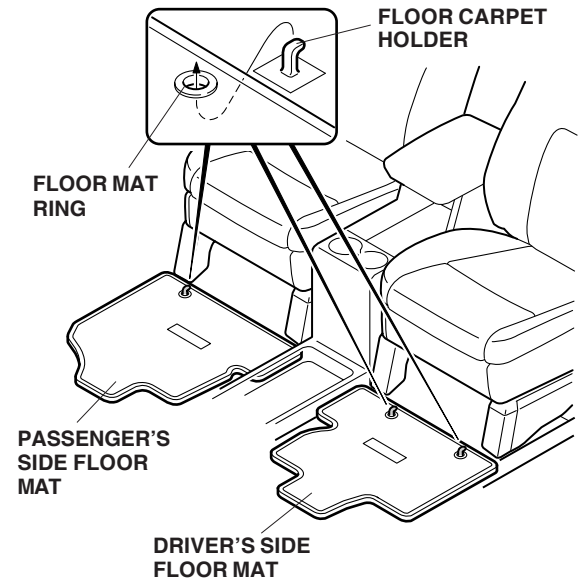


INSTALLATION

NOTE:

- Before installing, identify each floor mat.
- Remove the standard floor mats before installing these new floor mats.
- The floor mat holders are required for the driver's side of the vehicle; the holder prevents the driver's side floor mat from sliding forward and interfering with the pedals.

1. Install the driver's side floor mat by placing the rings in the floor mat around two holders on the floor carpet.



2. Install the passenger's side floor mat by placing the ring in the floor mat around one holder on the floor carpet.
3. Install the rear floor mat by placing the rings in the floor mat around two holders on the floor carpet.

