



INSTALLATION INSTRUCTIONS

Accessory

**RUNNING BOARD
P/N 08L33-S9V-100C**

Application

2008 PILOT

Publications No.

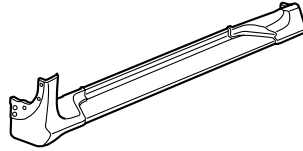
All 37125

Issue Date

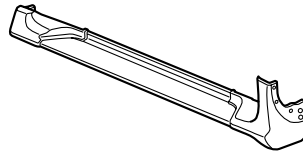
JUN 2007

PARTS LIST

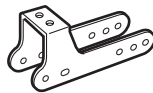
Left running board



Right running board



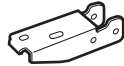
2 Brackets "A"



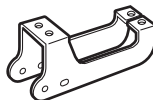
2 Brackets "B"



6 Brackets "C"



4 Brackets "D"



24 Long flange bolts



32 Short flange bolts



44 Flange nuts



TOOLS AND SUPPLIES REQUIRED

Ratchet

Clip remover

13 mm Socket

13 mm Combination wrench

Extension

Blanket

Torque wrench

INSTALLATION

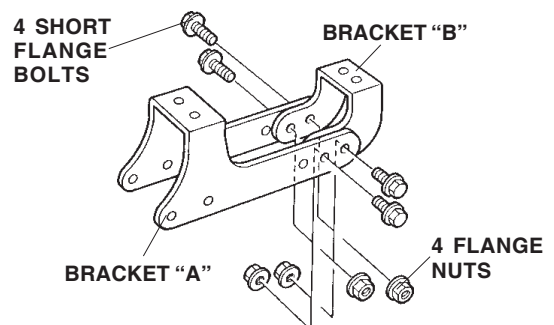
Customer Information: The information in this installation instruction is intended for use only by skilled technicians who have the proper tools, equipment, and training to correctly and safely add equipment to your vehicle. These procedures should not be attempted by "do-it-yourselfers."

NOTE:

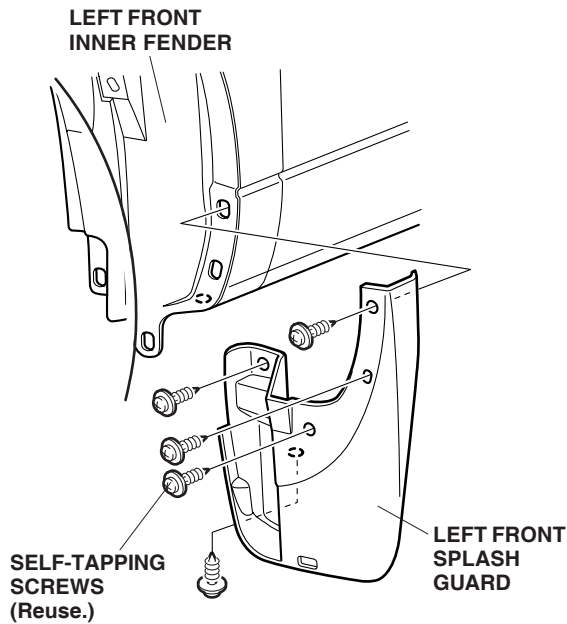
- Thoroughly clean the bottom of the body from the rear of the front wheels up to the front of the rear wheels.
- Be careful not to damage the body paint finish. To prevent damage, place a blanket under the running board during the installation.
- These instructions show the left side running board being installed; the same procedure applies to installing the right side running board.

1. Assemble two front bracket assemblies using brackets "A" and "B" along with four short flange bolts, and four flange nuts. Be sure to use the outboard holes in bracket "B". Leave these nuts and bolts loose at this time.

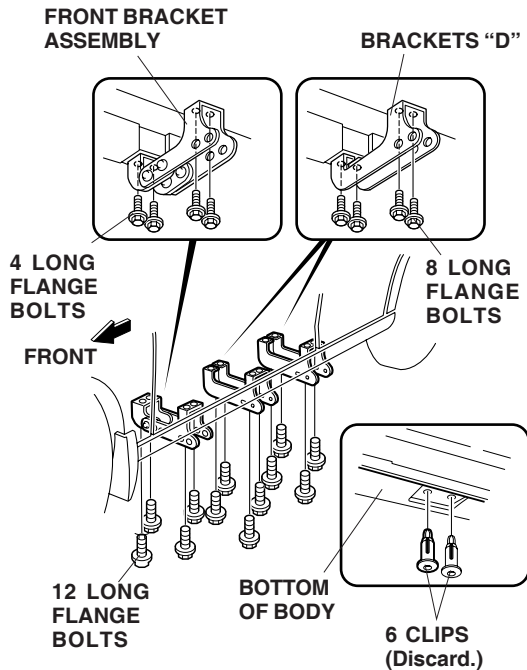
Front Bracket Assembly:



- Remove the left front splash guard (five self-tapping screws).

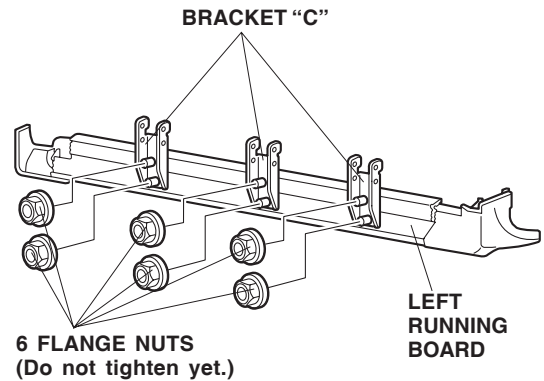


- Remove the six clips from the bottom of the body. Push in on the center of the clip, and remove it using a clip remover.

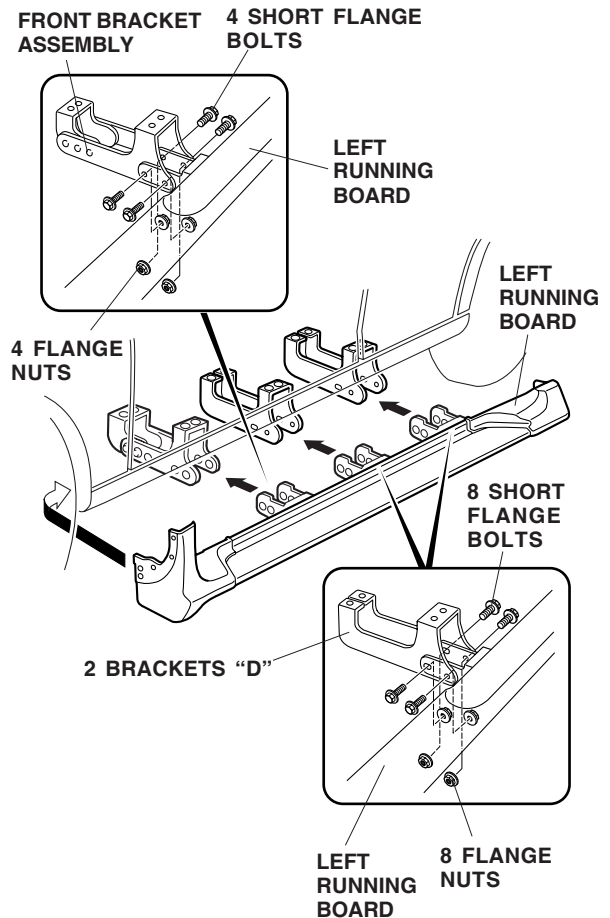


- On the left side of the vehicle, install the one front bracket assembly and two brackets "D" to the body using the twelve long flange bolts. Thread the long flange bolts in about 3 or 4 threads.

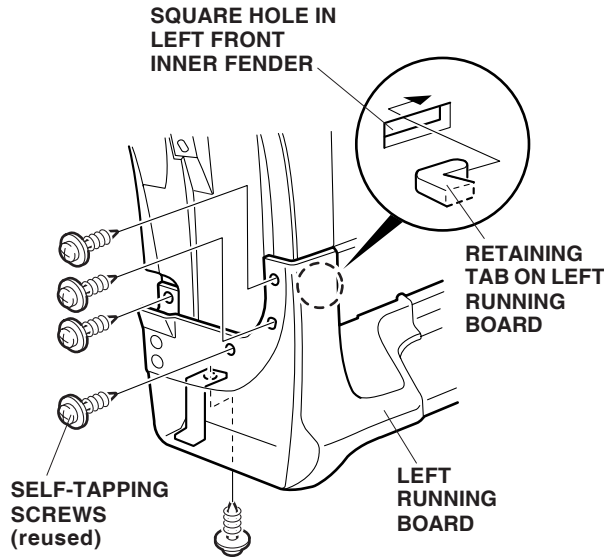
- Install three brackets "C" to the left running board using the six flange nuts, but don't tighten them yet.



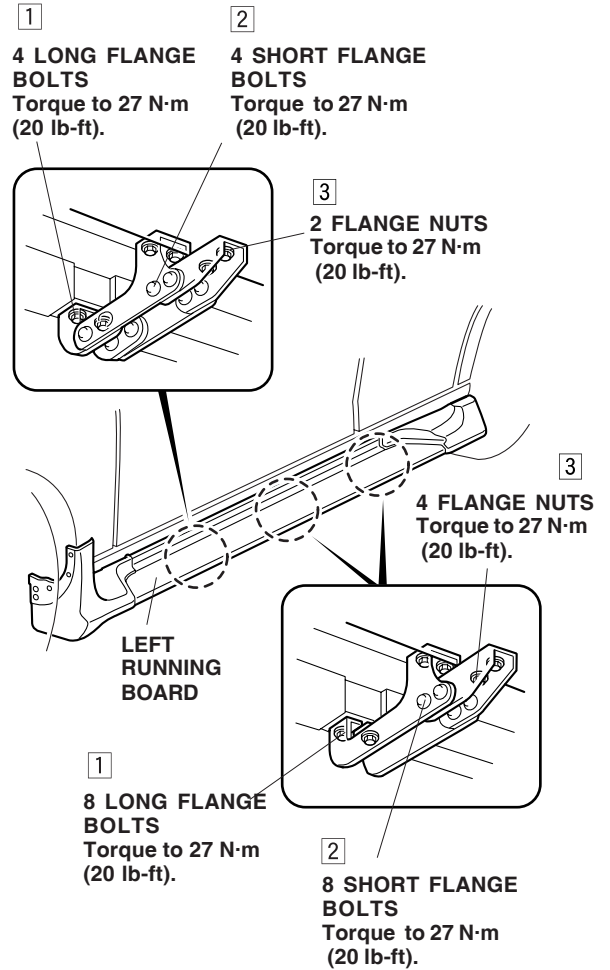
- Position the left running board on the brackets using the twelve short flange bolts and twelve flange nuts. Thread the short flange bolts in about 3 or 4 threads.



7. Insert the retaining tab on the left running board into the square hole in the left front inner fender. Position the left running board on the left front inner fender and install the five self-tapping screws that you removed in the step 2.



8. Tighten the long flange bolts you installed in step 4. Torque the long flange bolts to 27 N·m (20 lb-ft).



9. While holding the running board firmly against the body, torque the short flange bolts you installed in step 6 to 27 N·m (20 lb-ft).
10. While holding the running board firmly against the body, torque the flange nuts to 27 N·m (20 lb-ft).
11. Repeat steps 2 through 10 to install the running board on the right side of the vehicle.