

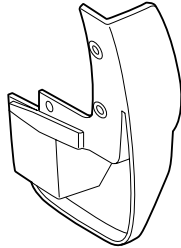


# INSTALLATION INSTRUCTIONS

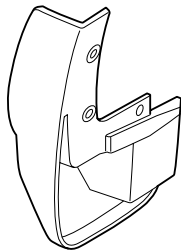
Accessory <b>SPLASH GUARDS 08P00-SCV-100A</b>	Application <b>2008 ELEMENT</b>	Publications No. <b>All 36492</b>
		Issue Date <b>MAY 2007</b>

## PARTS LIST

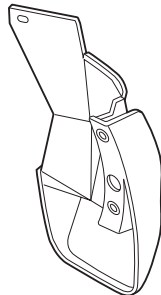
Left front splash guard



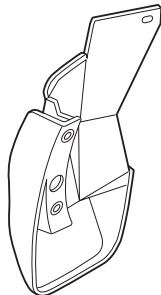
Right front splash guard



Left rear splash guard



Right rear splash guard



6 Self-tapping screws



4 Clip nuts



2 Screw grommets



## TOOLS REQUIRED

Stubby Phillips screwdriver

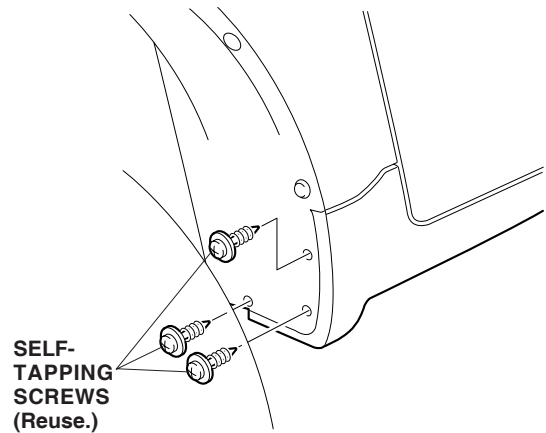
Phillips screwdriver

## INSTALLATION

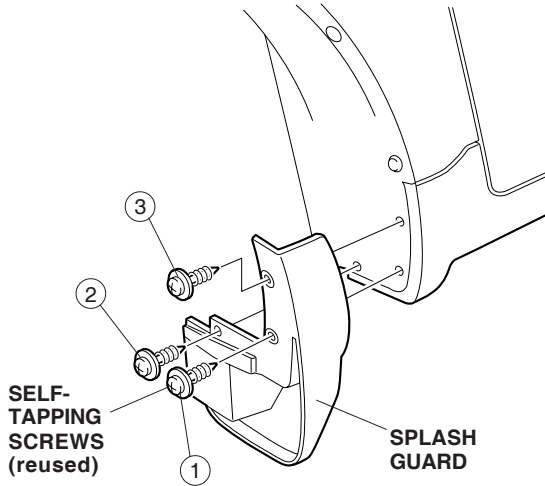
NOTE: These installation instructions show the left splash guards being installed. The same procedure applies to installing the right splash guards.

### Installing The Front Splash guards

1. Make sure the area to be covered is clean and has been waxed with a high-quality paste wax.
2. Turn the steering wheel all the way counterclockwise.
3. Remove and retain the three self-tapping screws that fasten the left front inner fender to the front fender and fenderwell.



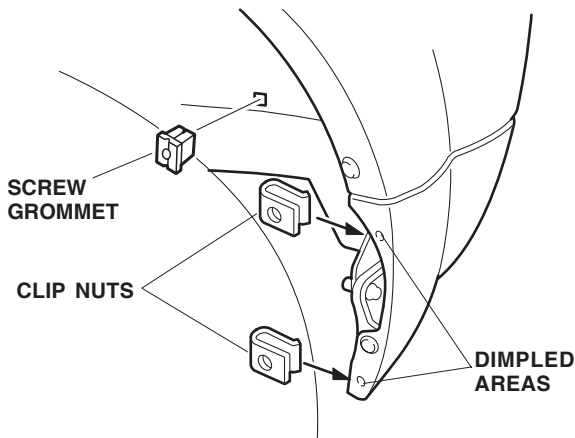
- Position the splash guard on the left front inner fender with the bottom portion over the inner fender. Loosely install the three self-tapping screws you removed. While holding the splash guard against the fender, tighten the self-tapping screws in the order shown.



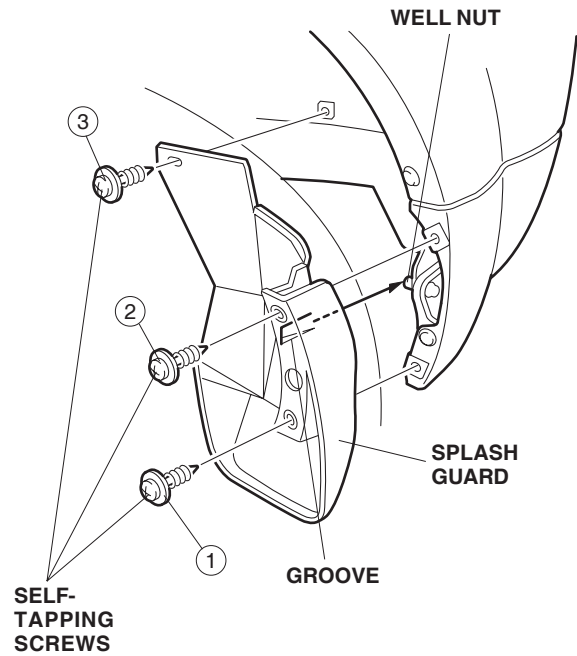
- Turn the steering wheel all the way clockwise, and repeat steps 3 and 4 to install the right front splash guard.

#### Installing The Rear Splash Guards

- Slide two clip nuts over the dimpled areas of the rear bumper, and press one screw grommet into the hole in the fenderwell.



- Position the left rear splash guard on the fender and bumper, and align the groove in the splash guard with the vehicle well nut. Loosely install three of the self-tapping screws provided. While holding the splash guard against the rear bumper, tighten the self-tapping screws in the order shown.



- Repeat steps 6 and 7 to install the right rear splash guard.