



# INSTALLATION INSTRUCTIONS

Accessory

**EXHAUST PIPE TRIM**  
P/N 08F53-SNA-100

Application

**2008 CIVIC**  
**HYBRID**

Publications No.

**All 37965**

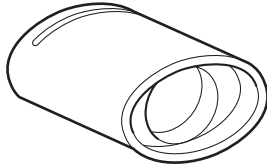
Issue Date

**SEP 2007**

**Put this information in the glove box with the vehicle owner's manual.**

## PARTS LIST

Exhaust pipe trim



Flange bolt



## TOOLS REQUIRED

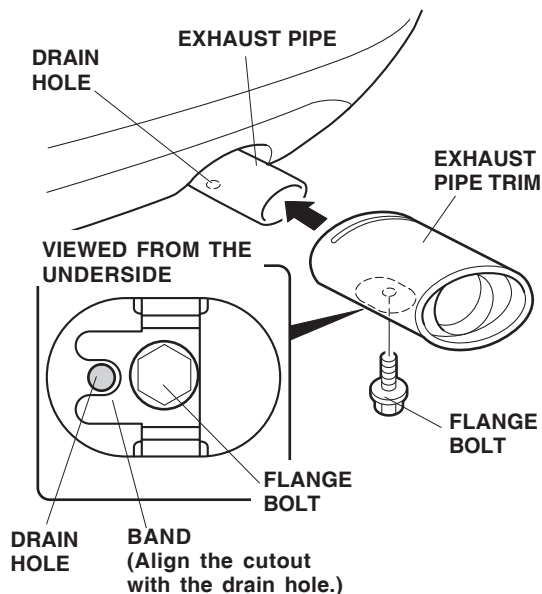
10 mm Socket

Torque wrench

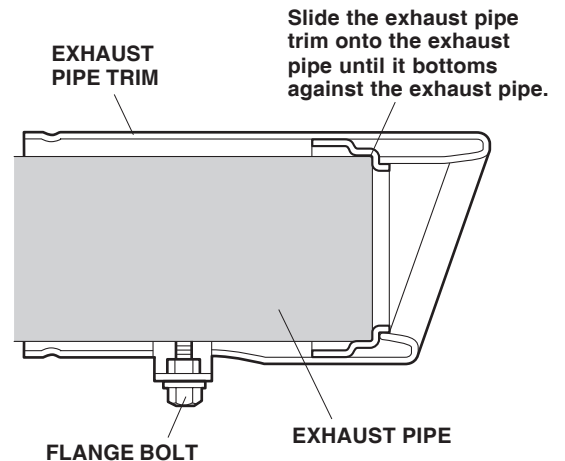
## INSTALLATION

**NOTE:** Allow the exhaust pipe to cool down before you install the exhaust pipe trim.

1. Slide the exhaust pipe trim onto the exhaust pipe with the bolt hole facing down. Partially thread the flange bolt into the exhaust pipe trim. Align the cutout in the exhaust pipe trim band with the drain hole in the exhaust pipe.



2. Slide the exhaust pipe trim onto the exhaust pipe until it bottoms against the exhaust pipe.



3. Tighten the flange bolt to the specified torque. Tightening torque: 10 N·m (1 kgf·m, 7 lbs·ft)
  - Tighten the flange bolt to the specified torque while pushing the exhaust pipe trim firmly against the exhaust pipe.
  - Do not overtighten the flange bolt or you may damage the exhaust pipe.
4. Start the engine, and rev it a few times. Listen for vibration from the exhaust pipe trim, and adjust if necessary.