



# INSTALLATION INSTRUCTIONS

Accessory

**SNOWBOARD ATTACHMENT  
P/N 08L03-SCV-100**

Application

**2008 CR-V**

Publications No.

**All 37533**

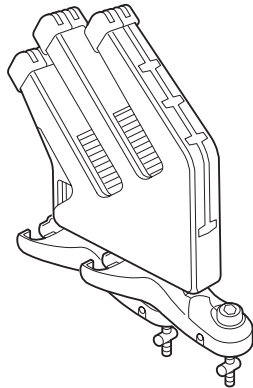
Issue Date

**AUG 2007**

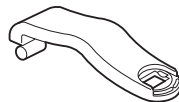
**Put this information in the glove box with the vehicle owner's manual.**

## PARTS LIST

2 Snowboard carriers



4 Bottom clamps



16 Rubber blocks



4 Torx screws



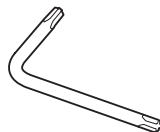
4 Board supports



2 Keys



Torx wrench



2 Locking cables



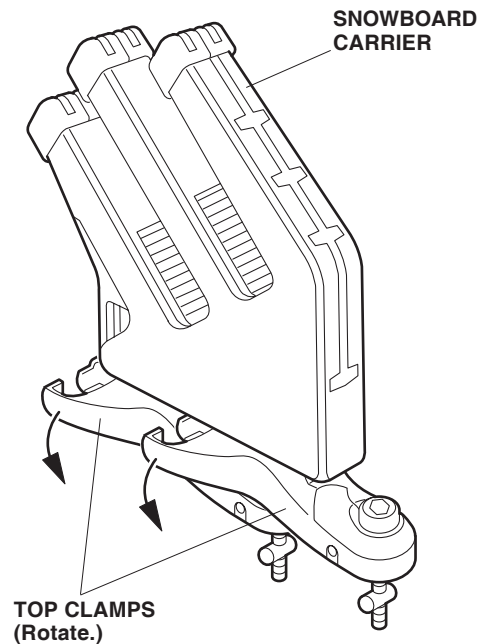
2 Board protectors



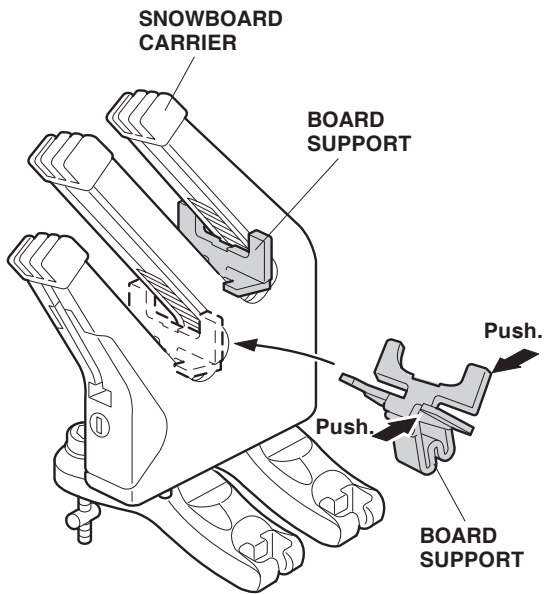
## INSTALLATION

**NOTE:** Be careful not to damage the body paint finish.

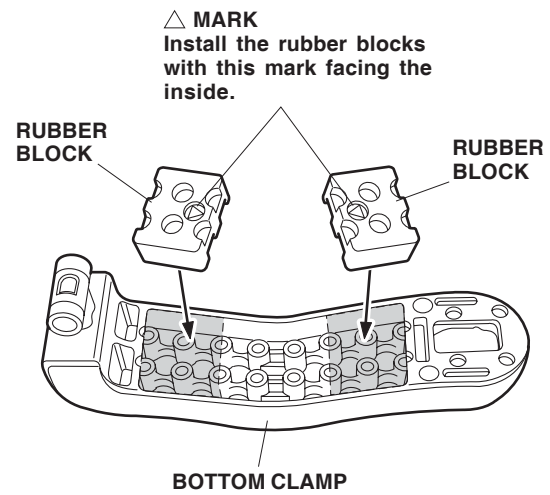
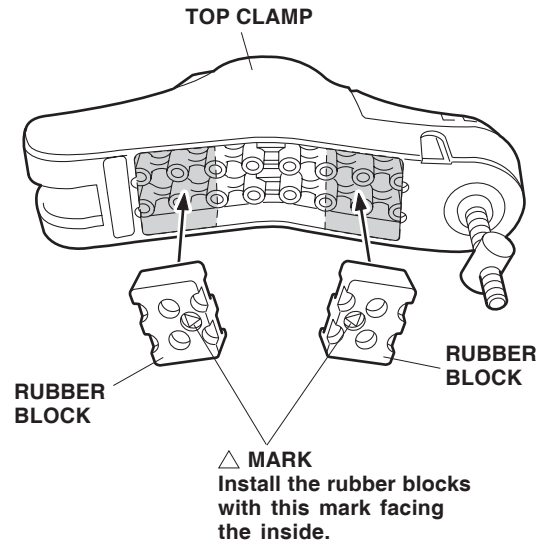
1. Rotate the two top clamps of the snowboard carrier so they are perpendicular to the snowboard carrier.



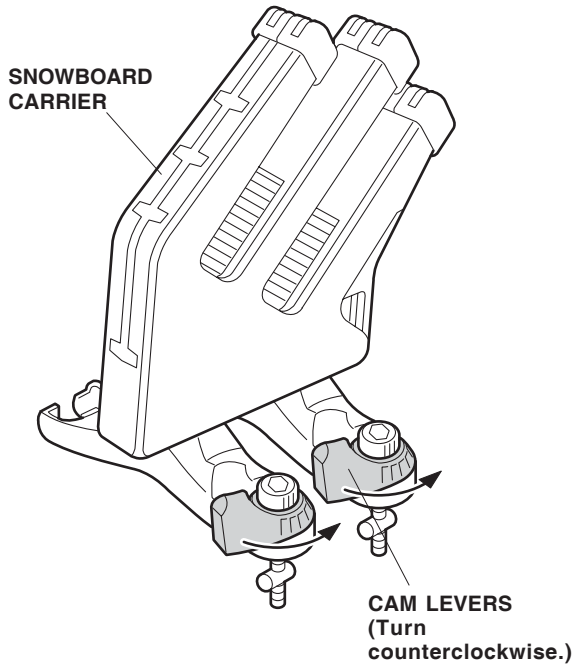
2. Install two board supports on the snowboard carrier.



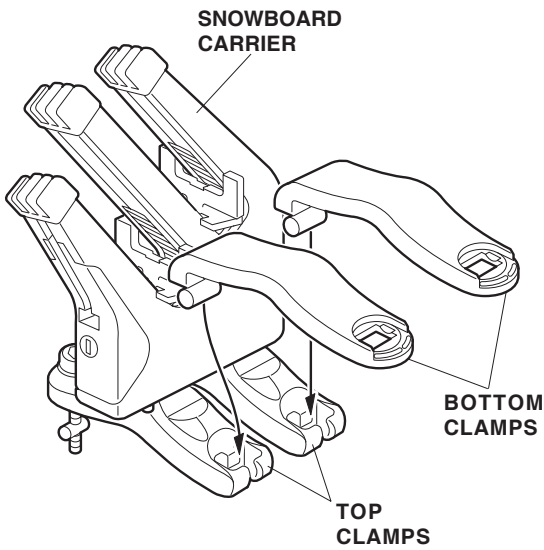
3. Install four rubber blocks on the top and bottom clamps. Install the rubber blocks with each triangular mark "△" facing the inside.



- Turn the cam levers on the top clamp counterclockwise.

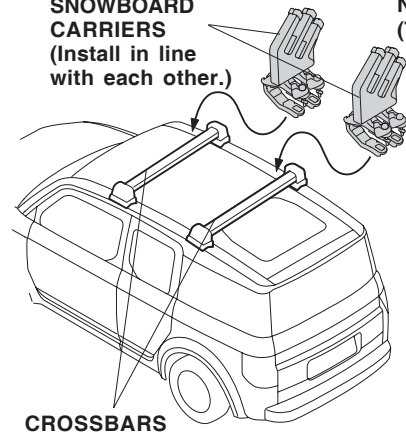
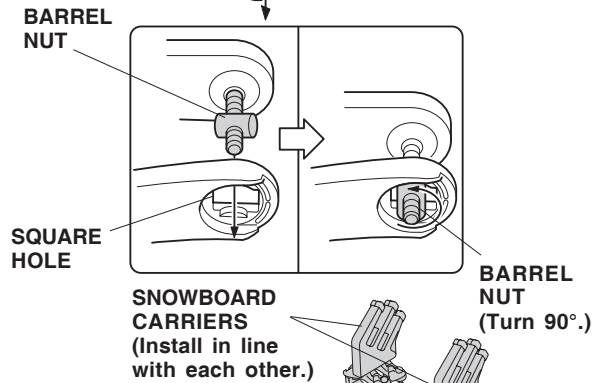
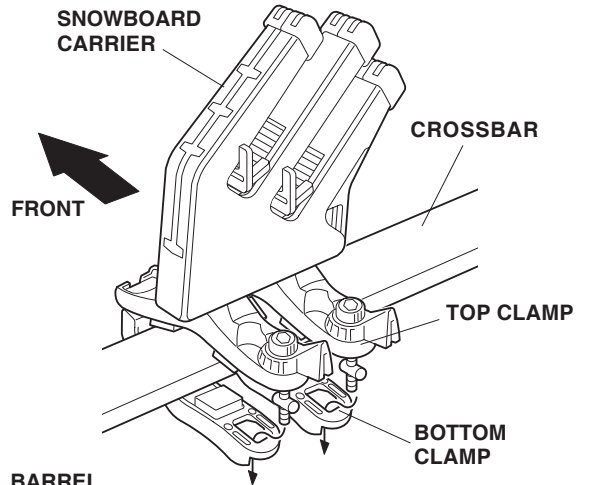


- Attach the two bottom clamps to the two top clamps.

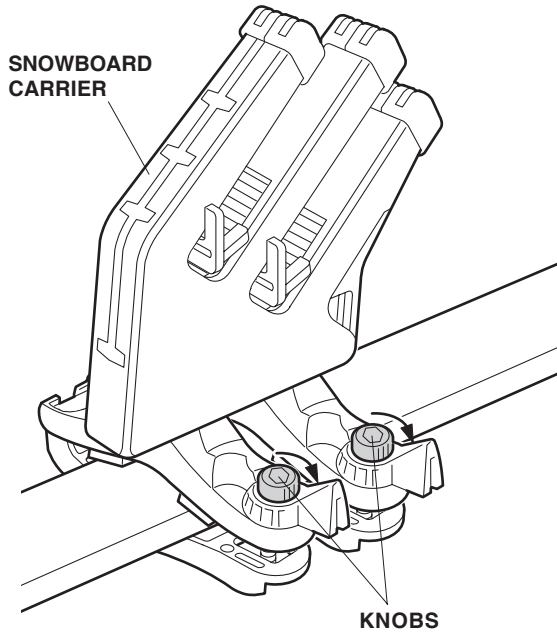


- Repeat steps 1 thru 5 to assemble the other carrier.

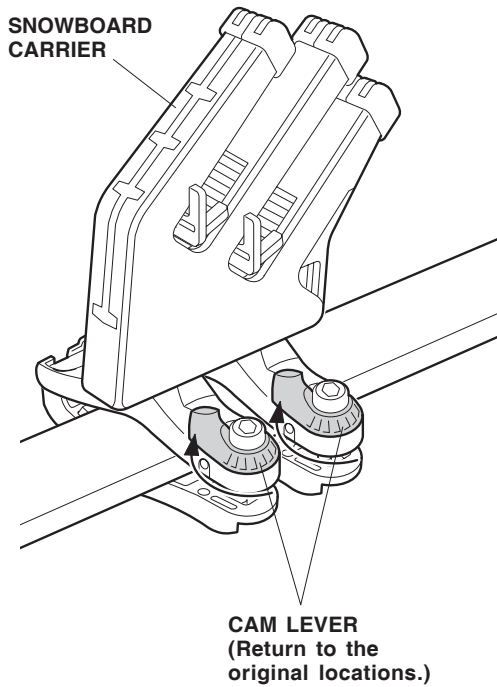
- Attach one carrier to the front crossbar in the direction shown. Insert the barrel nuts on the top clamp into the square holes in the bottom clamp, and turn the nuts 90° to lock them into position. Install the other carrier to the rear crossbar using the same procedure. Make sure the rear snowboard carrier is in line with the front snowboard carrier.



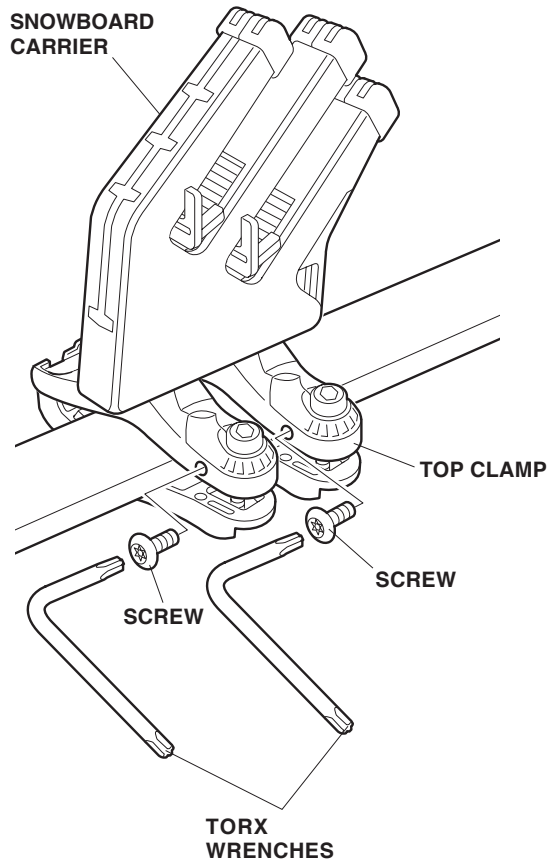
8. Turn the knobs on the top clamp to tighten the front carrier.



9. Return the cam levers to the original location (turn clockwise).

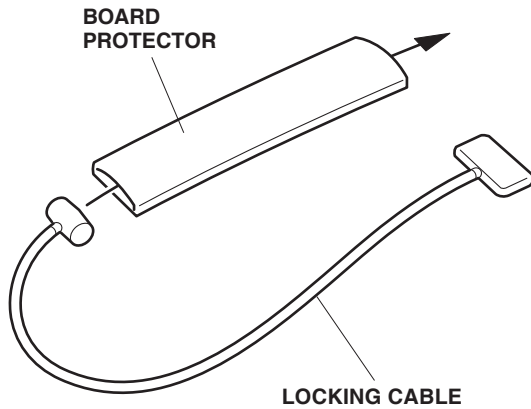


10. To help deter theft, install the screws in the holes in the top clamps.

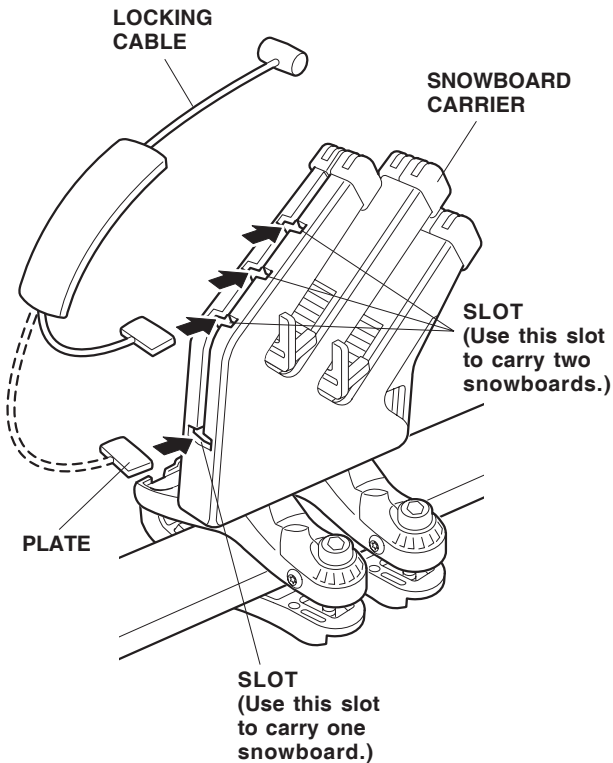


11. Repeat steps 8 thru 10 to tighten the other carrier.
12. Rock the carriers in all directions to make sure they are securely installed.

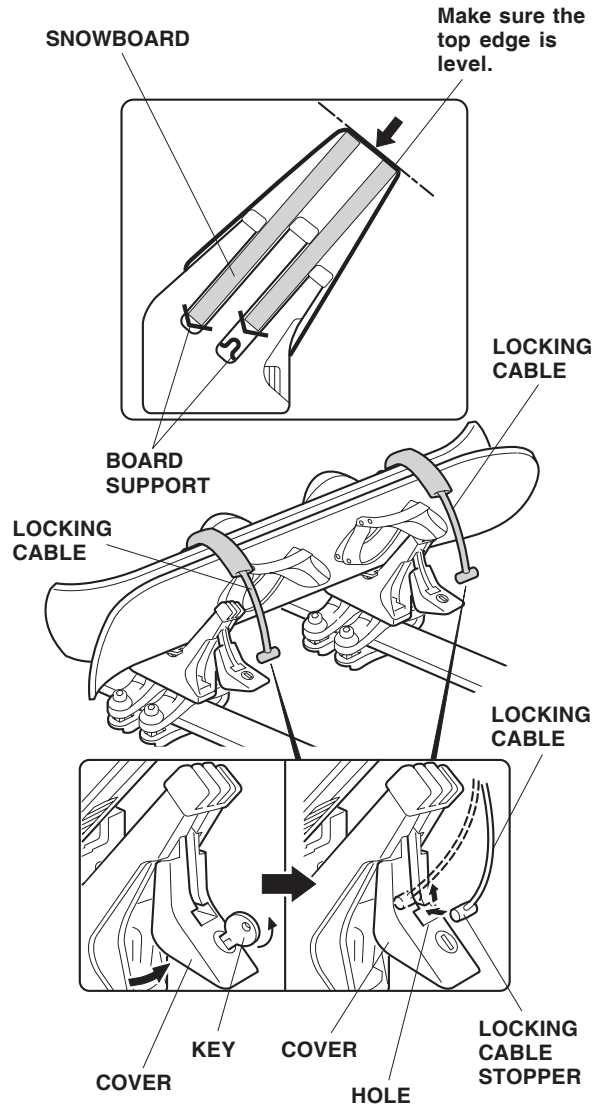
13. Thread the locking cables through the board protectors.



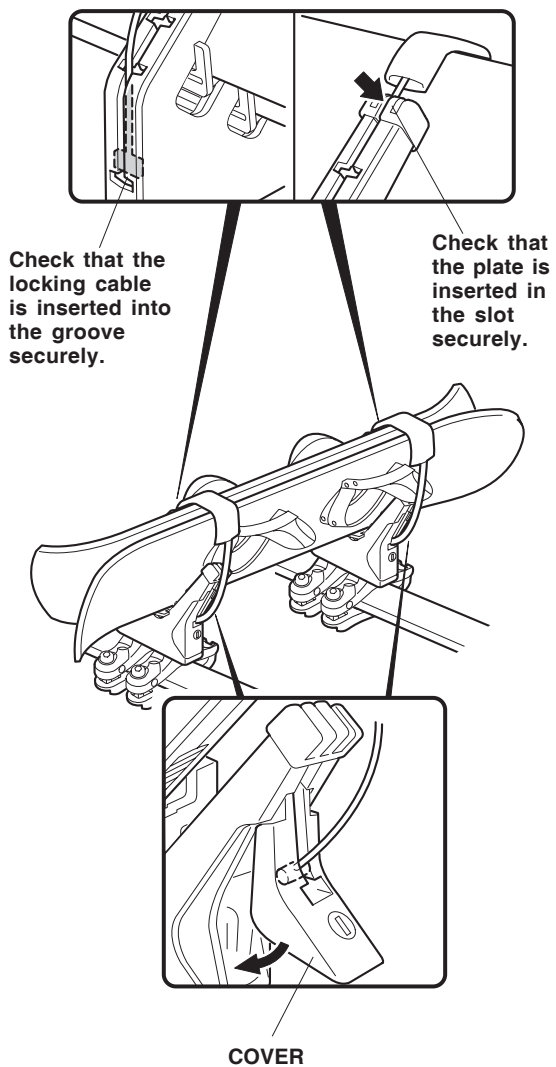
14. Insert the locking cable plate into the slot of the snowboard carrier. To carry one snowboard, insert the plate into the lowest slot. To carry two snowboards, use one of the three upper slots in the carrier.



15. After loading each snowboard on to the carrier, adjust it with the help of the board supports so that the top edges are level and the boards are as far down in the carrier as possible. To secure the snowboard, use the key to open the covers, then insert the locking cable stoppers into the holes of the carrier covers.



16. Check that the locking cables are installed securely, then close the covers.



17. The cover must be locked during transportation.

