

HONDA INSTALLATION INSTRUCTIONS

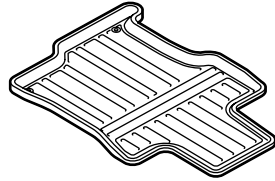
Accessory
FLOOR MAT (ALL SEASON)
P/N 08P13-TE0-100

Application
2008 ACCORD
2-DOOR

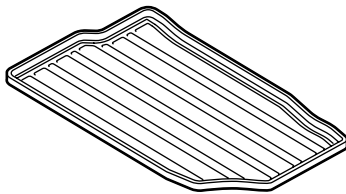
Publications No.
All 37560
Issue Date
SEP 2007

PARTS LIST

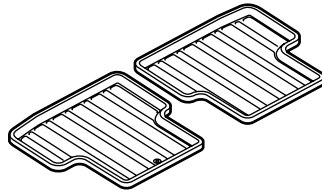
Driver's side front floor mat



Passenger's side front floor mat



2 Rear floor mats



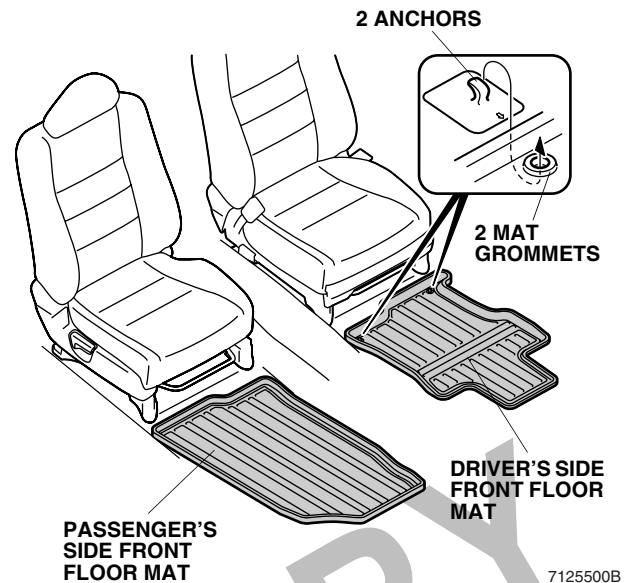
INSTALLATION

NOTE:

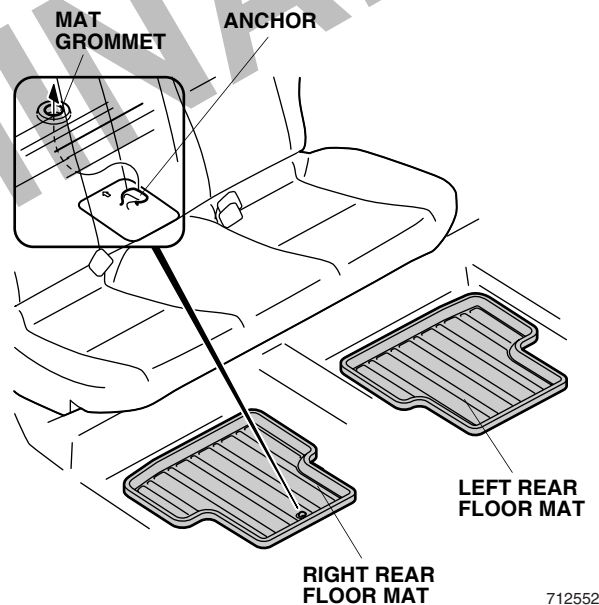
- Before installing, identify each floor mat.
- Remove the standard floor mats before installing these floor mats.
- This vehicle is equipped with two floor carpet anchors on the drivers side; the anchors prevent the driver's side front floor mat from sliding forward and interfering with the pedals.
- If you remove the driver's front floor mat, make sure you re-anchor it when you put it back in the vehicle.

Installing the Floor Mats

1. Install the driver's side front floor mat by placing the two mat grommets over the two anchors on the floor carpet.
2. Install the passenger's side front floor mat.



3. Install the left rear floor mat.



4. Install the right rear floor mat by placing the mat grommet over the anchor on the floor.