



# INSTALLATION INSTRUCTIONS

Accessory

**SECURITY HOOD SWITCH  
P/N 08E49-S2A-100**

Application

**2007 S2000**

Publications No.

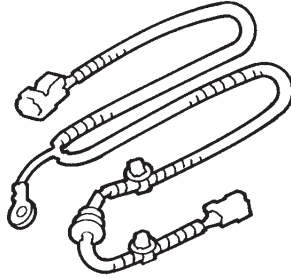
**All 33377**

Issue Date

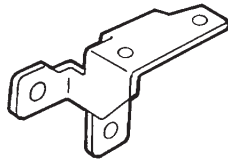
**AUG 2006**

## PARTS LIST

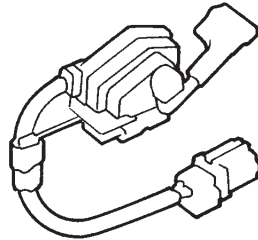
Hood switch harness



Hood switch bracket



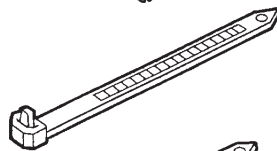
Hood switch



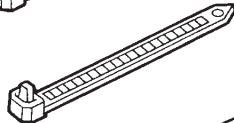
Ground bolt



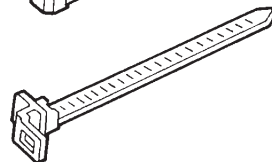
12 Long wire ties



2 Short wire ties



Wire tie with holder



Washer-bolt, 6 mm



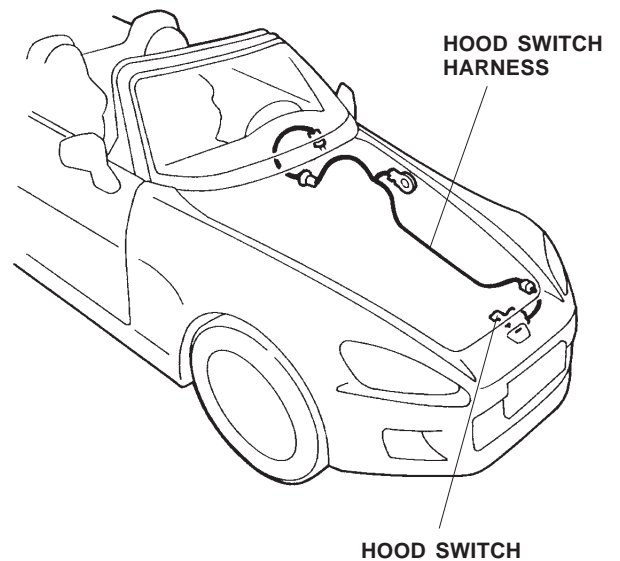
Flange nut, 6 mm



## TOOLS AND SUPPLIES REQUIRED

- #2 Phillips screwdriver
- Flat-tip screwdriver
- Ratchet
- 10 mm Socket
- 10 mm Combination wrench
- Diagonal cutters
- Utility knife
- Piece of wire

## Illustration of the Hood Switch Installed on the Vehicle

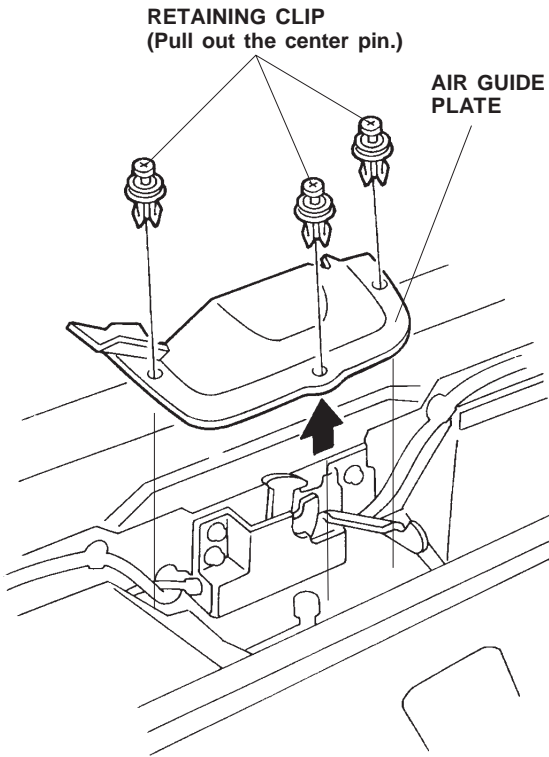


## INSTALLATION

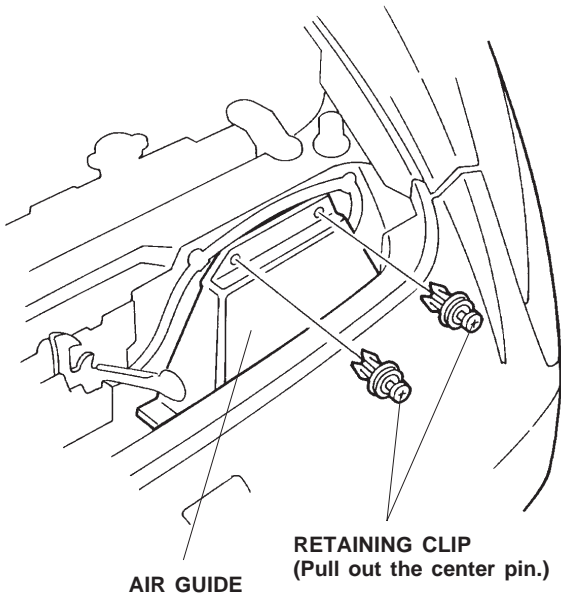
**Customer Information:** The information in this installation instruction is intended for use only by skilled technicians who have the proper tools, equipment, and training to correctly and safely add equipment to your vehicle. These procedures should not be attempted by "do-it-yourselfers."

1. Make sure you have the anti-theft code for the radio, then write down the radio station presets.
2. Disconnect the negative cable from the battery.

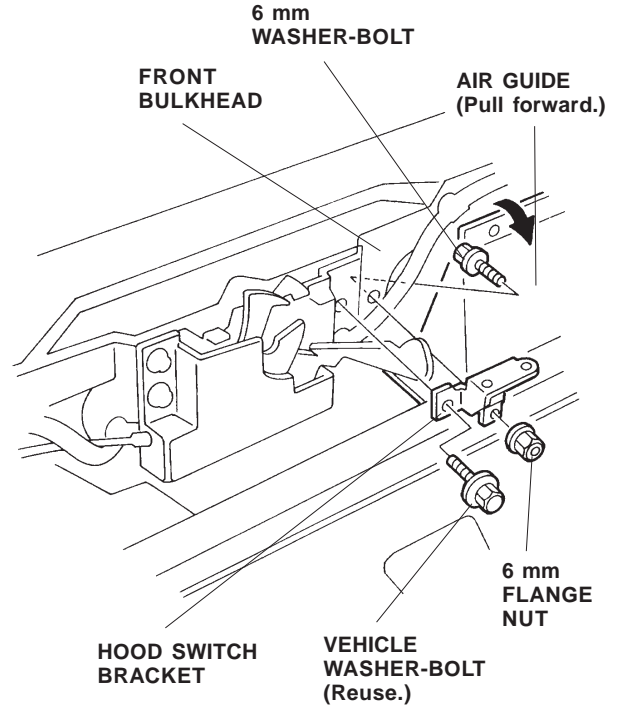
3. Open the hood, and remove the air guide plate cover (three retaining clips).



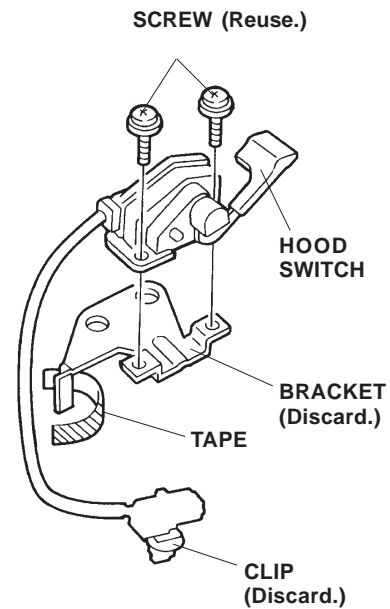
4. Remove the two retaining clips from the left (driver's) side of the air guide.



5. Remove the left (driver's side) washer-bolt that secures the hood switch bracket on the front bulkhead, and reinstall the hood switch bracket on the front bulkhead, and reinstall the washer-bolt; then install the 6 mm washer-bolt and flange nut from the kit. You may need to pull the air guide forward to install the washer-bolt and flange nut.

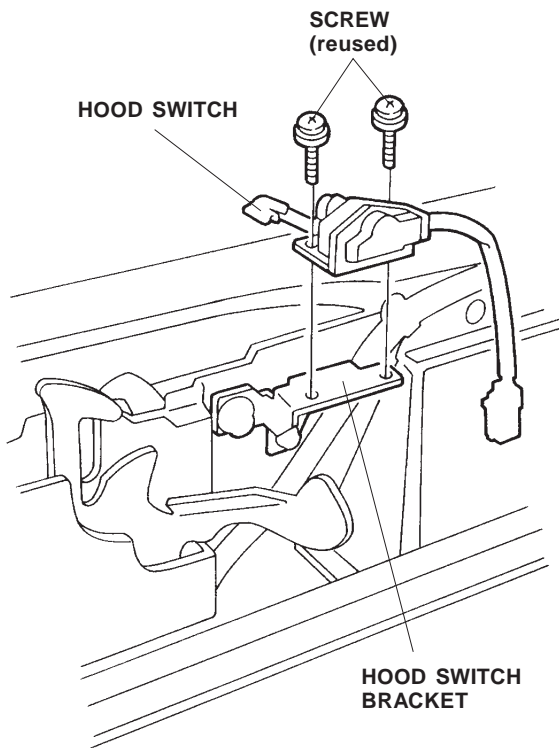


6. Remove the tape and the two screws that fasten the hood switch to the existing switch bracket, then remove and discard the existing bracket. Save the screws; they will be reused.

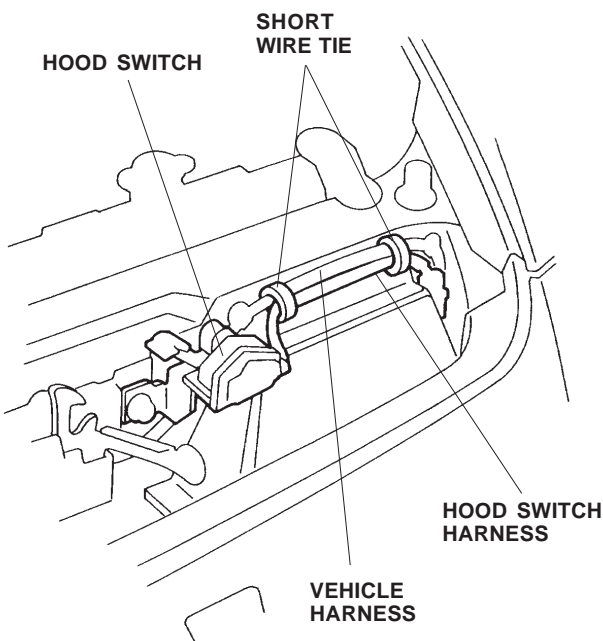


7. Remove and discard the clip from the hood switch connector.

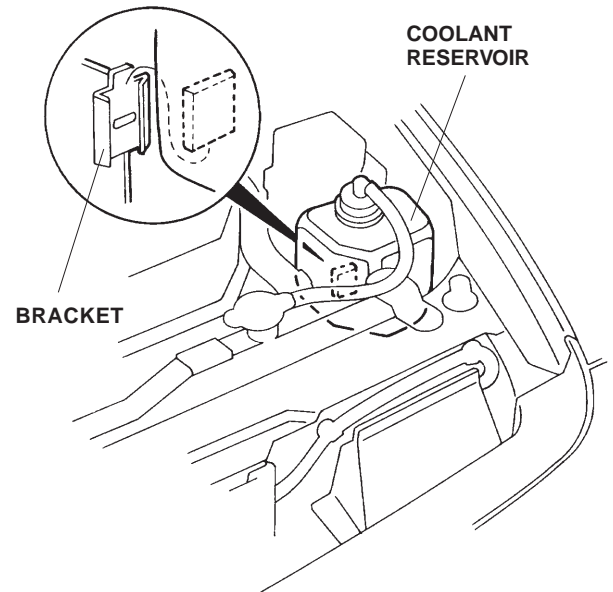
8. Position the hood switch on the hood switch bracket you installed in step 5, and install the two screws you removed in step 6. Tighten the screws securely.



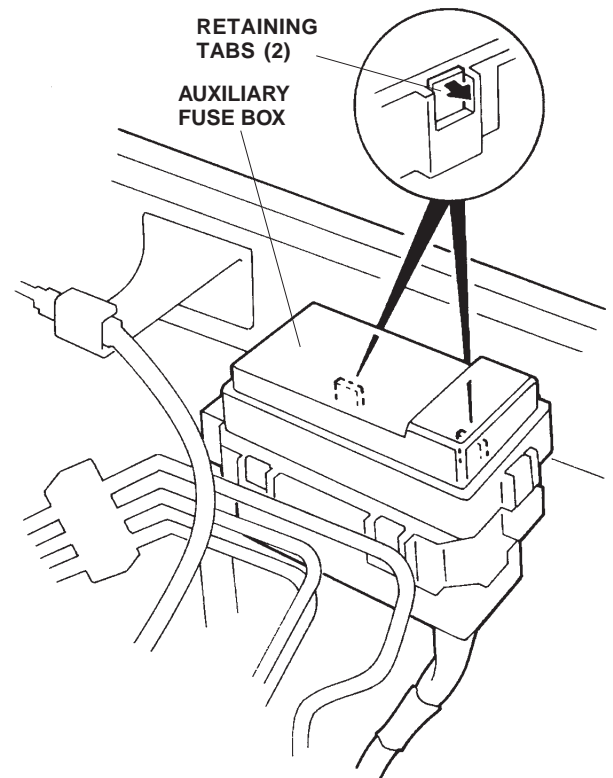
9. Route the hood switch wire harness as shown, and secure it to the vehicle harness with two short wire ties.



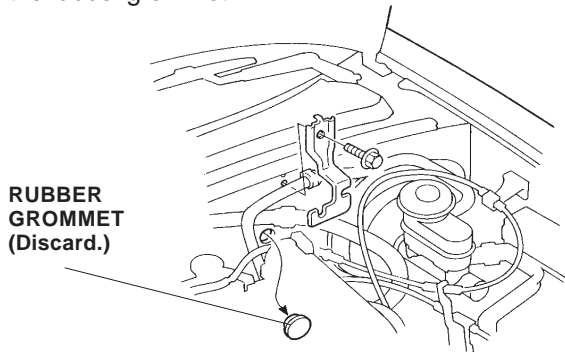
10. Lift up the coolant reservoir to remove it from the bracket, and set it aside.



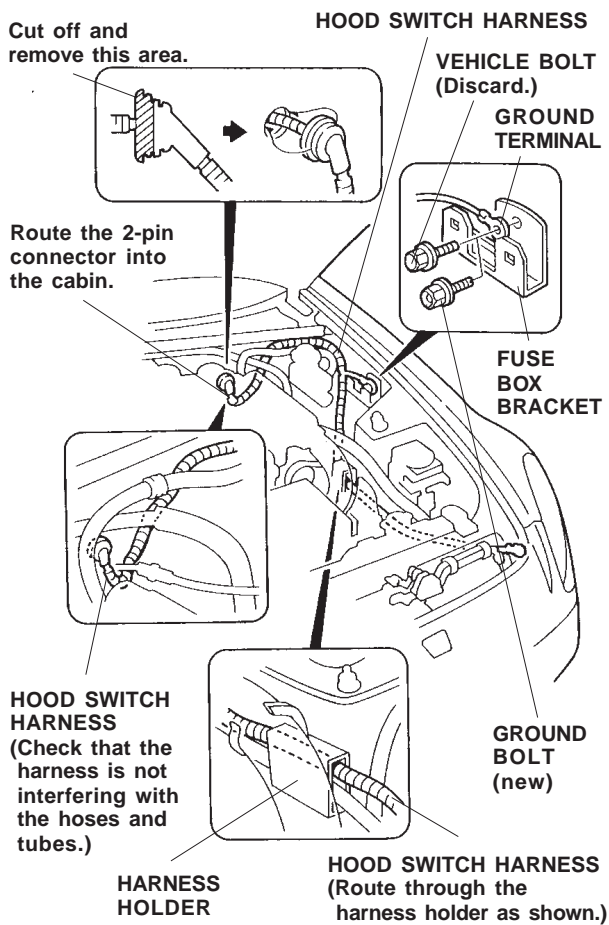
11. Move the auxiliary fuse box up and out of the way by releasing the two retaining tabs.



- At the front bulkhead, remove the bolt and the throttle cable bracket. Locate, remove, and discard the rubber grommet.

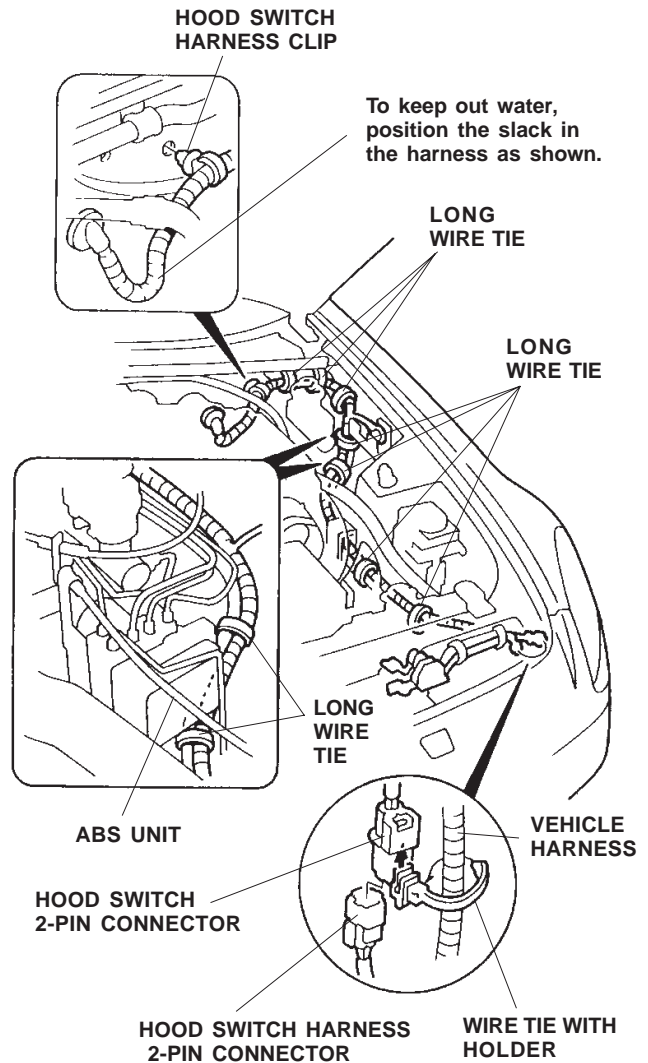


- Get the hood switch harness. Using a utility knife, cut off and remove the marked area of the rubber grommet. Be careful not to damage the hood switch harness.



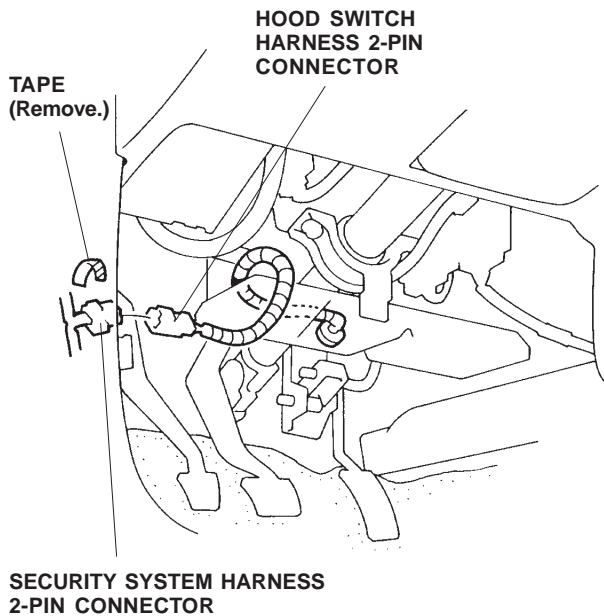
- Route the hood switch harness 2-pin connector (grommet end) into the passenger's compartment through the hole in the front bulkhead. Seat the grommet on the harness properly into the hole.
- Route the hood switch harness toward the front of the vehicle.

- Remove and discard the vehicle bolt that secures the fuse box bracket, and attach the ground terminal to the fuse box bracket with the ground bolt provided.
- Plug the hood switch harness 2-pin connector into the 2-pin connector of the hood switch. Slide the wire tie with holder onto the hood switch 2-pin connector, then attach the wire tie with holder to the vehicle harness.

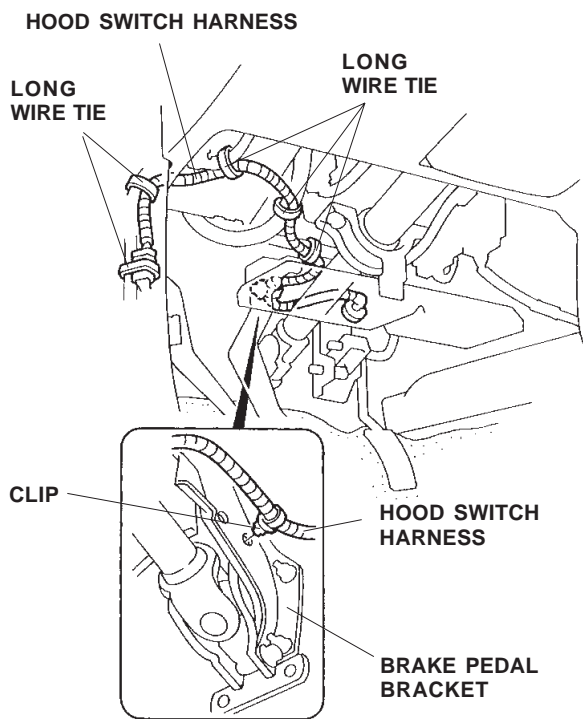


- Push the hood switch harness clip into the hole in the inner panel.
- Secure the hood switch harness to the vehicle harness with seven long wire ties in the areas shown.

20. Inside the passenger compartment, locate the 2-pin connector blue-taped to the security system harness. Remove the blue tape to free the connector.



21. Route the hood switch harness 2-pin connector to the security system 2-pin connector, and plug in the connectors.
22. Push the clip on the hood switch harness into the hole in the brake pedal bracket.



23. Secure the hood switch harness to the vehicle harness with five long wire ties in the areas shown.

24. Check that all wire harnesses are routed properly and all connectors are plugged in.
25. Reinstall all removed parts.
26. Reconnect the negative cable to the battery.
27. Enter the customer's radio anti-theft code, and reset the radio station presets.
28. Reset the clock.
29. Check operation of the hood switch according to the Security System Owner's Manual supplied.
30. Do the PCM idle learn procedure:
  - Make sure all electrical items (A/C, audio, rear window defogger, lights, etc.) are off.
  - Start the engine, and let it warm up to its operating temperature (the cooling fans cycle twice).
  - Let the engine idle (throttle closed and all electrical items off) for 10 minutes.