



# INSTALLATION INSTRUCTIONS

Accessory

**FRONT GRILLE**  
P/N 08F21-S9V-100

Application

**2007 PILOT**

Publications No.

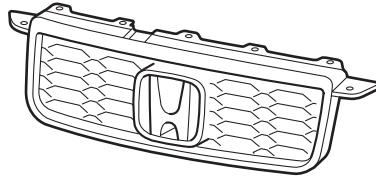
**All 33066**

Issue Date

**JULY 2006**

## PARTS LIST

Front grille



## TOOLS AND SUPPLIES REQUIRED

Phillips screwdriver

Flat-tip screwdriver

Ratchet

10 mm Socket

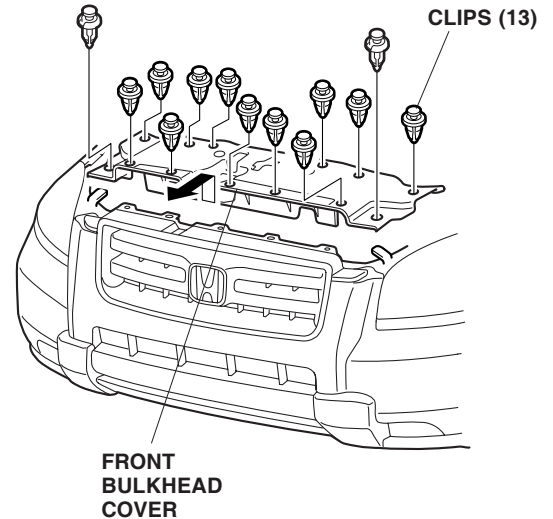
Blanket

## NOTE :

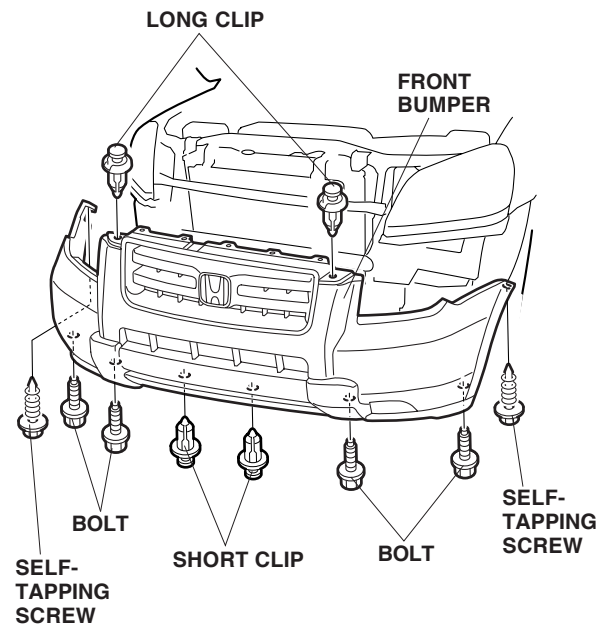
- Before removing parts, note their locations so that they can be reinstalled in their original places correctly.
- Be extremely careful not to damage the front bumper and body paint finish.
- To prevent damage, rest the front bumper on a blanket during the installation.

## Installing the Front Grille

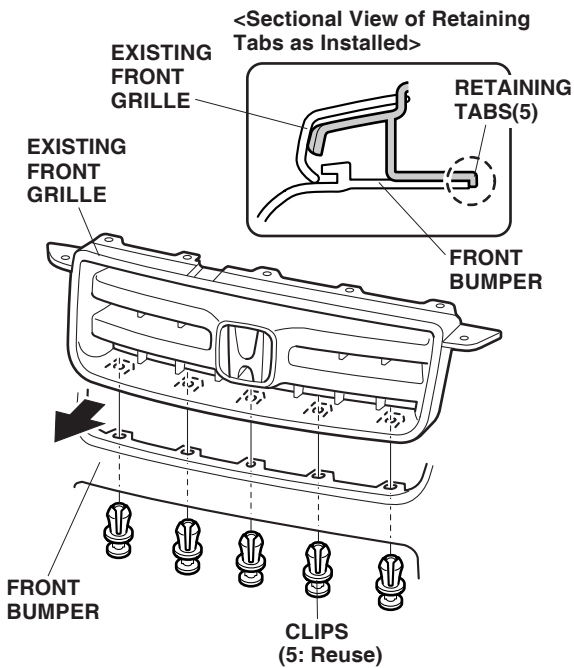
1. Open the hood. Remove the front bulkhead cover (13 clips).



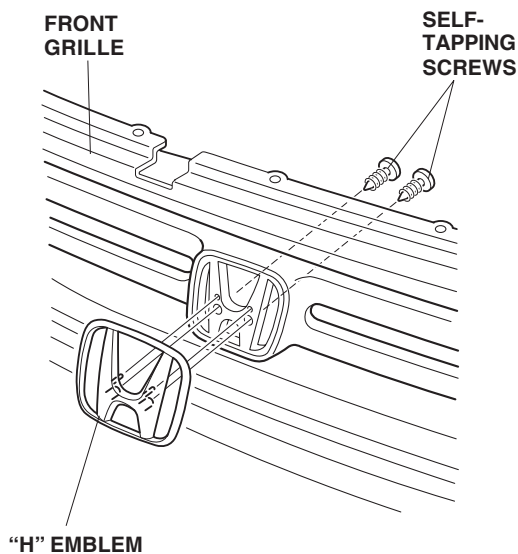
2. Remove the front bumper (two short clips, two self-tapping screws, four bolts, and two long clips). To prevent damage, rest the bumper on a blanket.



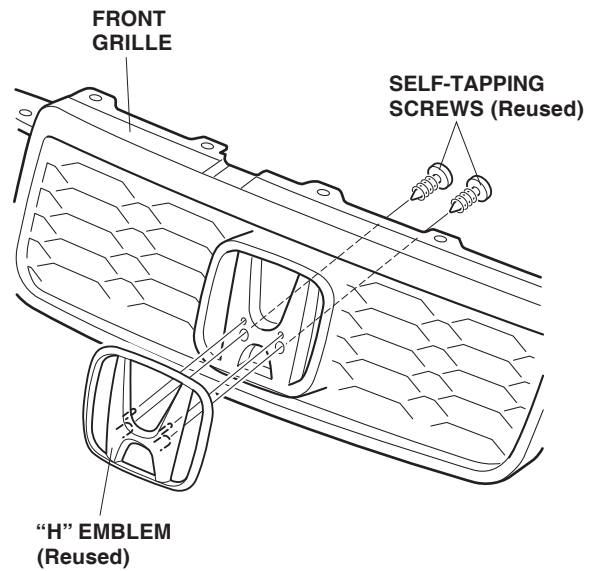
- Remove the five clips and five retaining tabs that secure the existing front grille to the front bumper. Remove the front grille by pulling it out toward you. Take care not to damage the retaining tabs.



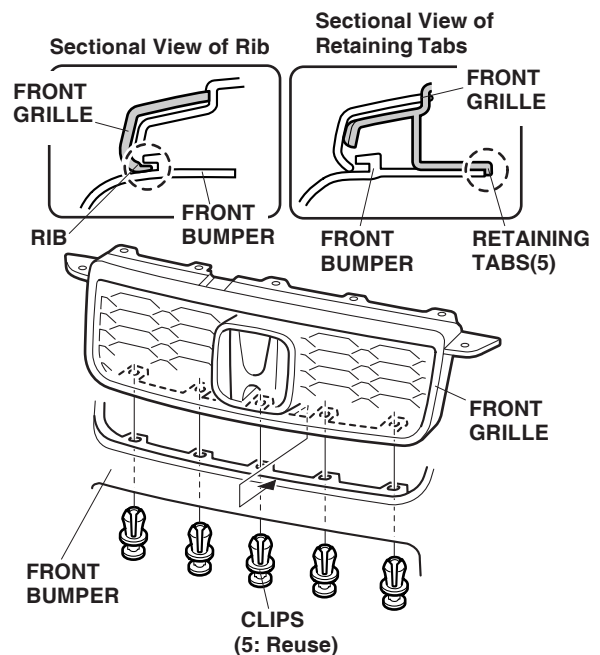
- Remove the front "H" emblem (two self-tapping screws).



- Attach the "H" emblem to the new front grille with the two self-tapping screws you removed.



- Insert the ribs of the front grille into the grooves of the front bumper, then attach the ends of the retaining tabs to the edge of the front bumper. Install the five clips.



- Reinstall all removed parts. Check that all clips and retaining tabs are installed securely.