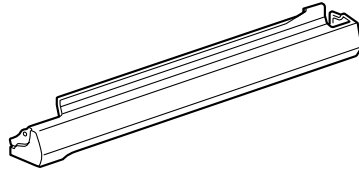
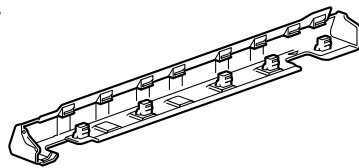


PARTS LIST

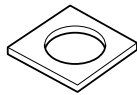
Left side under spoiler



Right side under spoiler



26 Seals

**TOOLS AND SUPPLIES REQUIRED**

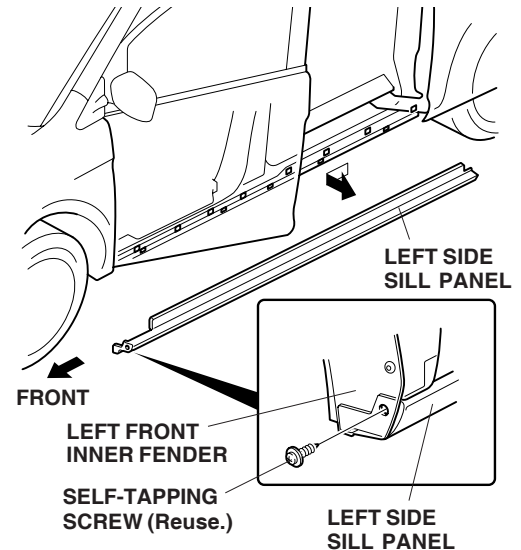
Phillips screwdriver

Blanket

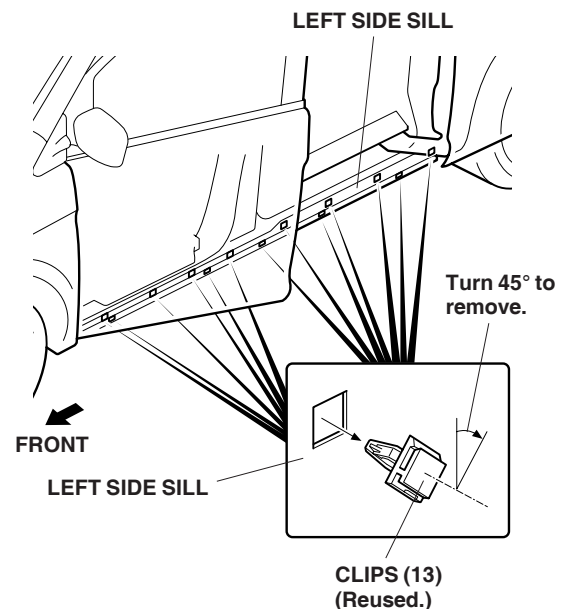
INSTALLATION**NOTE:**

- To prevent damage, place a blanket under the side under spoilers during installation.
- These instructions show the left side under spoiler being installed. The same procedure applies to installing the right side under spoiler.
- Optional splash guards cannot be used with the side under spoilers.

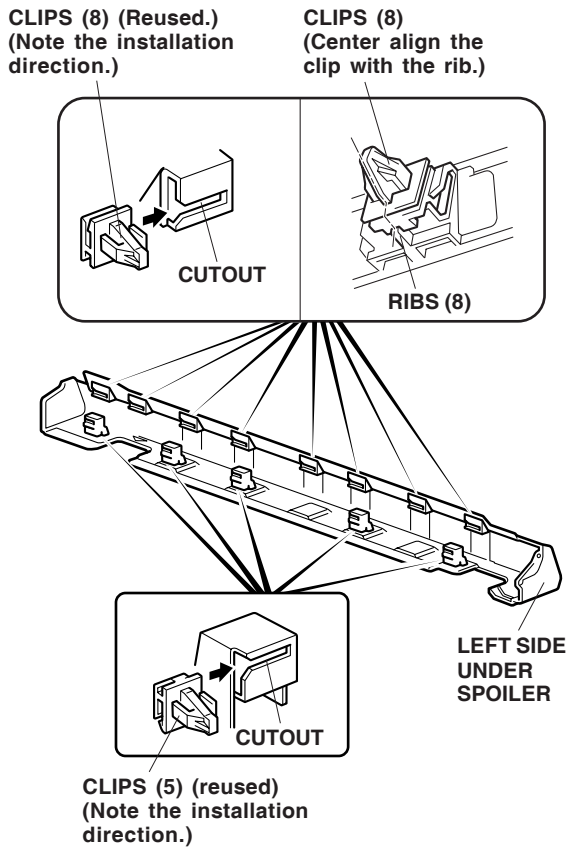
1. Open the front and rear doors. Remove the self-tapping screw that fasten the left side sill panel to the left front inner fender. Slide the side sill panel forward, then remove it by pulling it out toward you.



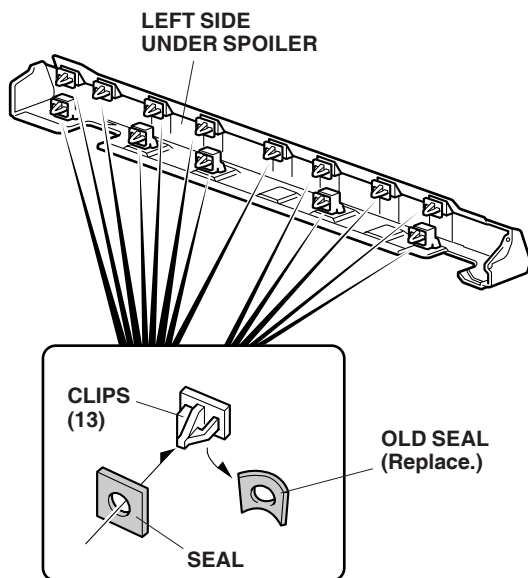
2. Remove the 13 clips from the side sill by turning them 45°.



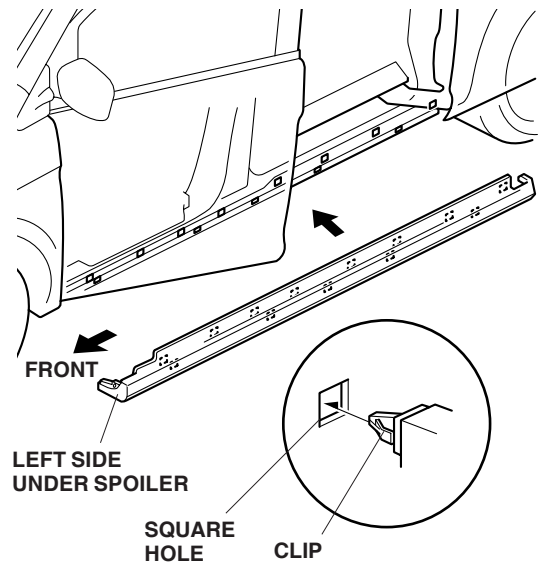
- On the inside of the new under spoiler, install the 13 clips you removed to the holders through the cutout as shown. Make sure the clips fit properly in the cutouts.



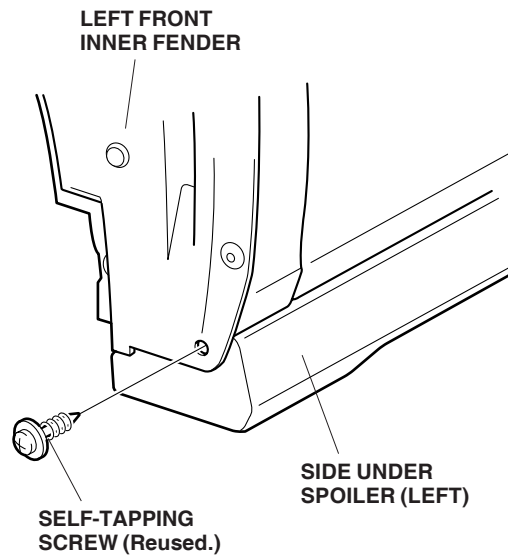
- Remove the old seals from the 13 clips, and install the new seals from the kit.



- Position the left side under spoiler on the body under the front inner fender, and push the clips you just installed into the square holes in the body. Use the palm of your hand to click all 13 clips into place.



- Reinstall the self-tapping screw removed in step 1.



- Repeat steps 1 thru 6 to install the right side under spoiler.