



INSTALLATION INSTRUCTIONS

Accessory

**DOOR VISOR
P/N 08R04-SHJ-100**

Application

2007 ODYSSEY

Publications No.

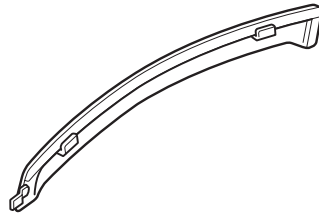
All 33171

Issue Date

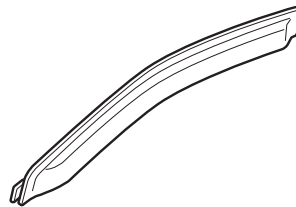
JULY 2006

PARTS LIST

Right front door visor



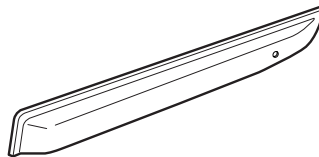
Left front door visor



Right rear door visor



Left rear door visor



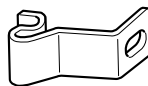
2 Clips



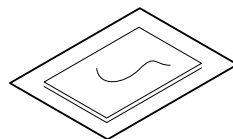
2 Washers



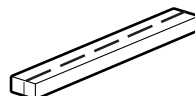
2 Brackets



Primer



2 Sealer



SUPPLIES REQUIRED

Isopropyl alcohol

Shop towel

Masking tape

Tape measure

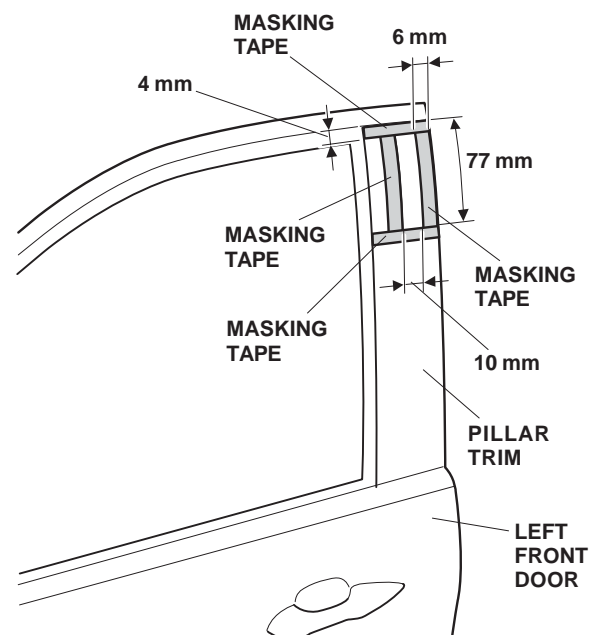
INSTALLATION

NOTE:

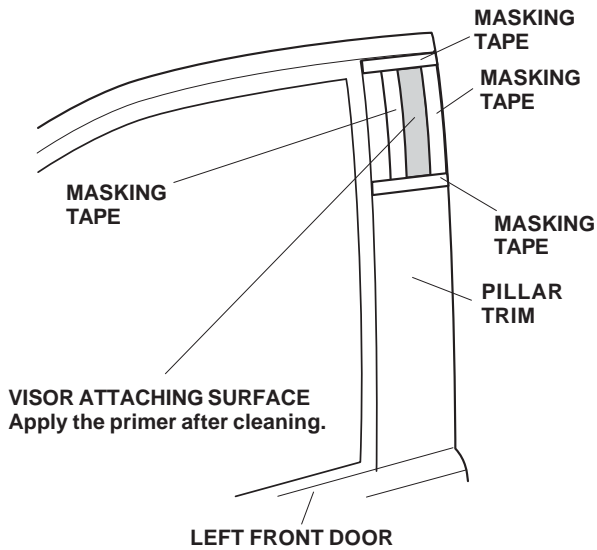
- These instructions show the left door visor being installed. The same procedure applies to installing the right door visor.
- Be careful not to damage the paint finish and glass run channels when installing the door visors.
- Handle the door visors with care. They are not designed to absorb shock or impact.
- This door visor kit should only be installed if the ambient air temperature is above 60°F (15°C).
- To allow the adhesive to cure, do not wash the car for 24 hours.

Installing the Front Door Visor

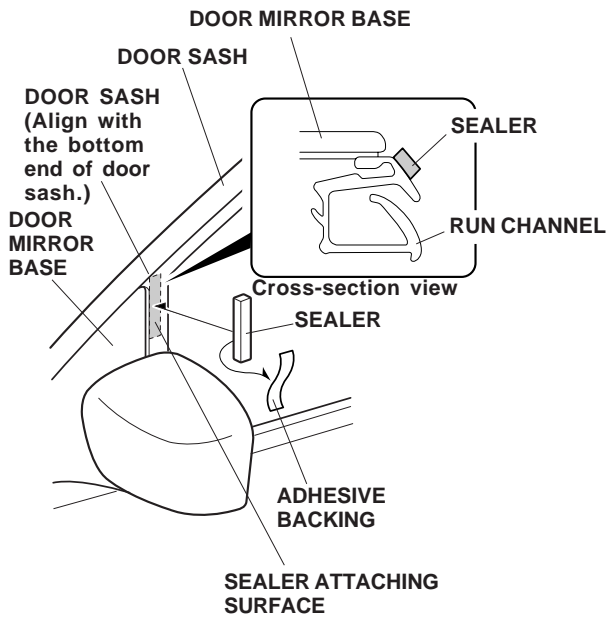
1. Using isopropyl alcohol on a shop towel, clean the entire area where the door visor will attach. Measure and attach masking tape to the pillar trim of the left front door.



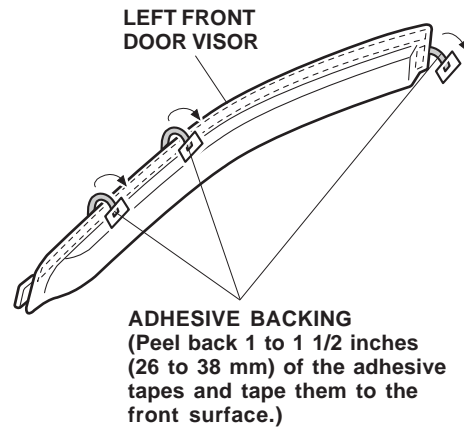
2. Apply primer to the cleaned surface.
 - Wipe up spilled primer at once.
 - Allow the primer to dry for at least 3 minutes before proceeding to the next step.
 - Remove the masking tape.



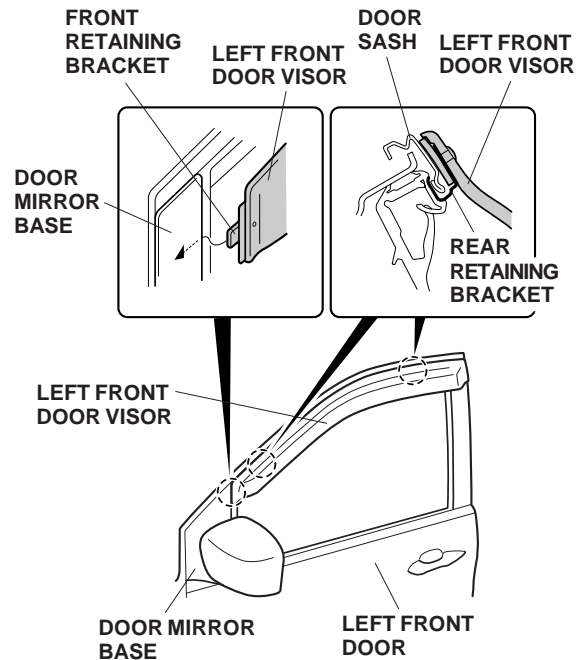
3. Remove the adhesive backing from the sealer and attach the sealer in the position shown.



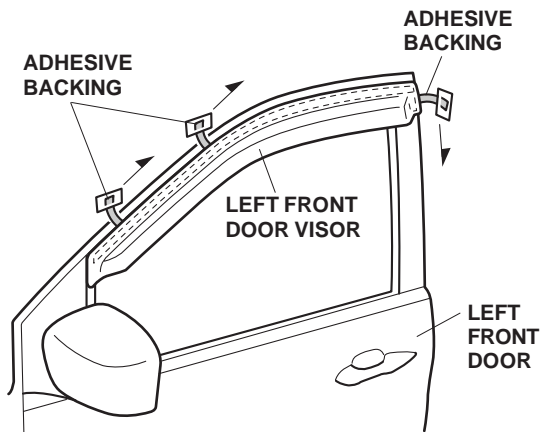
4. On the back of the left front door visor, peel back 1 to 1 1/2 inches (26 to 38 mm) of the adhesive backing, and temporarily attach the backing to the front surface of the door visor with masking tape.



5. Position the left front door visor on the door. Push the front retaining bracket into the door mirror base; push the two rear retaining brackets into the door sash.

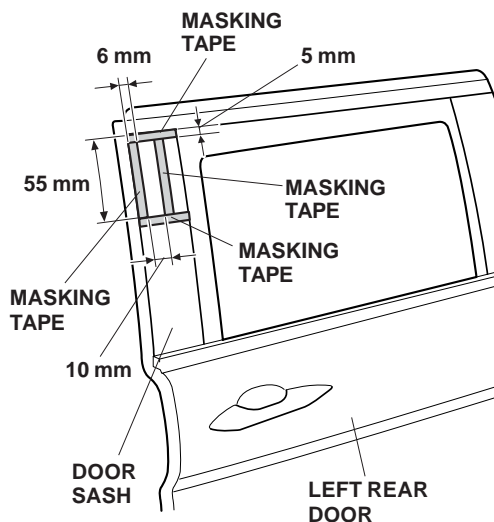


6. While holding light pressure on the door visor, carefully remove the adhesive backings.
 - Check that the two rear retaining brackets are installed in the door sash properly.
 - After removing the adhesive backings, hold the visor firmly against the door sash, with the palm of your hand, particularly at the edges.
 - Do not allow the visor to lift when removing the adhesive backings.

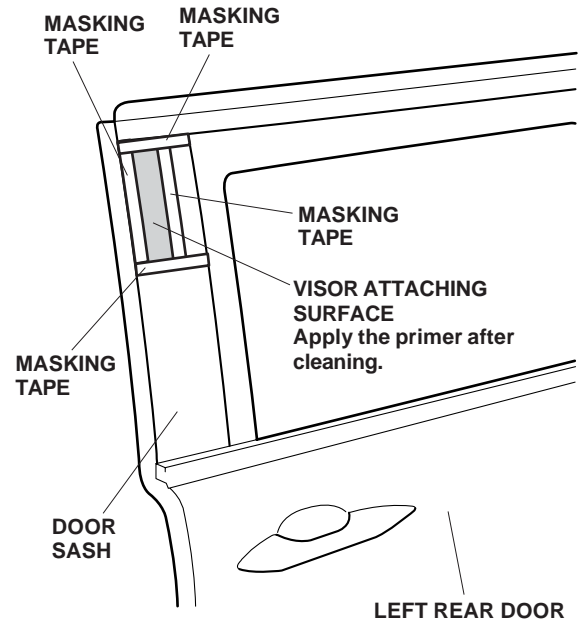


Installing the Rear Door Visor

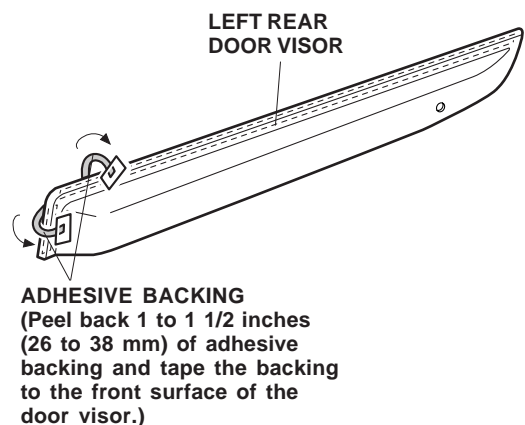
7. Using isopropyl alcohol on a shop towel, clean the entire area where the rear door visor will attach. Measure and attach masking tape to the rear door sash as shown.



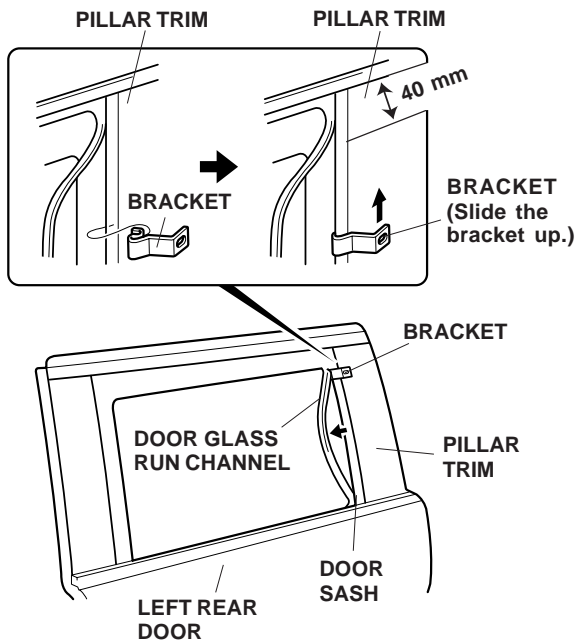
8. Apply primer to the cleaned surface. Remove the masking tape.
 - Wipe up spilled primer at once.
 - Allow the primer to dry for at least 3 minutes before proceeding to the next step.



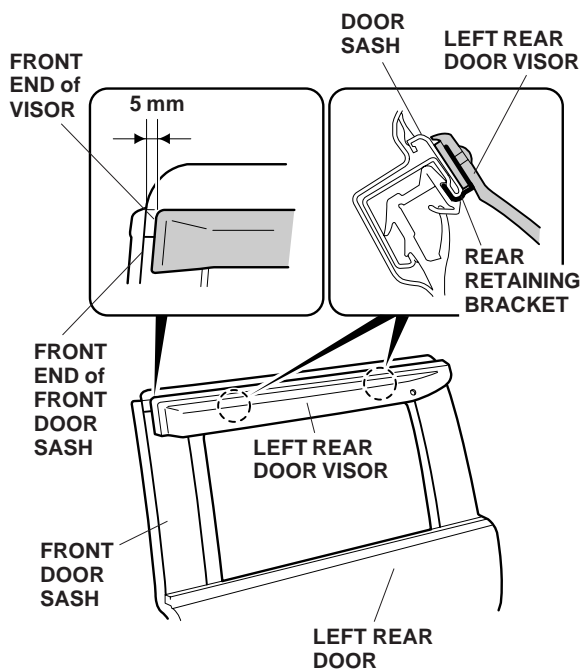
9. On the back of the left rear door visor, peel back 1 to 1 1/2 inches (26 to 38 mm) of the adhesive backing, and tape the backing to the front surface of the left rear door visor.



10. Remove the door glass run channel from the door sash in the area shown. Install the bracket to the left rear door pillar trim as shown.

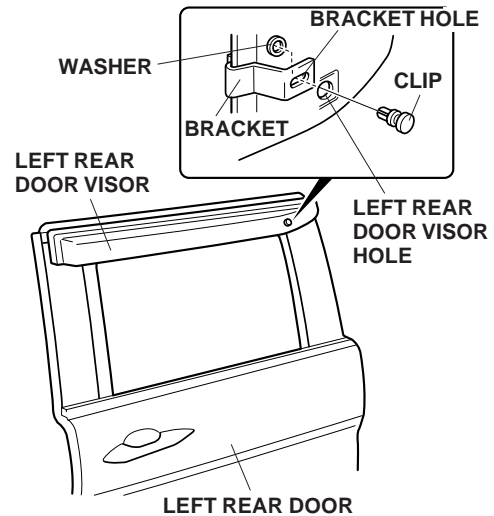


11. Position the left rear door visor on the door sash. Push the two retaining brackets into the door sash.

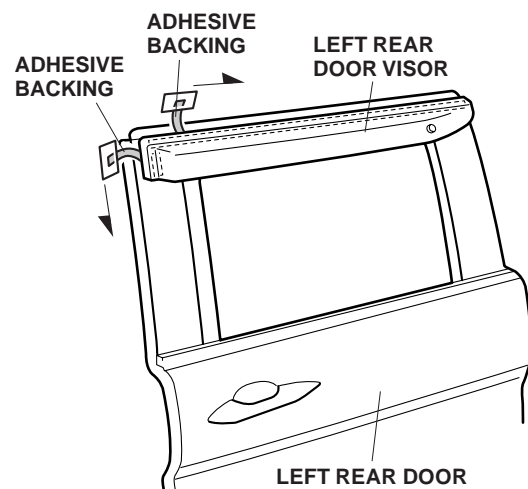


12. Adjust the visor so that the clearance between the front end of the visor and front end of the front door sash is 0.2 inch. (5 mm).

13. Align the bracket hole with the hole in the left rear door visor, and secure the left rear door visor with one clip and one washer.



14. While applying light pressure on the left rear door visor, carefully remove the adhesive backings.
- Check that the two rear retaining brackets are installed in the door sash properly.
 - After removing the adhesive backings, hold the visor firmly against the door sash, with the palm of your hand, particularly at the edges.
 - Do not allow the visor to lift when removing the adhesive backings.



15. Reinstall the door glass run channel.
16. Repeat steps 1 through 15 to install the door visors on the right side of the vehicle.
17. Raise and lower all the windows several times to seat the glass run channels.