



INSTALLATION INSTRUCTIONS

Accessory

**AIR DEFLECTOR
P/N 08P47-SHJ-100**

Application

2007 ODYSSEY

Publications No.

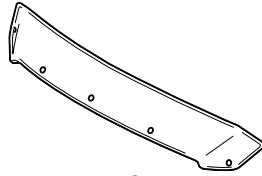
All 33161

Issue Date

JULY 2006

PARTS LIST

Air deflector



Center front bracket



2 Front brackets



2 Side brackets



2 Screws



4 Grommets



4 Truss screws



2 Collars



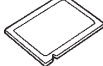
2 Alcohol pads



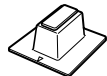
3 Clips



5 Protective tapes



Center pad



TOOLS AND SUPPLIES REQUIRED

Phillips screwdriver

Tape measure

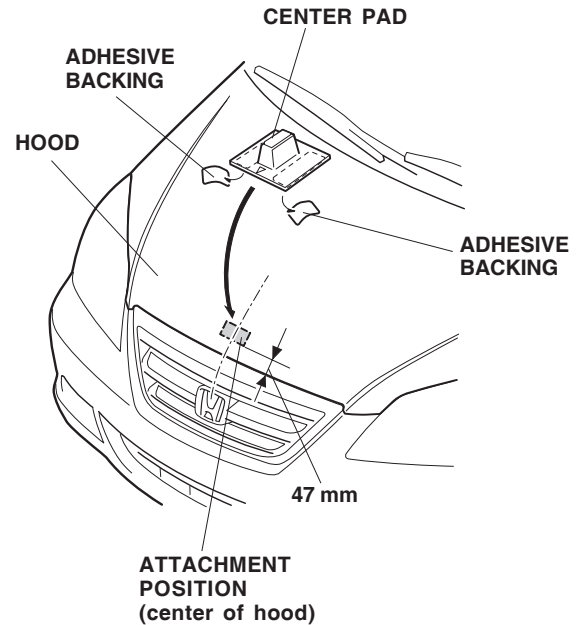
Felt-tip pen

Shop towel

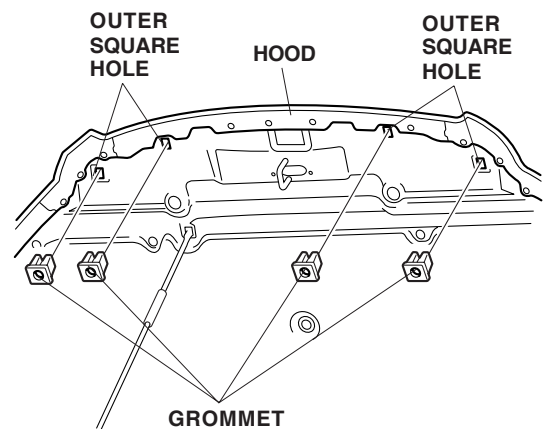
INSTALLATION

NOTE: Be careful not to damage the body finish when you install the air deflector.

1. Using an alcohol pad, clean the area of the hood where the center pad will attach.

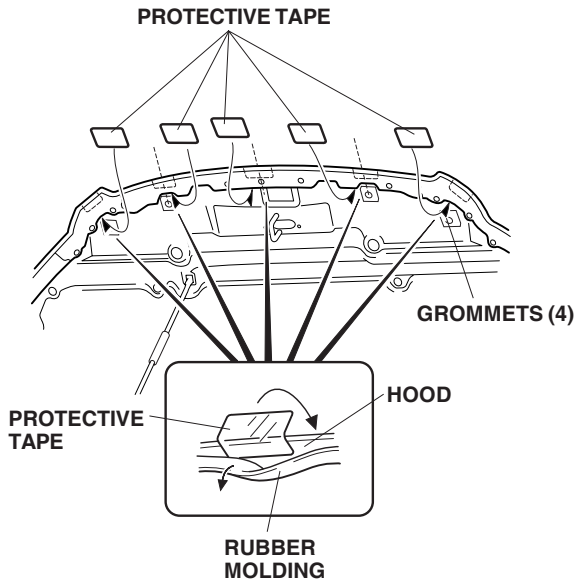


2. Remove the adhesive backings from the center pad and attach the pad to the indicated position on the hood.
3. Open the hood. Locate the four outer square holes on the inside of the hood.

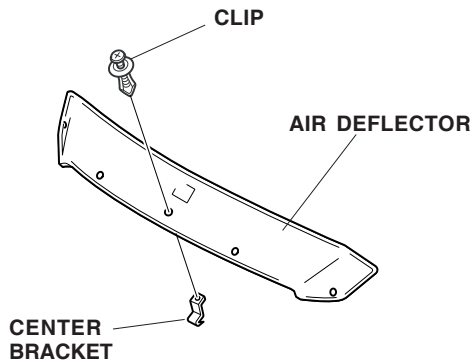


4. Push a plastic grommet into each of the four outer square holes in the hood.

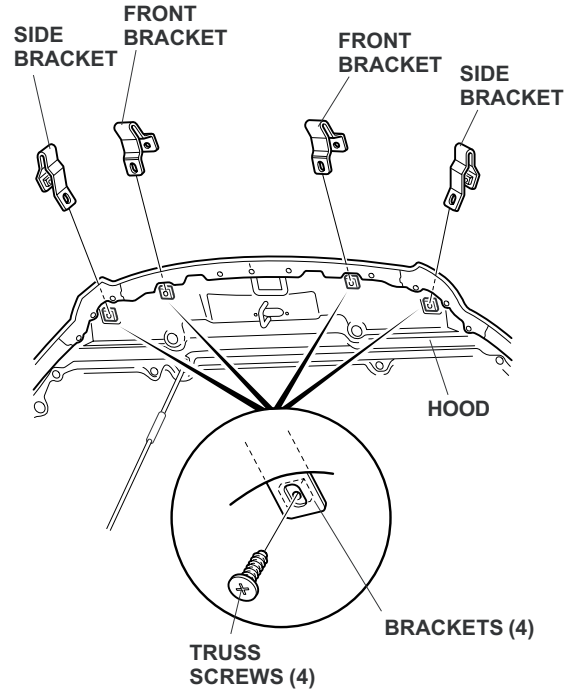
- Using an alcohol pad, clean the areas of the hood where the brackets will mount. Remove the adhesive backing from the protective tape and attach one protective tape to the hood where each air deflector bracket will mount.



- Attach the center bracket to the air deflector with one clip.



- Pull down on the rubber molding from the inside edge of the hood, and slide the two front brackets and two side brackets over the lip of the hood, under the rubber molding. Align the holes in the brackets with the holes in the plastic grommets, and install one truss screw through each bracket.



- Lower the hood. Pull down on the rubber molding and slide the center bracket attached to the air deflector over the lip of the hood where the protective tape is attached.
- Align the holes in the air deflector with the holes in the brackets, and install the two clips and two screws with collars. Tighten the screws securely.

