



INSTALLATION INSTRUCTIONS

Accessory

**BODY SIDE MOLDING
P/N 08P05-SCV-100A**

Application

2007 ELEMENT

Publications No.

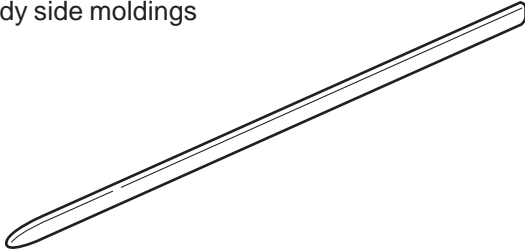
All 33020

Issue Date

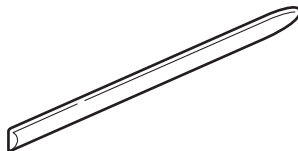
JULY 2006

PARTS LIST

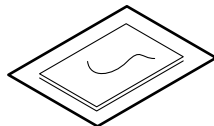
2 Long body side moldings



2 Short body side moldings



4 Alcohol wipes



TOOLS AND SUPPLIES REQUIRED

Tape measure

Masking tape

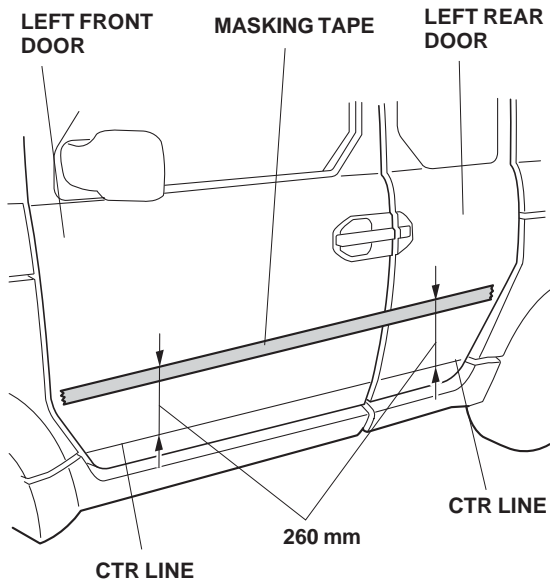
Hard rubber roller

INSTALLATION

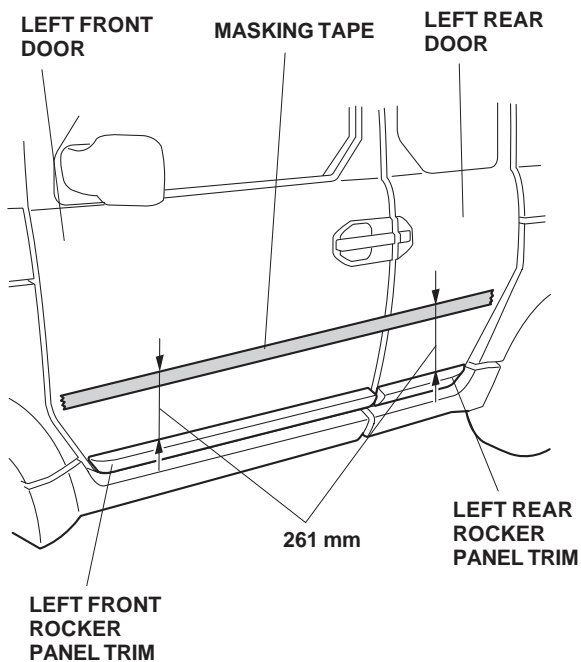
NOTE:

- Be careful not to damage the body paint finish.
- Before attaching, thoroughly clean the areas where the body side molding will be attached.
- This kit should only be installed if the ambient air temperature is 60°F (15°C) or above.
- After attaching, hold the body side molding firmly against the door panels with the palm of your hand.
- To allow the adhesive to "cure", do not wash the vehicle for 24 hours.
- These instructions are for the left side of the vehicle. The same procedure applies to the right side of the vehicle.

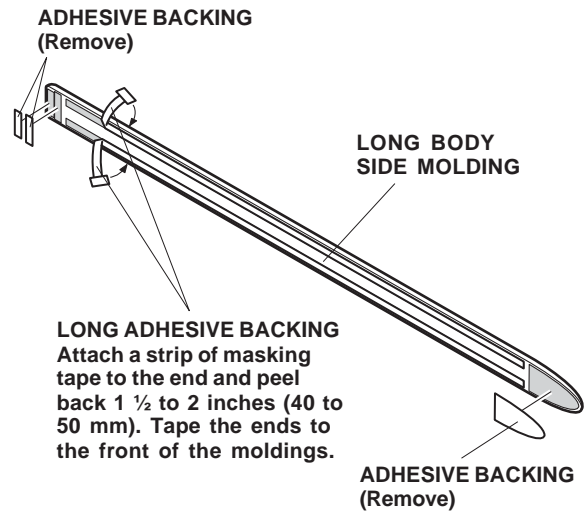
1. Measure and mark the left front and rear door, and attach masking tape in the area shown.



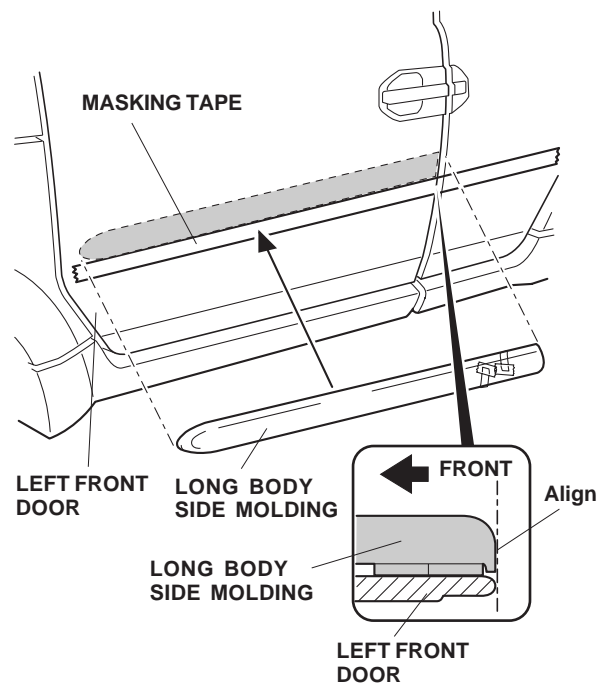
With Rocker Panel Trim



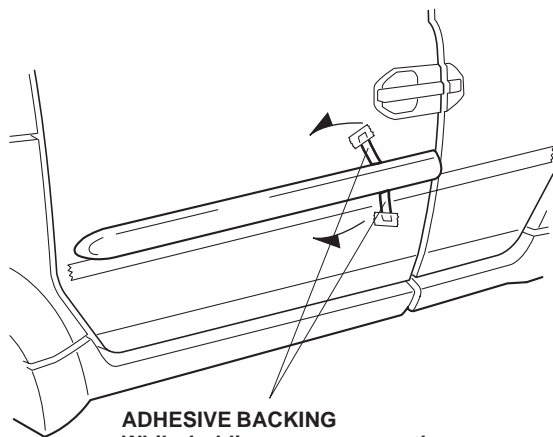
2. On the inside of the long body side molding remove 1 ½ to 2 inches (40 to 50mm) of adhesive backing, and tape the ends, to the front of the body side molding. Remove and discard all other adhesive backings.



3. Using an alcohol wipe, thoroughly clean the areas where the long body side molding will attach.
4. Position the long body side molding on the left front door and align its bottom edge with the upper edge of the masking tape attached in step 1. Align the rear edge of the long body side molding to the rear edge of the left front door.

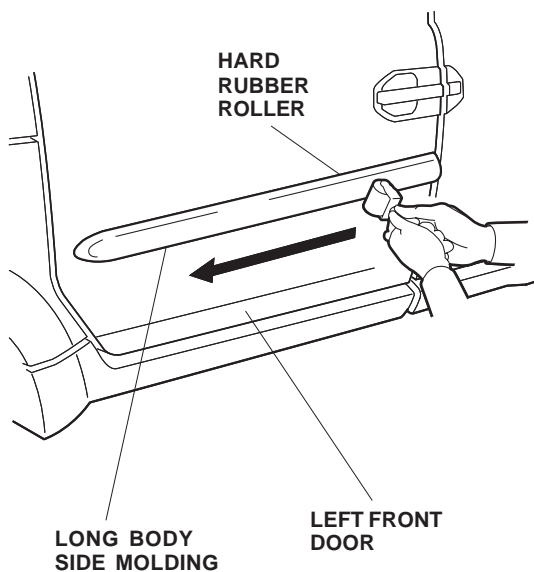


- While applying light pressure on the body, carefully remove the adhesive backings from the long body side molding.



ADHESIVE BACKING
While holding pressure on the molding, slowly and carefully remove the adhesive backing. After removing all adhesive backings, hold the molding firmly against the door with the palm of your hand.

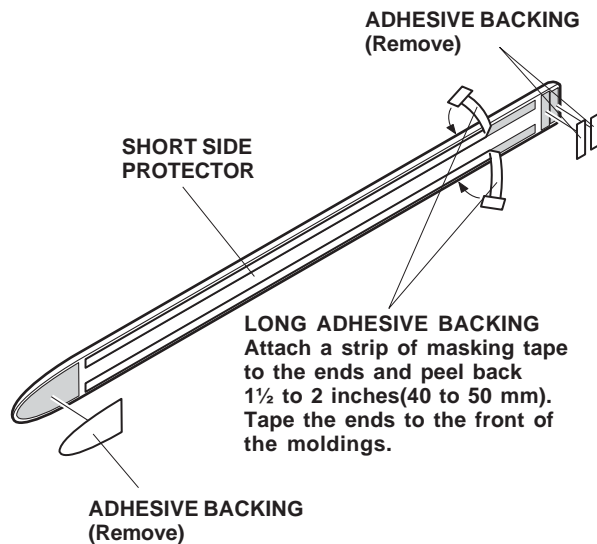
- Using a hard rubber roller, roll the long side body side molding from one end to the other.



HARD RUBBER ROLLER
LONG BODY SIDE MOLDING
LEFT FRONT DOOR

- Repeat steps 1 thru 6 install the right front long body side molding.

- On the inside of the body side molding, remove 1 ½ to 2 inches (40 to 50mm) of adhesive backing, and tape the end of the adhesive backing to the front of the body side molding. Remove and discard all other adhesive backings.



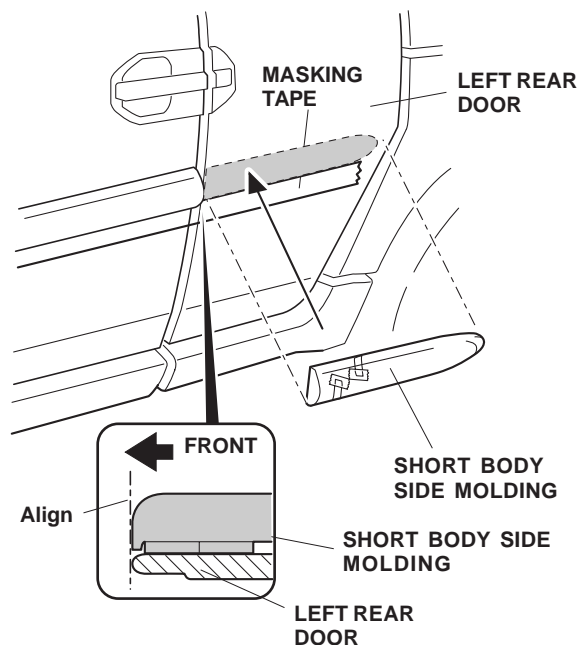
SHORT SIDE PROTECTOR

ADHESIVE BACKING (Remove)

LONG ADHESIVE BACKING
Attach a strip of masking tape to the ends and peel back 1 ½ to 2 inches (40 to 50 mm). Tape the ends to the front of the moldings.

ADHESIVE BACKING (Remove)

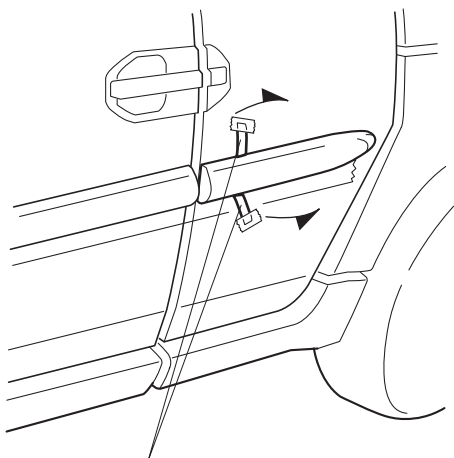
- Using an alcohol wipe, thoroughly clean the areas where the short side protector will attach.
- Position the body side molding on the left rear door and align its bottom edge with the upper edge of the masking tape attached in step 1. Align the front edge of the body side molding to the front edge of the left rear door.



MASKING TAPE
LEFT REAR DOOR

Align
FRONT
SHORT BODY SIDE MOLDING
SHORT BODY SIDE MOLDING
LEFT REAR DOOR

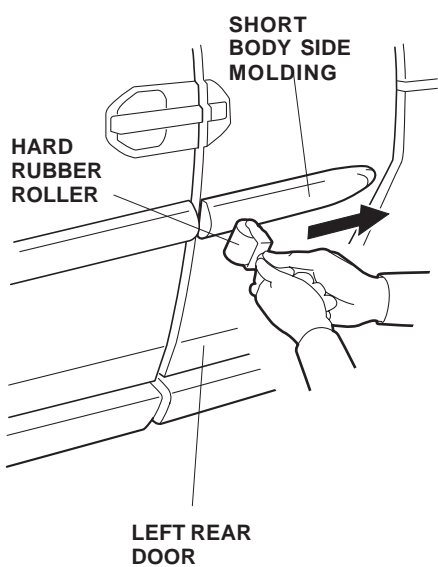
11. While applying light pressure on the body side molding, carefully remove the adhesive backings from the short body side molding.



ADHESIVE BACKING

While holding pressure on the molding, slowly and carefully remove the adhesive backing. After removing all adhesive backings, hold the molding firmly against the door with the palm of your hand.

12. Using a hard rubber roller, roll the body side molding from one end to the other.



13. Repeat steps 8 thru 12 install the right rear body side molding.