



INSTALLATION INSTRUCTIONS

Accessory

CIGARETTE ASHTRAY WITH LIGHTER

Application

2007 ACCORD
2 AND 4-DOOR

Publications No.

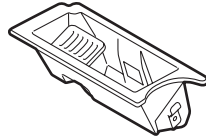
All 32699

Issue Date

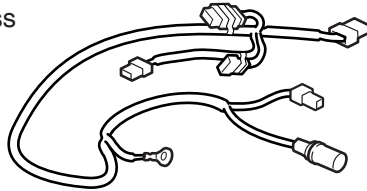
JULY 2006

PARTS LIST

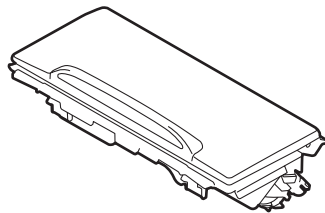
Ashtray



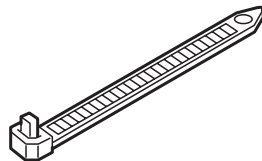
Cigarette lighter harness



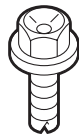
Cigarette lighter holder



12 Wire ties



Ground bolt



TOOLS REQUIRED

Phillips screwdriver

10 mm Combination wrench

Diagonal cutters

Hook tool (commercially available)

10 mm Socket

Piece of steel wire

Electrical tape

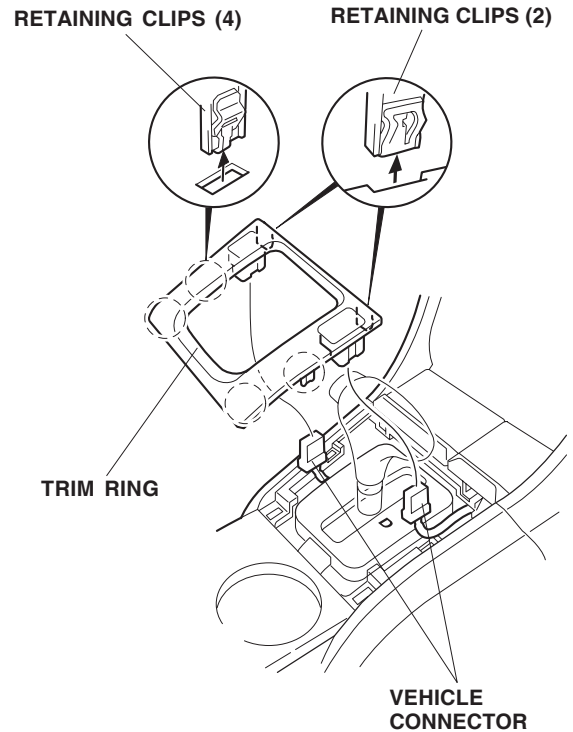
INSTALLATION

Customer Information: The information in this installation instruction is intended for use only by skilled technicians who have the proper tools, equipment, and training to correctly and safely add equipment to your vehicle. These procedures should not be attempted by "do-it-yourselfers."

1. Make sure you have the anti-theft code for the radio, then write down the radio station presets.
2. Disconnect the negative cable from the battery.
3. Remove the trim ring:

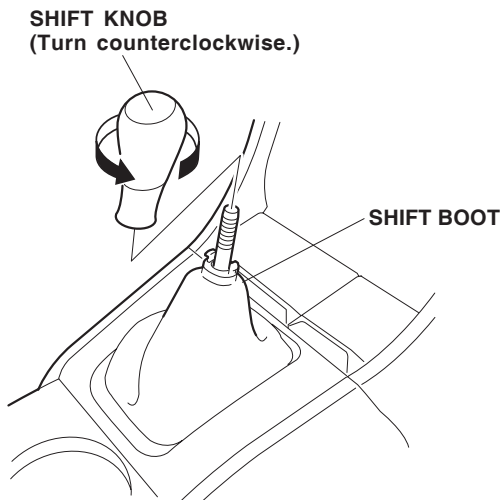
A/T Model:

- Shift the shift lever to the "D" position.
- Gently pry up on the trim ring to release the six clips.
- Unplug the seat heater connectors (if equipped), and remove the trim ring.

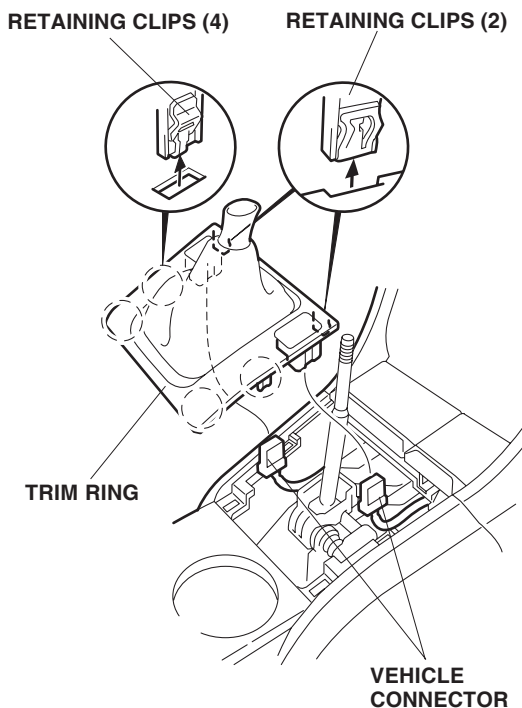


M/T Model:

- Squeeze the plastic clip while you pull down on the shift boot. Remove the shift knob by turning it counterclockwise.

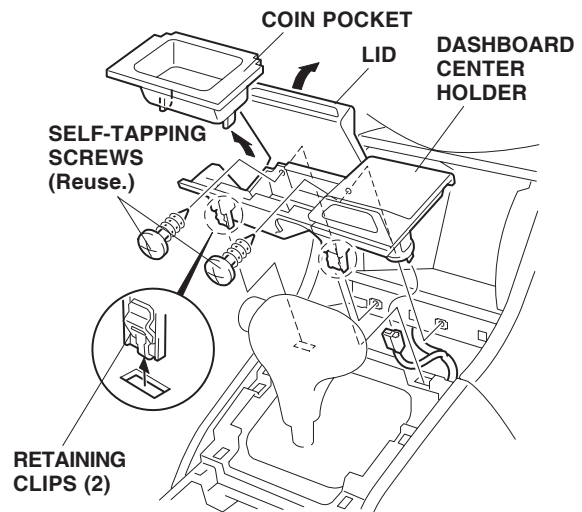


- Gently pry up on the trim ring to release the six clips.
- Unplug the seat heater connectors (if equipped), and remove the trim ring.



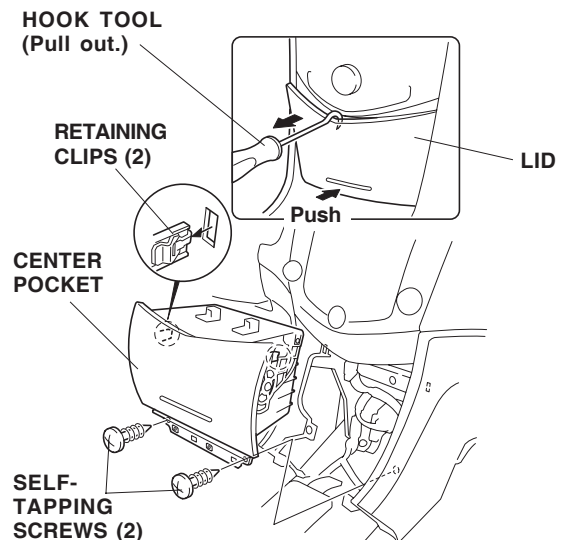
4. Remove the dashboard center holder:

- Open the coin pocket lid, and remove the coin pocket.
- Remove the two self-tapping screws.
- Gently pull out on the dashboard center holder to release the two retaining clips, unplug the vehicle connector, then remove the center holder.

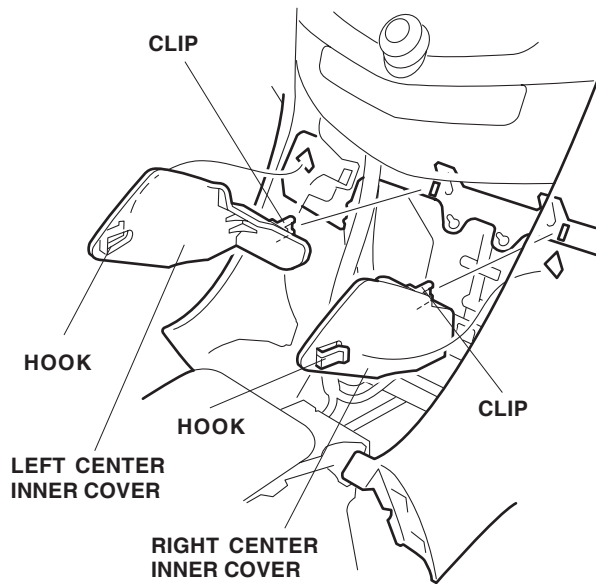


5. Remove the center pocket:

- Remove the two self-tapping screws.
- Push in on the bottom of the pocket to bring the top out. Using a hook tool, reach in behind the center of the pocket, and pull it out toward you to release the two retaining clips.
- Remove the center pocket.

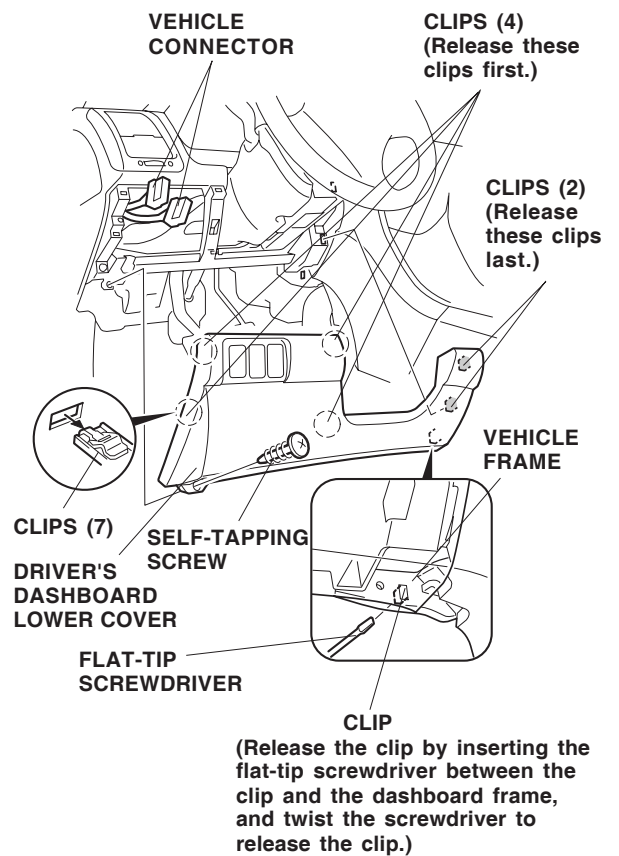


6. Remove the left and right center inner covers (one hook and one clip for each cover).

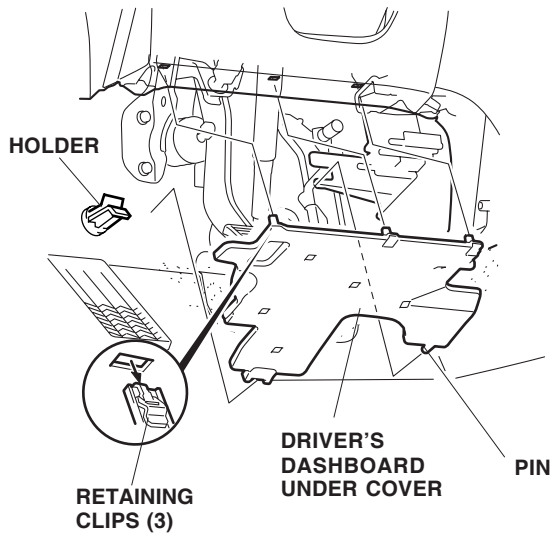


7. Remove the driver's dashboard lower cover:

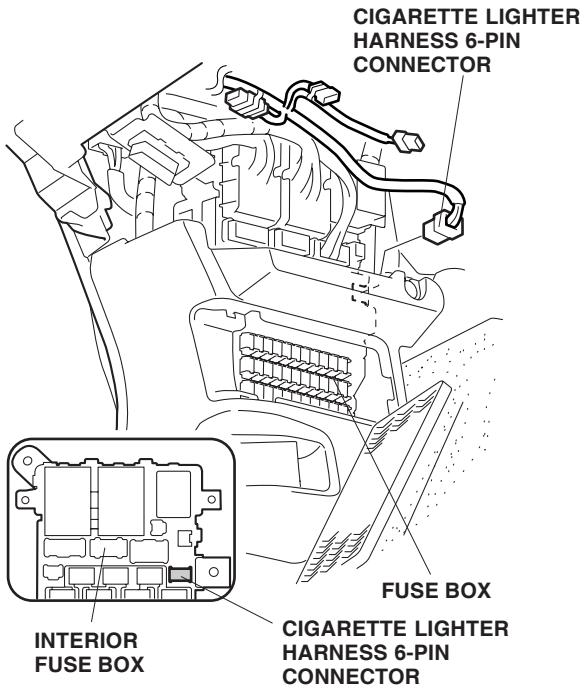
- Remove the self-tapping screw.
- Release the four clips on the left side first by pulling out on the driver's dashboard lower cover.
- After releasing the four clips, insert the flat-tip screwdriver between the clip and the dashboard frame. Gently twist the screwdriver to release the clip.
- Release the two clips on the right side last.
- Unplug the vehicle connector, and remove the lower cover.



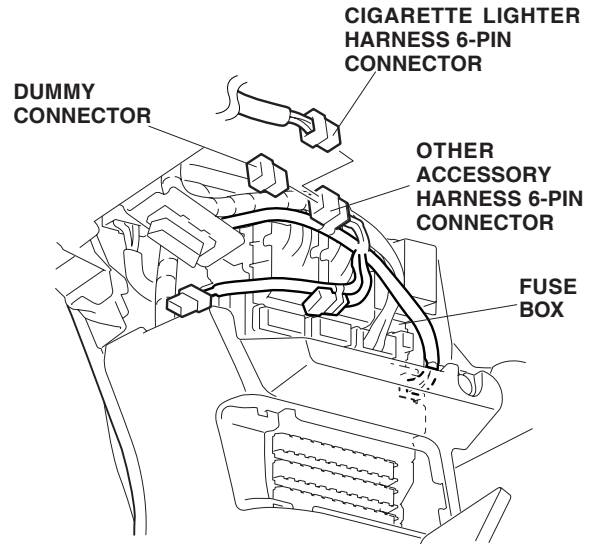
- If equipped, remove the driver's dashboard under cover (three clips, one pin and one holder).



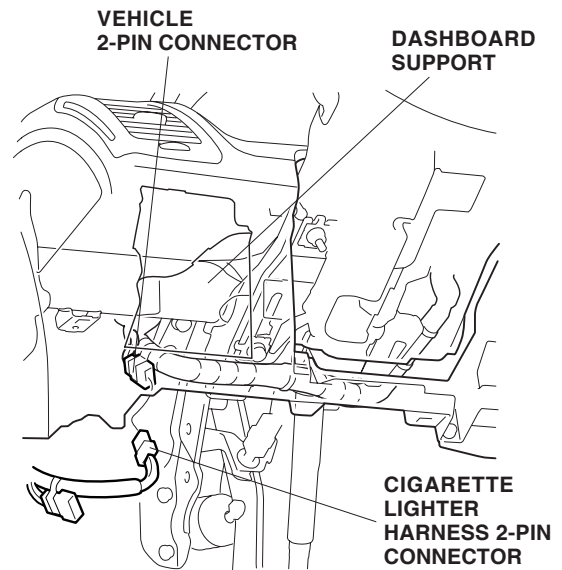
- Plug the cigarette lighter harness 6-pin connector into the interior fuse box.



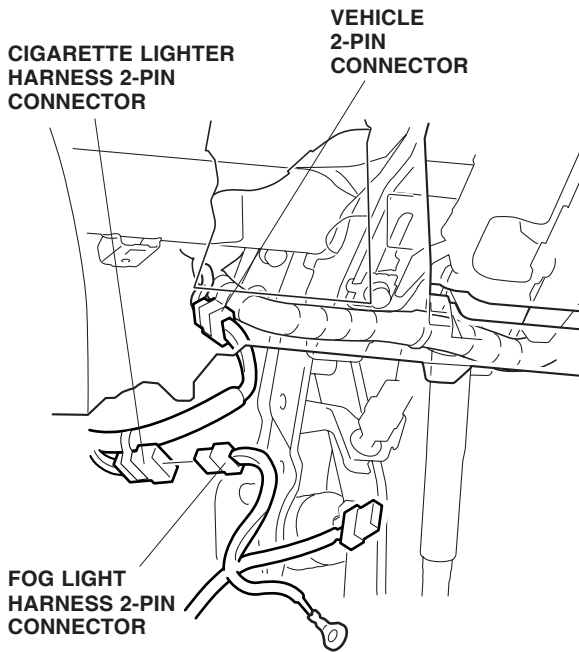
NOTE: If the 6-pin connector is already being used by another accessory, locate the 6-pin connector taped to that other accessory's harness. Remove the dummy connector from that other accessory's harness. Plug the cigarette lighter harness 6-pin connector into the other accessory's harness.



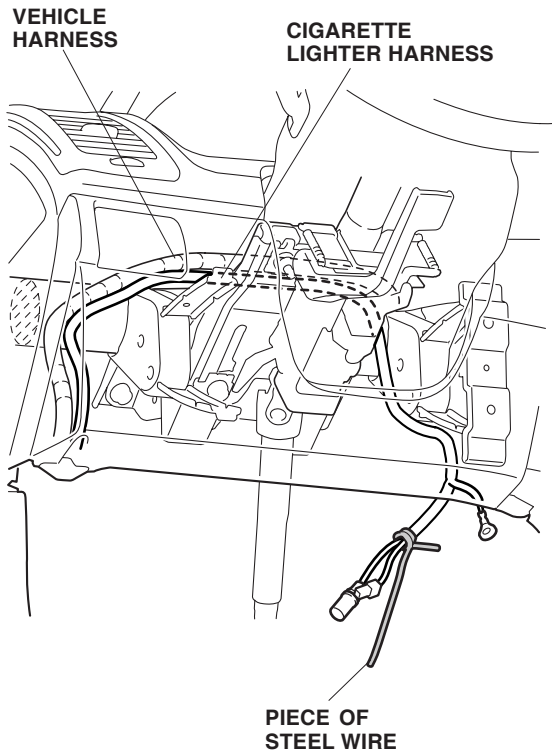
- Behind the dashboard support, locate the 2-pin connector blue-taped to the vehicle harness, and connect the cigarette lighter harness 2-pin connector to the 2-pin connector taped to the vehicle harness.



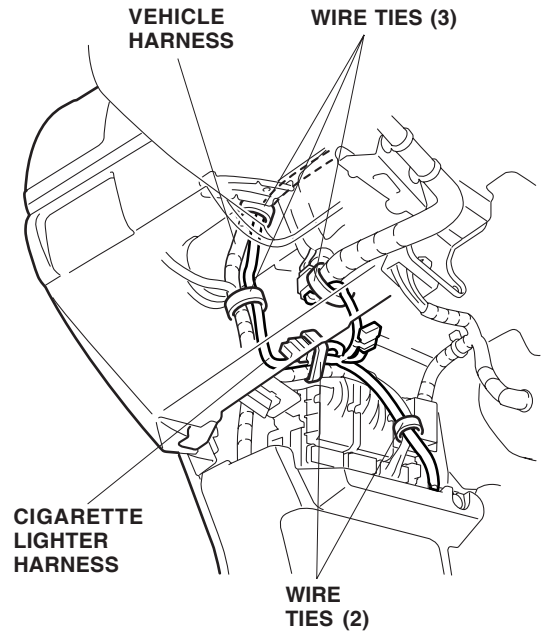
NOTE: If you are also installing fog lights, remove the fog light harness 2-pin connector from the vehicle 2-pin connector, and connect the cigarette lighter harness 2-pin connector in between.



- Using a piece of steel wire, route the cigarette lighter harness alongside the vehicle harness as shown.

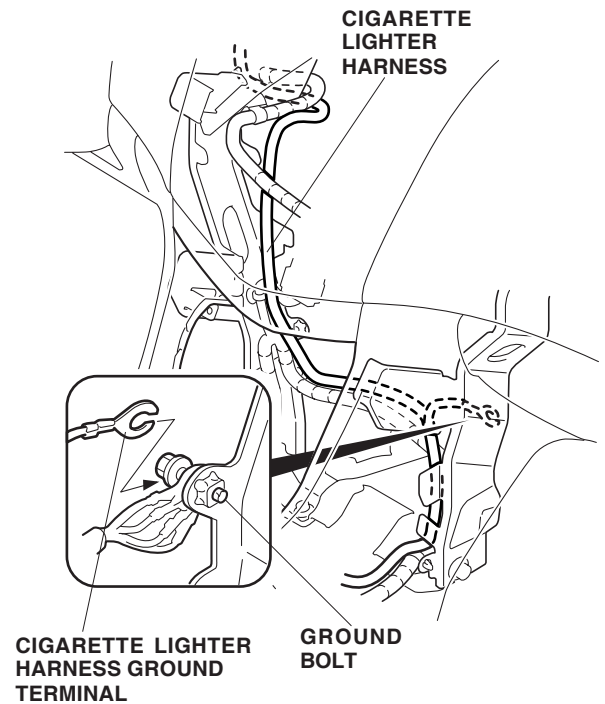


- Secure the cigarette lighter harness to the vehicle harness with five wire ties.



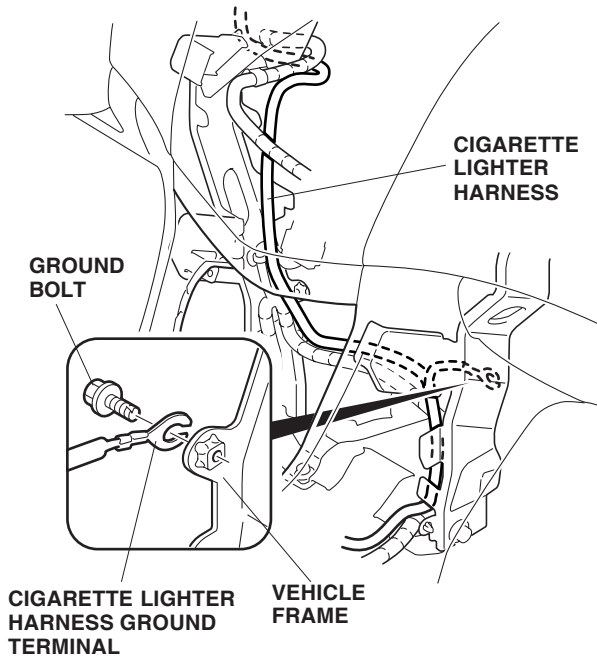
With Vehicle Ground Terminal

- Route the cigarette lighter harness as shown. Loosen the ground bolt, and attach the ground terminal of the cigarette lighter harness with this bolt. Tighten the ground bolt.

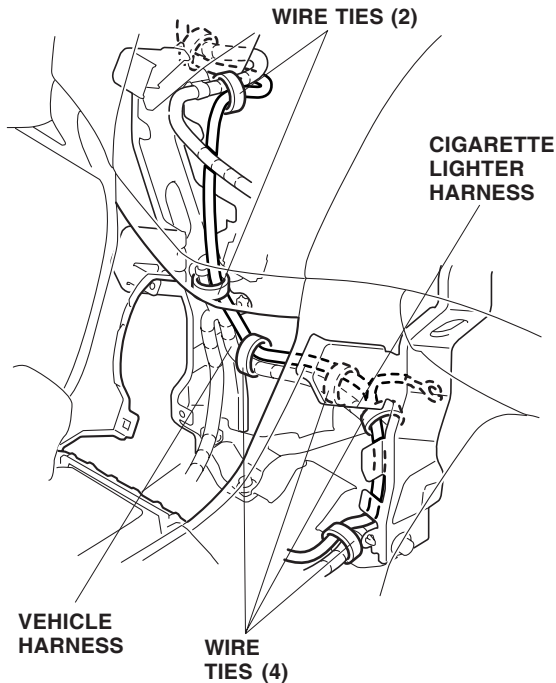


Without Vehicle Ground Terminal

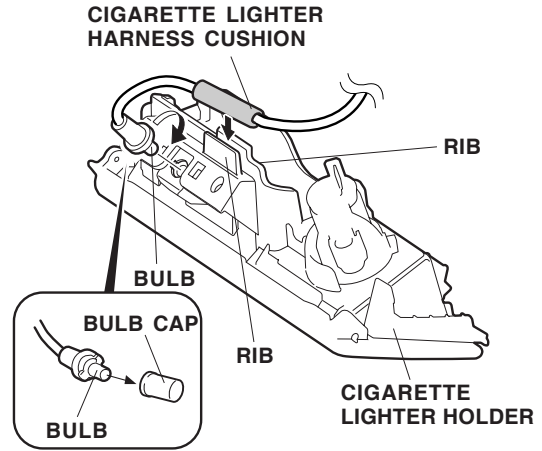
- Attach the cigarette lighter harness ground terminal to the vehicle frame with the ground bolt in the kit.



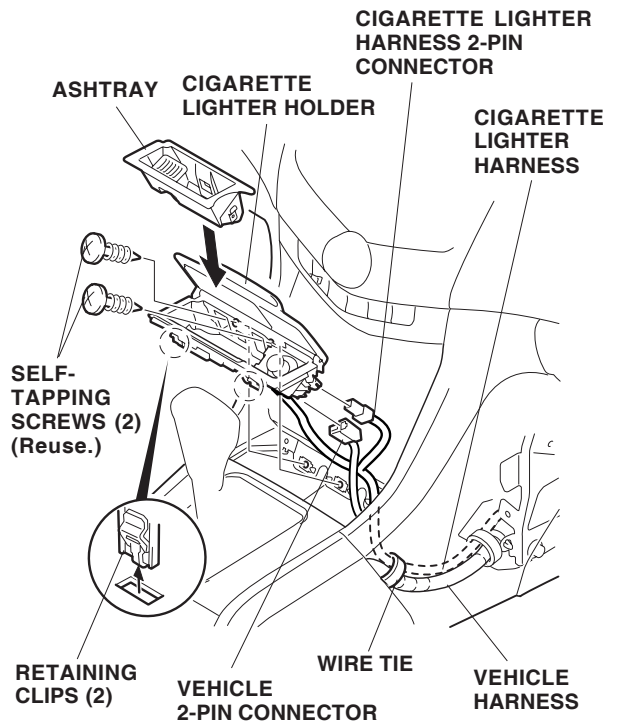
- Secure the cigarette lighter harness to the vehicle harness with six wire ties.



- Remove the bulb cap, then insert and turn the bulb on the cigarette light harness into the hole of the cigarette lighter holder.



- Insert the cushion on the cigarette lighter harness between the ribs on the holder. Reinstall the console inner cover, and the center pocket.
- Plug the 2-pin connector of the cigarette lighter harness and vehicle 2-pin connector into the cigarette lighter holder. Secure the cigarette lighter harness to the vehicle harness with one wire tie.



19. Install the cigarette lighter holder into the center console with two self-tapping screws and two retaining clips. Install the ashtray into the cigarette lighter holder.
20. Check that all wire harnesses are routed properly and all connectors are plugged in.
21. Reinstall all removed parts. Check that all clips and fasteners are installed securely.
22. Reconnect the negative cable to the battery.
23. Reset the clock, and reset the radio station presets.
24. Test the operation of the cigarette lighter.

NOTE: Whenever the battery is disconnected, the driver's window AUTO function is disabled.

25. Start the engine. Push down on the driver's window switch until the window is fully open.
26. Pull up on the driver's window switch to close the window completely, then hold the switch for 2 seconds or more.
27. Test the window AUTO function.