



# INSTALLATION INSTRUCTIONS

Accessory

**SPLASH GUARDS**  
P/N 08P00-SDN-1A0

Application

**2007 ACCORD**  
**2-DOOR**

Publications No.

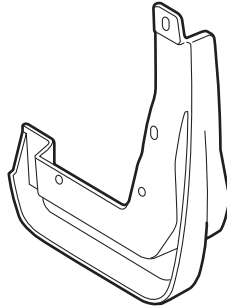
**All 32661**

Issue Date

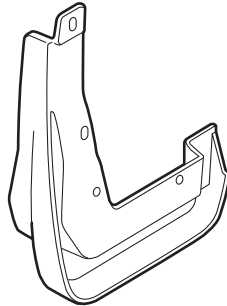
**JULY 2006**

## PARTS LIST

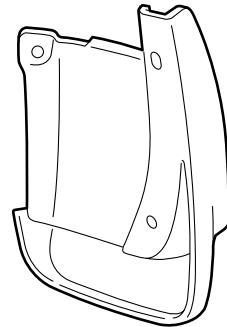
Left front splash guard



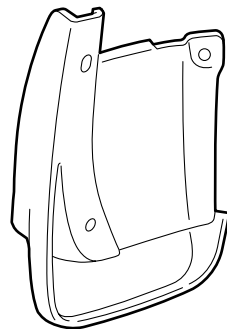
Right front splash guard



Left rear splash guard



Right rear splash guard



2 Self-tapping screws



## TOOLS REQUIRED

Stubby Phillips screwdriver

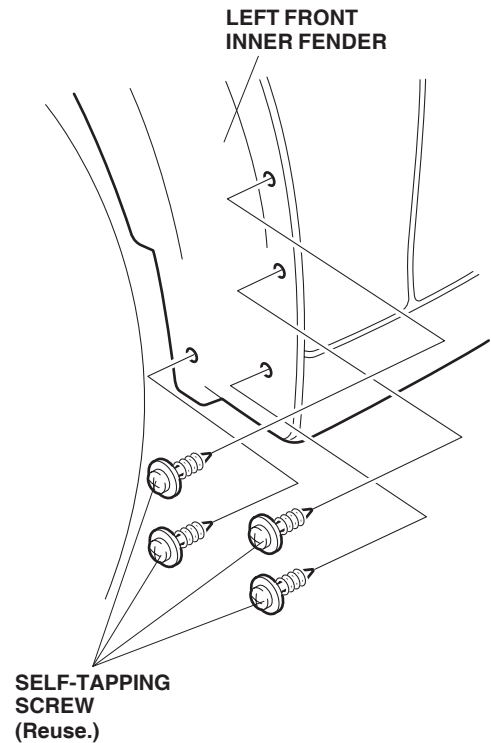
## INSTALLATION

### NOTE:

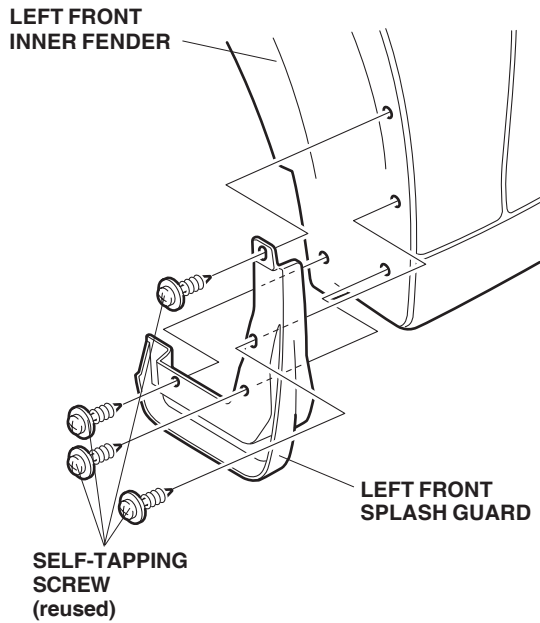
- These instructions show the left splash guards being installed. The same procedure applies to installing the right splash guards.
- Clean and wax the areas to be covered with a high-quality paste wax.

### Installing the Front Splash Guards

1. Turn the steering wheel all the way counterclockwise.
2. Remove and retain the four self-tapping screws that fasten the left front inner fender to the front fender and fenderwall.



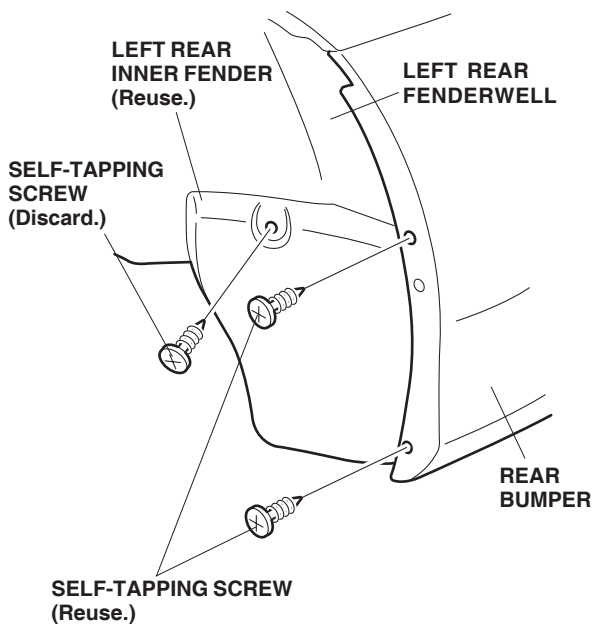
- Position the left front splash guard on the left front inner fender, and install the four self-tapping screws you just removed.



- Turn the steering wheel all the way clockwise, and repeat steps 2 and 3 to install the right front splash guard.

### Installing the Rear Splash Guards

- Remove and retain the three self-tapping screws that secure the left rear inner fender to the rear bumper and left rear fenderwell. Retain the two rear bumper screws.



- Position the left rear splash guard on the rear bumper and left rear inner fender. Secure the splash guard with three self-tapping screws.
- Repeat steps 5 and 6 to install the right rear splash guard.

