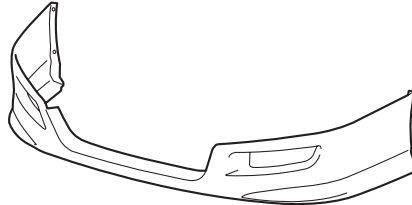


PARTS LIST

Front under spoiler



4 Self-tapping screws



4 Spring nuts



3 Flange bolts



3 Clip nuts



2 Clips

**TOOLS AND SUPPLIES REQUIRED**

Phillips screwdriver

Flat-tip screwdriver

Clip remover

Masking tape

Isopropyl alcohol

Shop towel

INSTALLATION

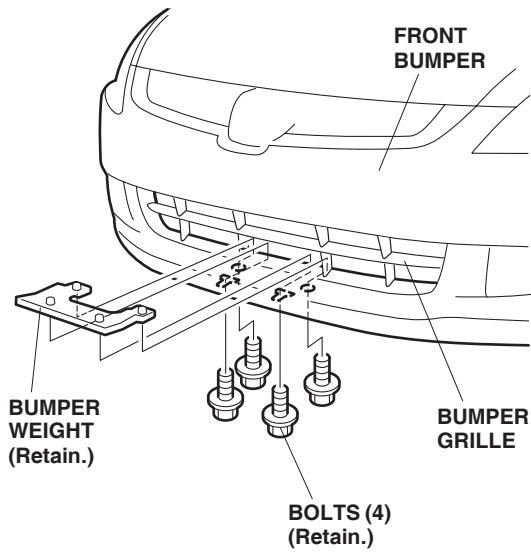
Customer Information: The information in this installation instruction is intended for use only by skilled technicians who have the proper tools, equipment, and training to correctly and safely add equipment to your vehicle. These procedures should not be attempted by “do-it-yourselfers.”

NOTE:

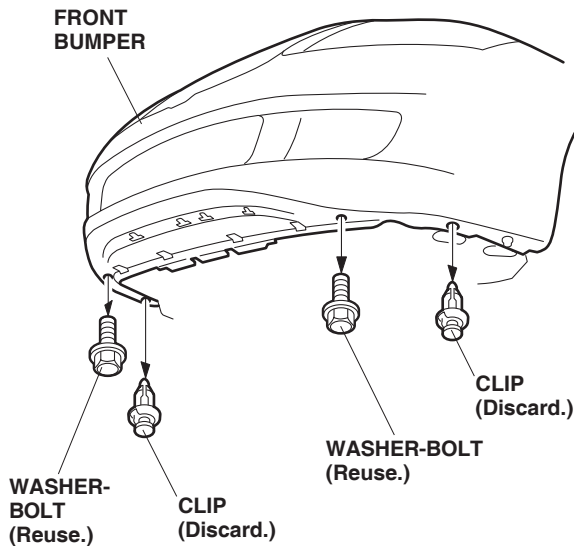
- Using isopropyl alcohol on a shop towel, thoroughly clean the area where the front under spoiler will attach. Allow the isopropyl alcohol to dry thoroughly before attaching the front under spoiler.
- Be careful not to damage the front bumper and body paint finish.
- This front under spoiler kit should be installed only if the ambient air temperature is 60°F (15°C) or above.
- To allow the adhesive to “cure,” do not wash the vehicle for 24 hours.

Installing the Front Under Spoiler

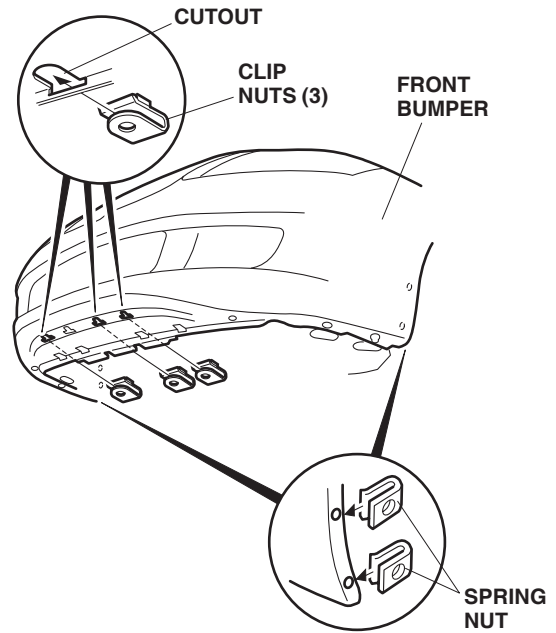
1. Remove the four bolts that fasten the bumper weight to the front bumper, and remove the bumper weight through the bumper grille.



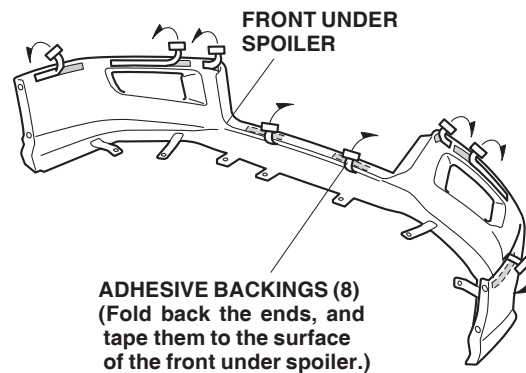
2. Remove the two clips and two washer-bolts from the front bumper. Discard the two clips, but set aside the washer-bolts to reuse later.



3. Slide the spring nuts (two on each side) over the hole in the front bumper. Slide the three clip nuts onto the bottom flange of the front bumper through the cutouts. Note the direction of the clip nuts.

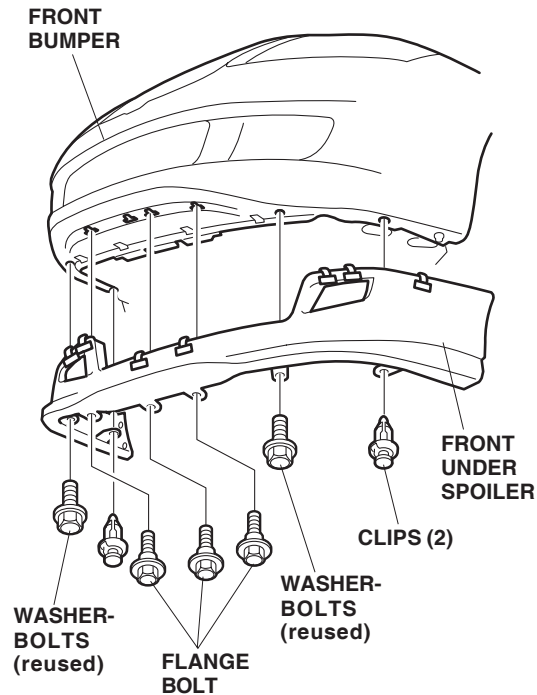


4. Attach a strip of masking tape to the end of the eight adhesive backings, and remove 1-1/2 to 2 inches of the adhesive backings. Fold the ends back, and tape them to the front of the front under spoiler.

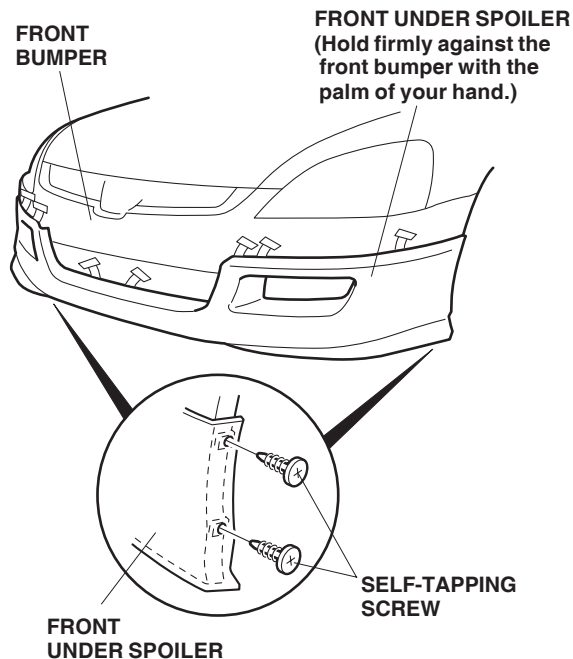


5. Using isopropyl alcohol on a shop towel, clean the front bumper where the front under spoiler will attach.

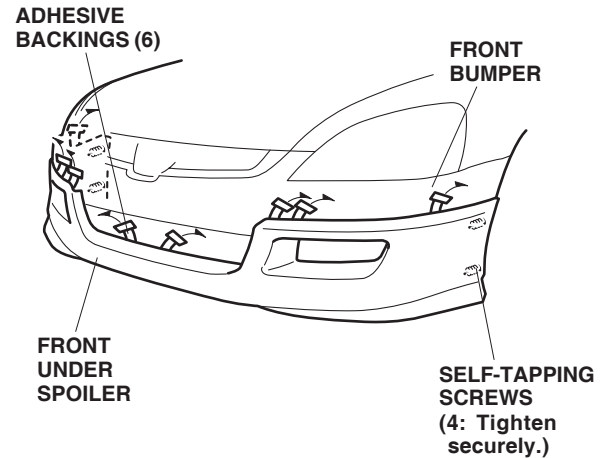
- Position the front under spoiler on the front bumper. Then install three flange bolts, two new clips, and the two washer-bolts removed in step 2.



- While holding pressure on the front under spoiler against the front bumper, install the two self-tapping screws on each side. Do not tighten the self-tapping screws yet.



- Starting in the center and working your way around the sides, hold light pressure on the front under spoiler, and carefully remove the adhesive backings from the front under spoiler. Using the palm of your hand, hold the front bumper spoiler firmly against the front bumper for 30 seconds.



- Tighten the four self-tapping screws temporarily installed in step 7.