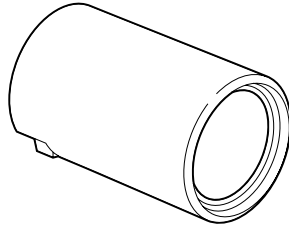
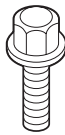


PARTS LIST

2 Exhaust pipe finishers



2 Flange bolts

**TOOLS REQUIRED**

10 mm Socket

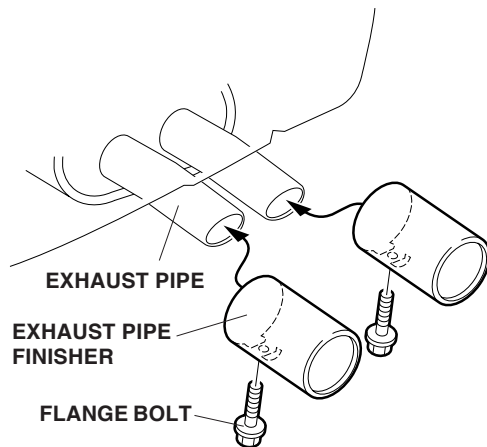
Torque wrench

Rubber mallet

INSTALLATION**NOTE:**

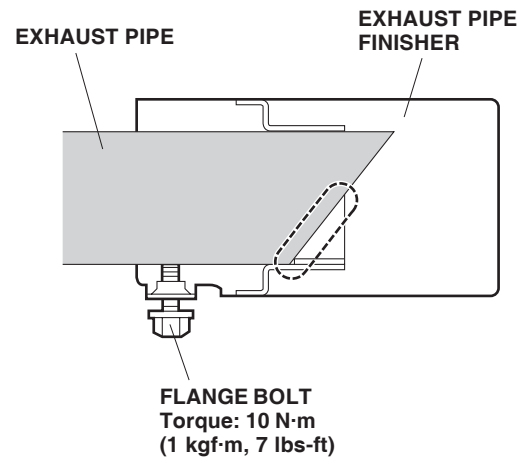
- Allow the exhaust pipe to cool down before you install the exhaust pipe finisher.

1. Partially thread the flange bolts into the exhaust pipe finishers.



2. With the flange bolts facing down, slide the exhaust pipe finishers onto the exhaust pipes until it bottoms. If necessary, use a rubber mallet to tap the exhaust pipe finishers into place.

3. While pushing the exhaust pipe finishers firmly against the exhaust pipes, tighten the flange bolt. Torque the flange bolt to 10 N·m (1 kgf·m, 7 lbs-ft.)



4. Start the engine and rev it up a few times. Listen for vibration from the exhaust pipe finisher and adjust if necessary.