



# INSTALLATION INSTRUCTIONS

Accessory

TAILGATE SEAT BACK  
P/N 08R32-SCV-100

Application

2006 ELEMENT

Publications No.

All 31102

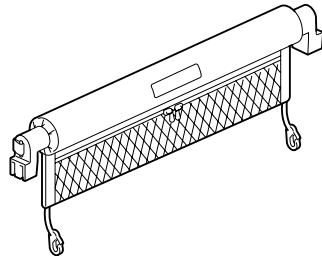
Issue Date

OCT 2005

Put this information in the glove box with the vehicle owner's manual.

## PARTS LIST

Tailgate seat back

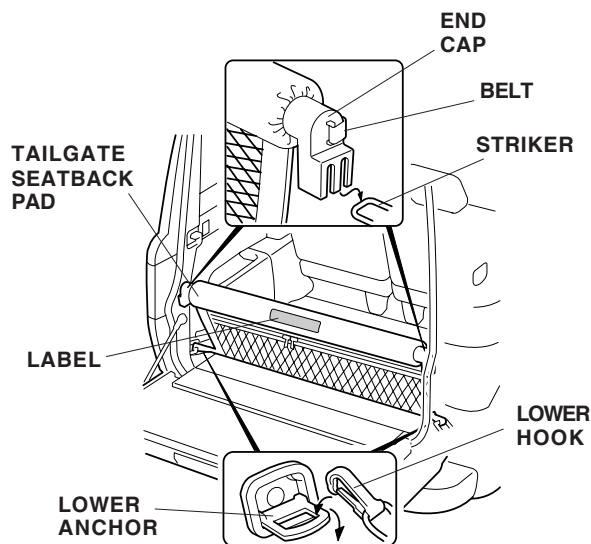


## INSTALLATION

**NOTE:** To avoid damaging the vehicle or the tailgate seat back, do not sit on or climb over the tailgate seat back. Before closing the tailgate, remove the tailgate seat back end caps from the seat back strikers.

### Backrest Position

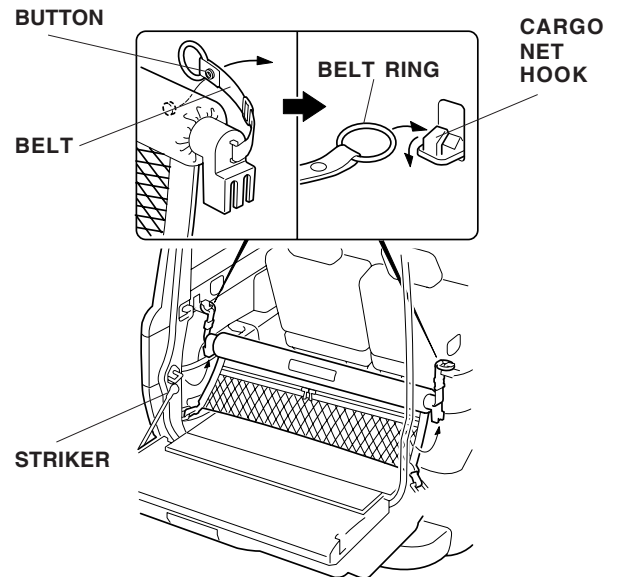
1. Open the hatch and the tailgate. Fasten the tailgate cushion end caps to the left and right strikers. Make sure the label on the tailgate seat back faces the rear. If the belts have not been fastened, fasten them.



2. Attach the tailgate seat back pad lower hooks to the left and right lower anchors on the vehicle.

## Storage Position

1. Unsnap the belts, and take the end caps off the left and right strikers. Hook the belt rings to the left and right cargo net hooks.



## NOTE:

- Do not place objects that weigh more than 6.6 lbs (3 kg) on or against the tailgate seat back.
- Do not store large or fragile objects in the net.
- Do not store objects with sharp edges or corners, as they may damage the tailgate seat back or the vehicle. Wrap such objects in paper or a blanket so they will not contact the net directly.
- Do not lean against the tailgate seat back when items are stored near the net.