



INSTALLATION INSTRUCTIONS

Accessory

**AM/FM CD TUNER
POCKET ATTACHMENT KIT**

Application

**2003 ELEMENT
(DX)**

Publications No.

All 24298-25064

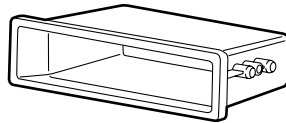
Issue Date

MARCH 2003

PARTS LIST

**Pocket Attachment Kit
P/N 08B60-SCV-100**

Pocket

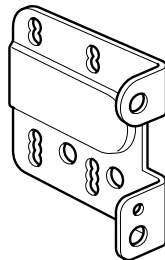


2 Self-tapping screws,
4 x 12 mm

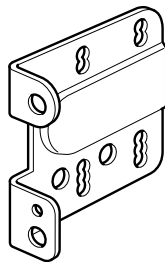


**Radio Attachment Kit
P/N 08B02-SCV-100**

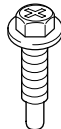
Bracket "L"



Bracket "R"

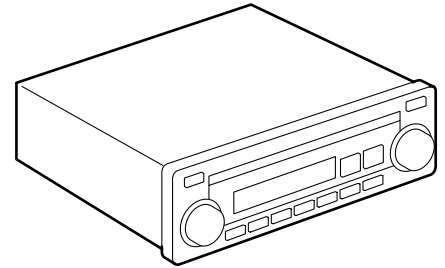


4 Washer-bolts,
5 x 16 mm

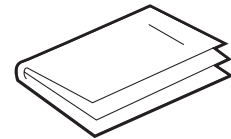


**AM/FM CD Tuner
P/N 08A02-4E1-100**

AM/FM CD tuner



Owner's Manual



4 Washer-screw,
5 x 8 mm



TOOLS REQUIRED

Phillips screwdriver

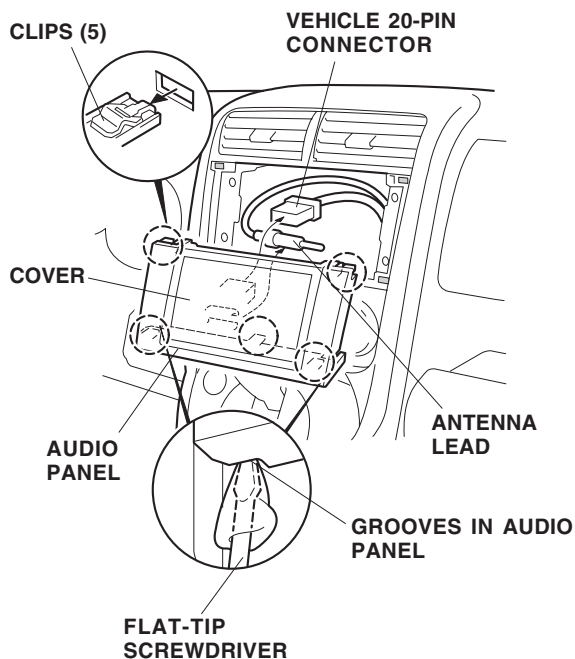
Flat-tip screwdriver

Shop towel

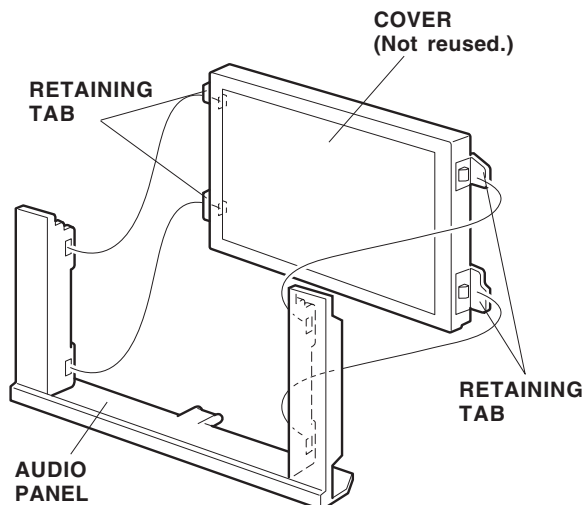
INSTALLATION

Customer Information: The information in this installation instruction is intended for use only by skilled technicians who have the proper tools, equipment, and training to correctly and safely add equipment to your vehicle. These procedures should not be attempted by “do-it-yourselfers.”

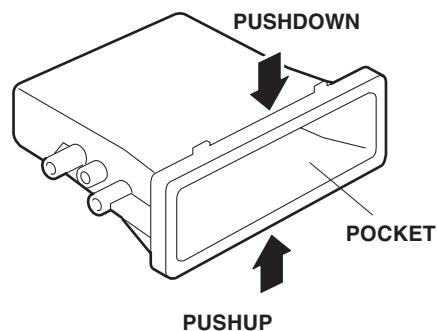
1. Wrap a shop towel around the top of a flat-tip screwdriver and insert it into the grooves of the audio panel. Pull the audio panel out toward you to release the five clips and remove the audio panel. Take care not to damage the clips and the audio panel. Disconnect the antenna lead and the 20-pin connector from the rear of the cover.



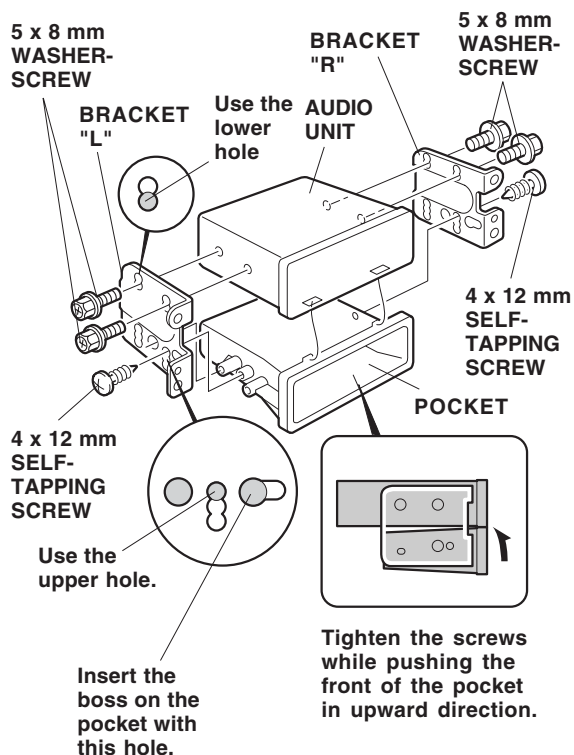
2. Remove and discard the cover from the audio panel (four tabs).



3. Push the front of the pocket from above and below and hold for one minute to fix the shape.



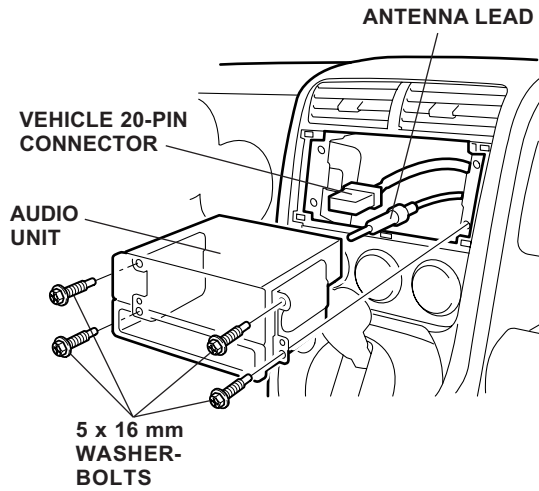
4. Position the audio unit on the pocket and install the two brackets with the four 5 x 8 mm washer-bolts and two 4 x 12 mm self-tapping screws.



Tighten the screws while pushing the front of the pocket in upward direction.

Installing the Audio Unit and Pocket Assembly

5. While holding the audio unit close to the center panel opening, plug the vehicle 20-pin connector and antenna lead into the back of the audio unit.



6. Slide the audio unit and pocket assembly into the center panel opening and install the four 5 x 16 mm washer-bolts.
7. Turn the ignition key on, and enter the radio anti-theft code.
8. Check the operation of the audio unit as described in the Owner's Manual supplied.
9. Set the radio clock.
10. Reinstall all removed parts.
11. Put the AM/FM CD Tuner Owner's Manual in the glove box.