

**INSTALLATION
INSTRUCTIONS**

Accessory

**EXHAUST PIPE TRIM
P/N 08F53-SNA-100**

Application

**2006 CIVIC
HYBRID**

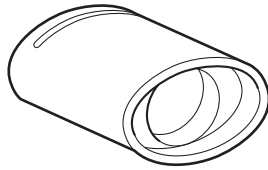
Publications No.

All 30321

Issue Date

SEP 2005**Put this information in the glove box with the vehicle owner's manual.****PARTS LIST**

Exhaust pipe trim



Flange bolt

**TOOLS REQUIRED**

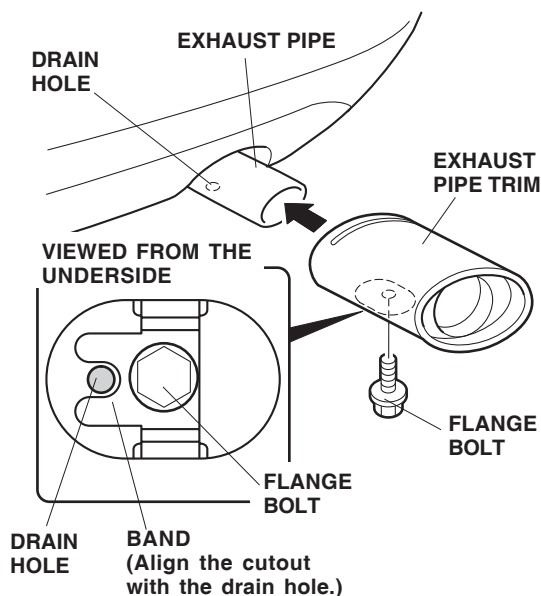
10 mm Socket

Torque wrench

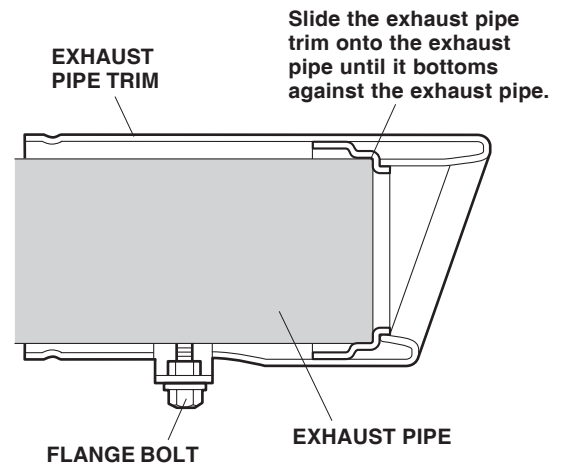
INSTALLATION

NOTE: Allow the exhaust pipe to cool down before you install the exhaust pipe trim.

- Slide the exhaust pipe trim onto the exhaust pipe with the bolt hole facing down. Partially thread the flange bolt into the exhaust pipe trim. Align the cutout in the exhaust pipe trim band with the drain hole in the exhaust pipe.



- Slide the exhaust pipe trim onto the exhaust pipe until it bottoms against the exhaust pipe.



- Tighten the flange bolt to the specified torque. Tightening torque: 10 N·m (1 kgf·m, 7 lbs·ft)
 - Tighten the flange bolt to the specified torque while pushing the exhaust pipe trim firmly against the exhaust pipe.
 - Do not overtighten the flange bolt or you may damage the exhaust pipe.
- Start the engine, and rev it up a few times. Listen for vibration from the exhaust pipe trim, and adjust if necessary.