



INSTALLATION INSTRUCTIONS

Accessory

FRONT UNDER SPOILER
P/N 08F01-SVA-100

Application

2006 CIVIC
2-DOOR

Publications No.

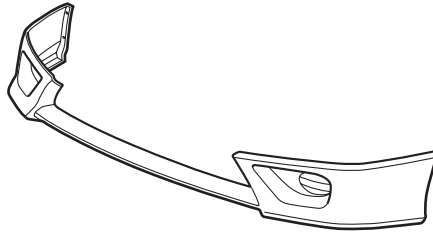
All 30896-31095

Issue Date

SEP 2005

PARTS LIST

Front under spoiler



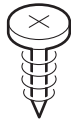
7 Flange bolts



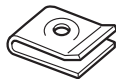
7 Flange nuts



4 Self-tapping screws



4 Spring nuts



TOOLS REQUIRED

Phillips screwdriver

Flat-tip screwdriver

Drill

3 mm and 10 mm Drill bits

Clip remover

Pushpin

Blanket

Masking tape

Isopropyl alcohol

Shop towel

Eye protection

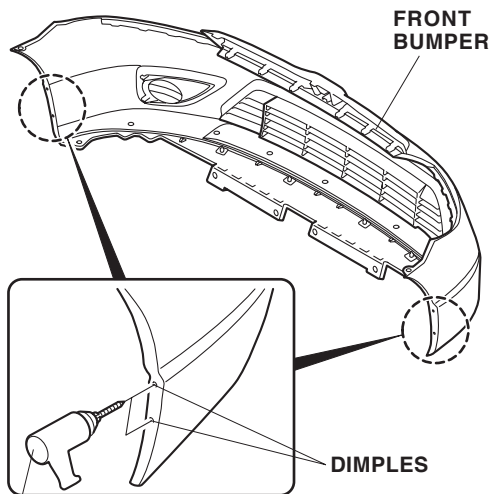
INSTALLATION

Customer Information: The information in this installation instruction is intended for use only by skilled technicians who have the proper tools, equipment, and training to correctly and safely add equipment to your vehicle. These procedures should not be attempted by "do-it-yourselfers."

NOTE:

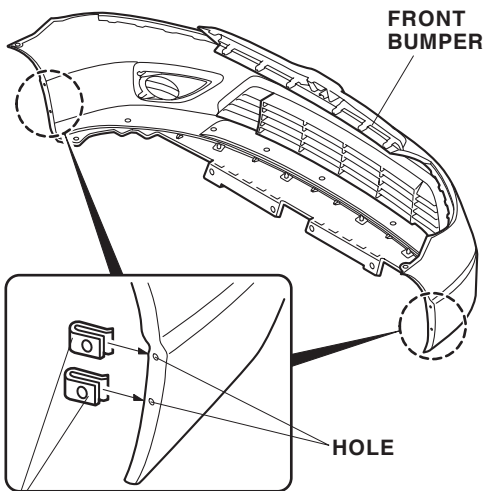
- Be careful not to damage the front bumper and body paint finish.
- Install this front under spoiler kit only if the ambient air temperature is 60°F (15°C) or above.
- To allow the adhesive to "cure," do not wash the vehicle for 24 hours.

1. With the vehicle on a lift, turn the steering wheel clockwise. While wearing eye protection, drill a 3 mm hole through the two dimples on the left edge of the front bumper. Remove any burrs from the edges of the holes with a file. Repeat on the right side.



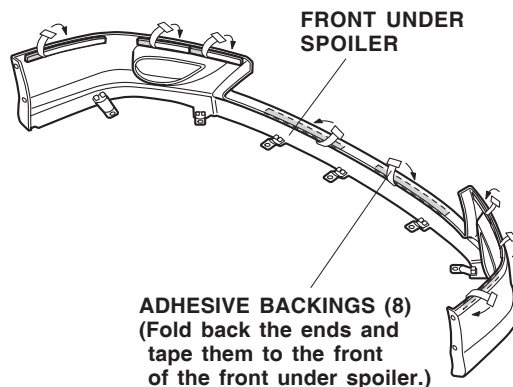
DRILL
(3 mm DRILL BIT)

2. Slide a spring nut over each of the four holes you made in the front bumper.

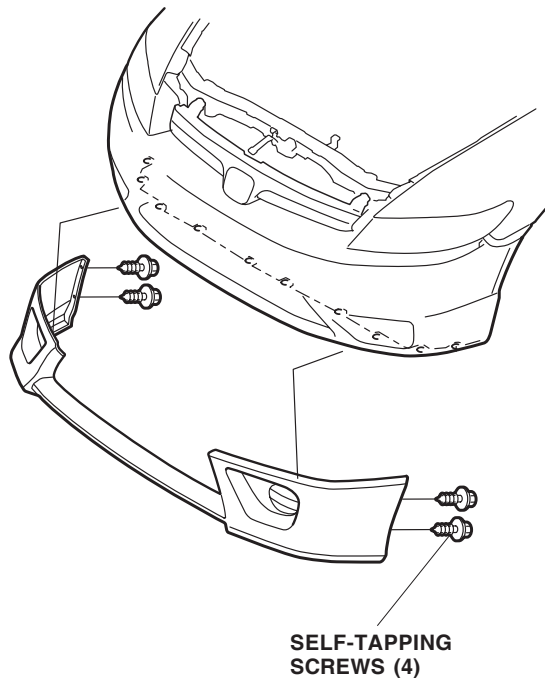


SPRING NUT

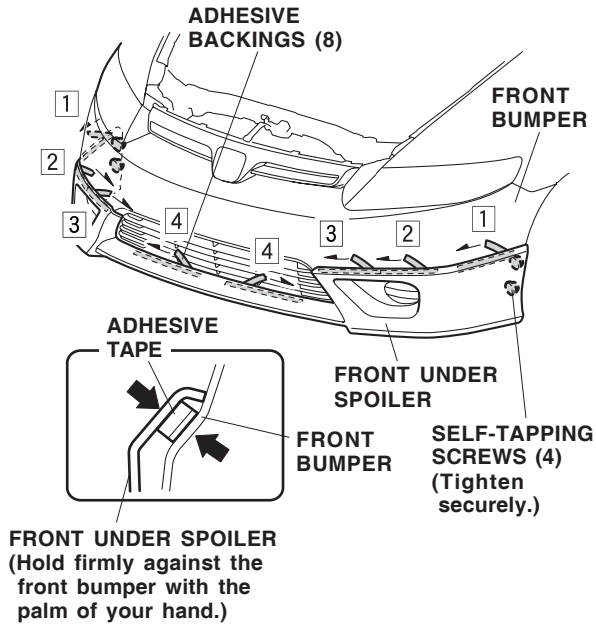
3. Attach a strip of masking tape to the end of each adhesive backing, and peel back 1-1/2 to 2 inches of the adhesive backing. Fold the ends back, and tape them to the front of the front under spoiler.



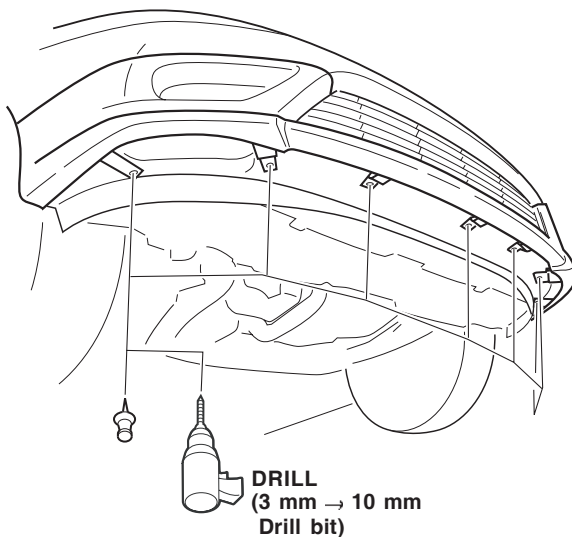
4. Using isopropyl alcohol on a shop towel, clean the front bumper where the front under spoiler will attach.
5. Position the front under spoiler on the front bumper, and temporarily install the four self-tapping screws.



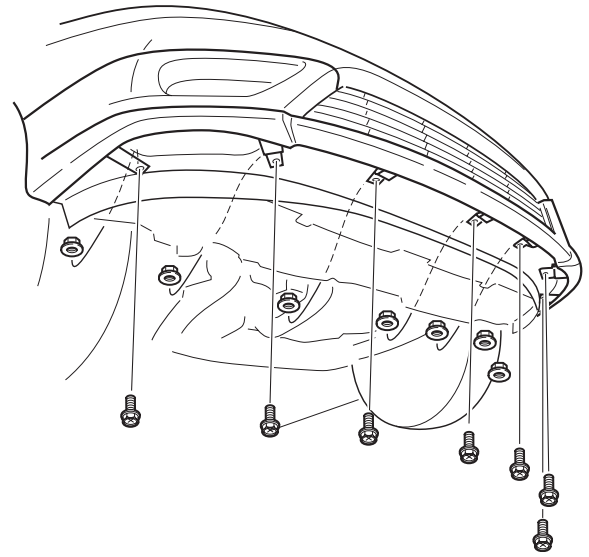
- While holding pressure on the front under spoiler, carefully remove the adhesive backings in the sequence shown. After removing, hold the front under spoiler firmly against the front bumper with the palm of your hand for 30 seconds. Tighten the self-tapping screws installed in step 5.



- Locate the seven front under spoiler brackets. Mark the front bumper with a pushpin through the center of the hole in each bracket. Using a drill, drill a 10 mm hole through each marked location. First drill with a 3 mm bit, and finish with a 10 mm bit. Remove any burrs from the edges of the holes with a file.



- Secure the front under spoiler to the front bumper with seven flange-nuts and seven flange bolts.



- Reinstall all removed parts.