



# INSTALLATION INSTRUCTIONS

Accessory

**GOLD EMBLEM KIT  
P/N 08F20-S9A-100**

Application

**2006 CR-V**

Publications No.

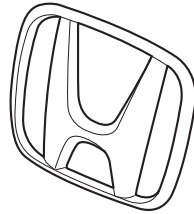
**All 30530**

Issue Date

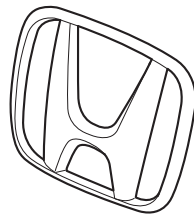
**SEP 2005**

## PARTS LIST

Front gold "H" emblem



Rear gold "H" emblem



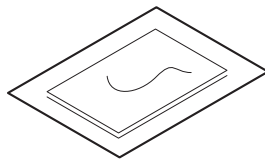
Rear gold  
"CR-V" emblem



2 Push nuts



Primer



## TOOLS AND SUPPLIES REQUIRED

Phillips screwdriver

Flat-tip screwdriver

Ratchet

10 mm Socket

Diagonal cutters

Isopropyl alcohol

Shop towel

String

Masking tape

Gloves

Blanket

#2 Pencil

## INSTALLATION

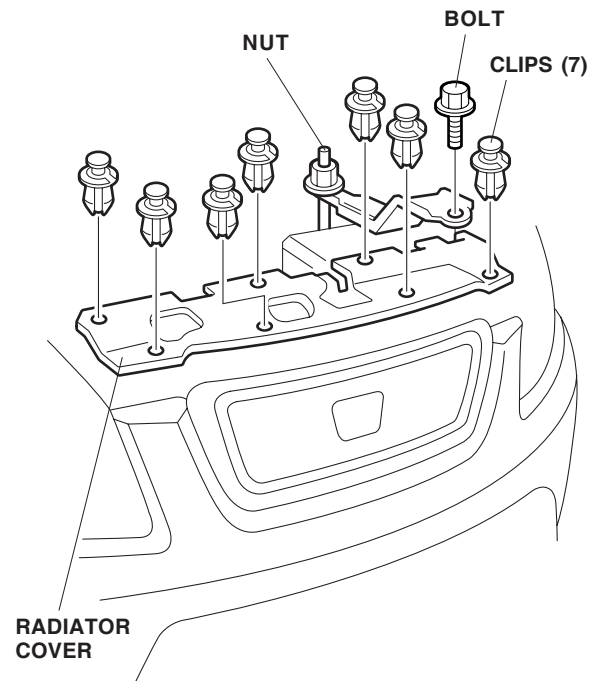
**Customer Information:** The information in this installation instruction is intended for use only by skilled technicians who have the proper tools, equipment, and training to correctly and safely add equipment to your vehicle. These procedures should not be attempted by "do-it-yourselfers."

### NOTE:

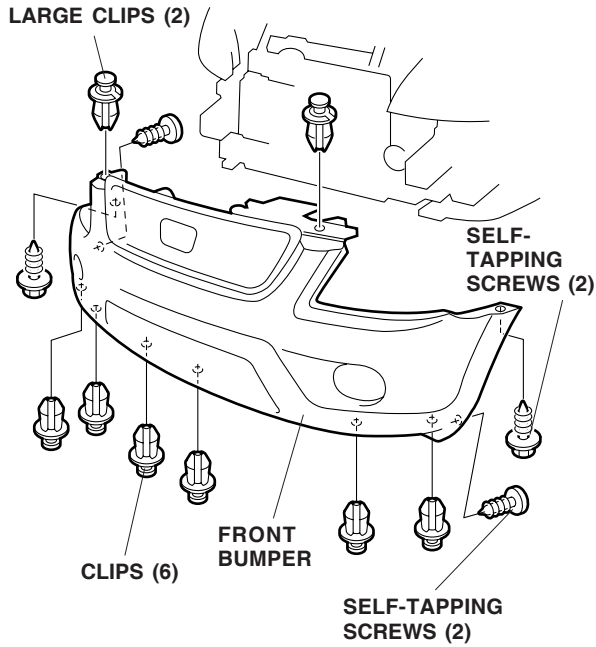
- Be careful not to damage the body paint finish when removing or installing the emblems.
- This emblem kit should be installed only if the ambient air temperature is 60°F (15°C) or above.
- To allow the adhesive to "cure," do not wash the car for 24 hours.

### Installing the Front Gold "H" Emblem

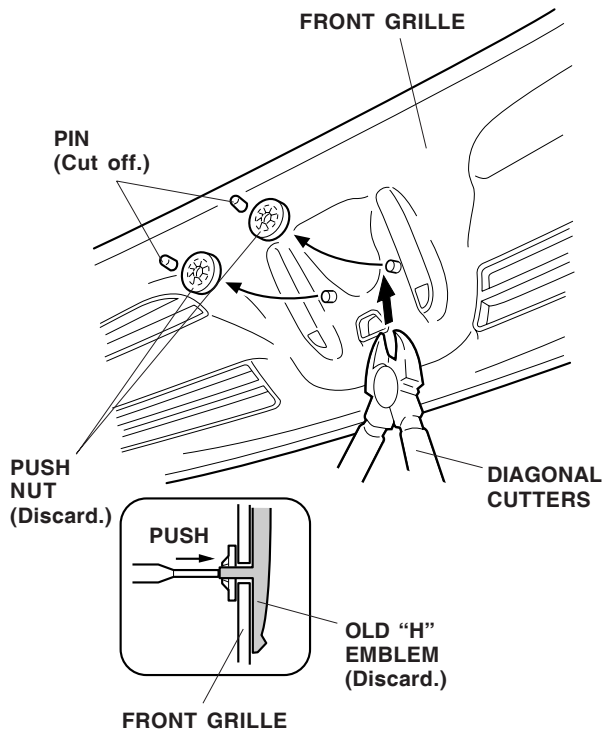
1. Open the hood. Loosen the battery bracket nut. Remove the seven clips and one bolt fastening the radiator cover, then remove the cover.



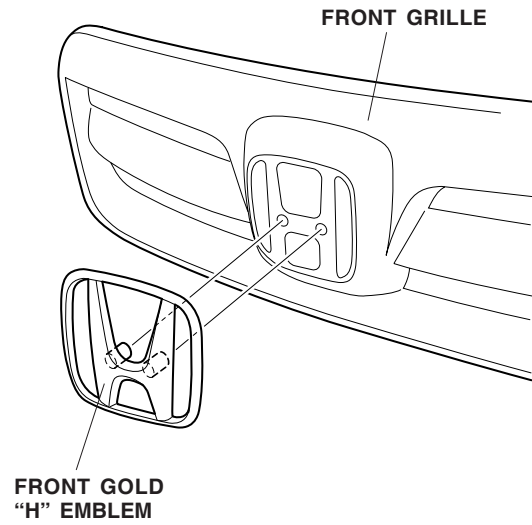
- Remove the eight clips and four self-tapping screws that fasten the front bumper. With an assistant holding the bumper, remove the front bumper.



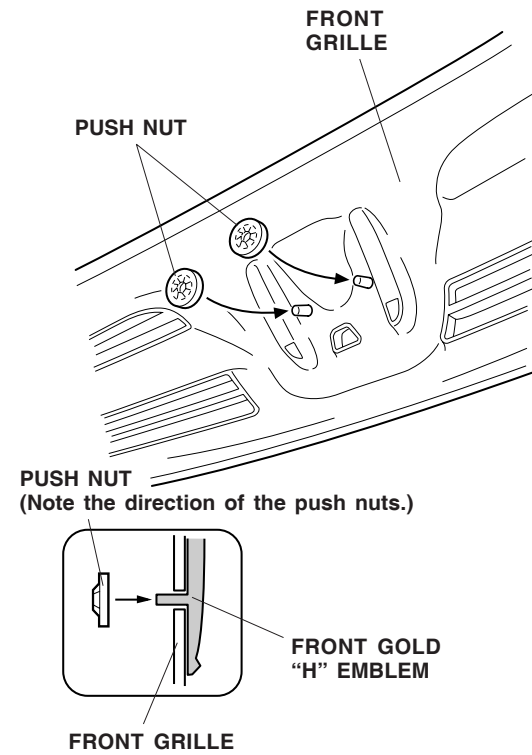
- Inside the front grille, cut off the two pins, and remove the push nuts and the old "H" emblem.



- Position the gold "H" emblem on the grille by aligning its pins with the holes in the grille.



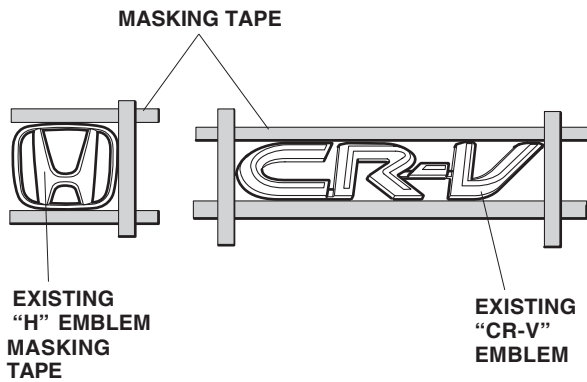
- Slide the push nuts onto the pins. Note the direction of the push nuts.



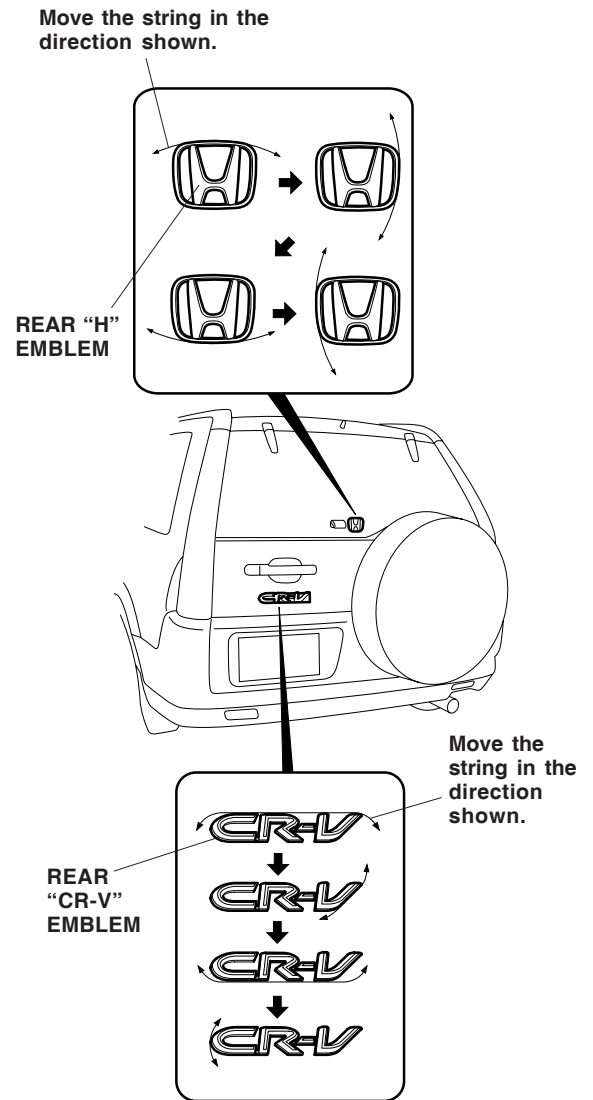
- Reinstall the front bumper. Check that the clips are installed securely.

## Installing the Rear Gold "H" and "CR-V" Emblems

7. Mark the locations of the existing "H" and "CR-V" emblems by applying masking tape along the edges as shown.

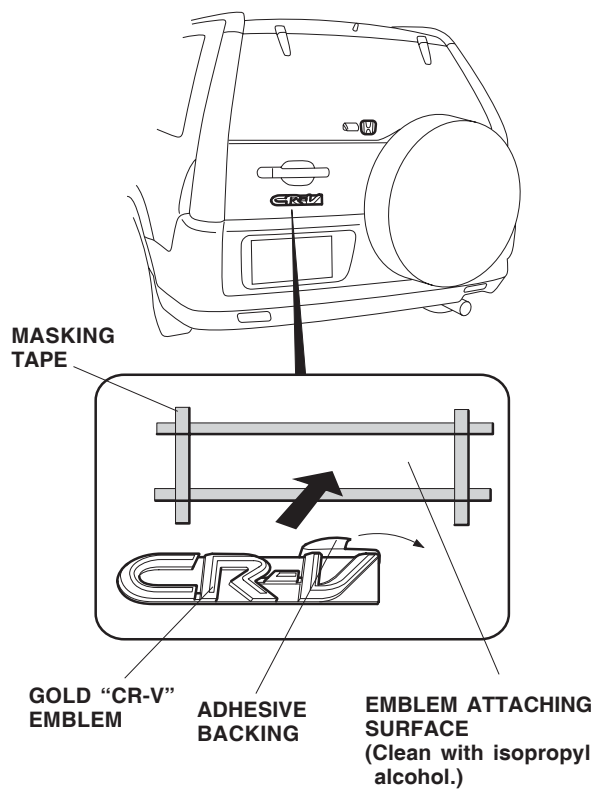


8. Remove the "H" and "CR-V" emblems from the body by moving the string back and forth, working it between the emblems and body.



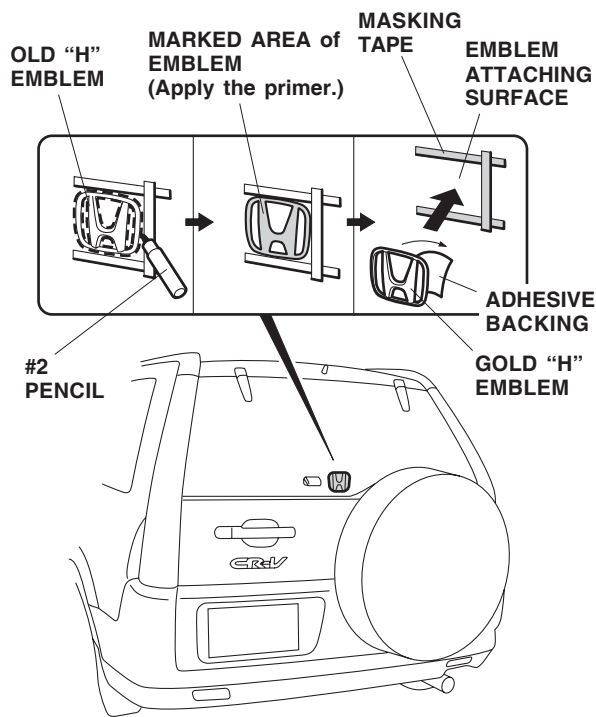
9. Remove the emblems.

- Using isopropyl alcohol on a shop towel, clean the areas where the gold "CR-V" emblem will be attached.
- Remove the adhesive backing from the "CR-V" emblem, and attach it to the body. After attaching, hold the emblem firmly against the body with the palm of your hand for 30 seconds.



- Remove the masking tape.

- Temporarily place the old "H" emblem in position on the rear window. Using a #2 pencil, draw an outline of the "H" emblem on the glass. Remove the emblem.
- While wearing gloves, apply the primer to the rear glass only around the marked area of the "H" emblem. Be careful not to apply the primer in non-covered areas of the glass.
- Remove the adhesive backing from the gold "H" emblem, and attach it to the rear glass over the primed area. Hold the "H" emblem against the glass for 30 seconds with the palm of your hand.



- Wipe up any excess primer between the emblem using isopropyl alcohol.
- Remove the masking tape.