



INSTALLATION INSTRUCTIONS

Accessory

DOOR VISORS
P/N 08R04-S9A-101

Application

2006 CR-V

Publications No.

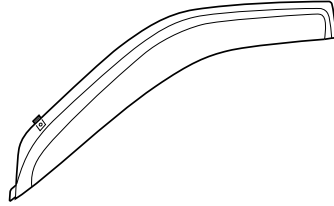
All 30566

Issue Date

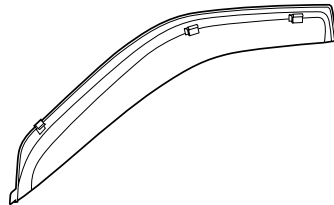
SEP 2005

PARTS LIST

Left front door visor



Right front door visor



Left rear door visor



Right rear door visor



TOOLS REQUIRED

Isopropyl alcohol

Shop towel

Masking tape

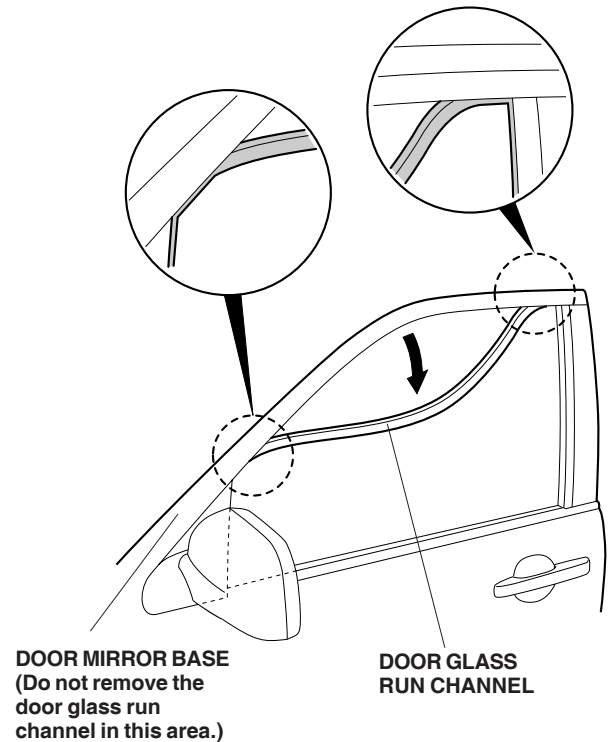
INSTALLATION

NOTE:

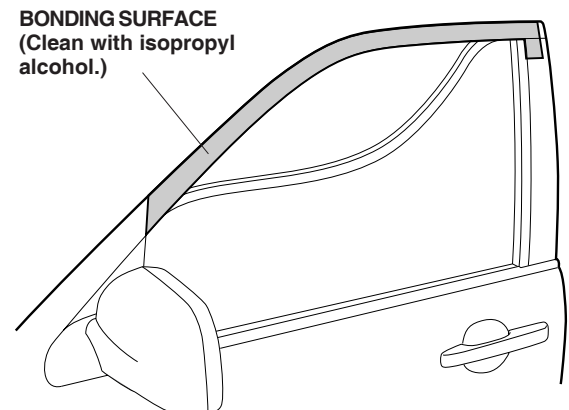
- These instructions show the left door visors being installed. The same procedure applies to installing of the right door visors.
- Be careful not to damage the paint finish or glass run channels when installing the door visors.
- Handle the door visors with care. They are not designed to absorb shock or impact.
- This door visor kit should be installed only if the ambient air temperature is 60°F (15°C) or above.
- To allow the adhesive to cure, do not wash the vehicle for 24 hours.

Installing the Front Door Visor

1. Lower the front door glass completely. Remove the door glass run channel from the door sash in the area shown. Do not remove the glass run channel from the door mirror base or the rear end of the door.



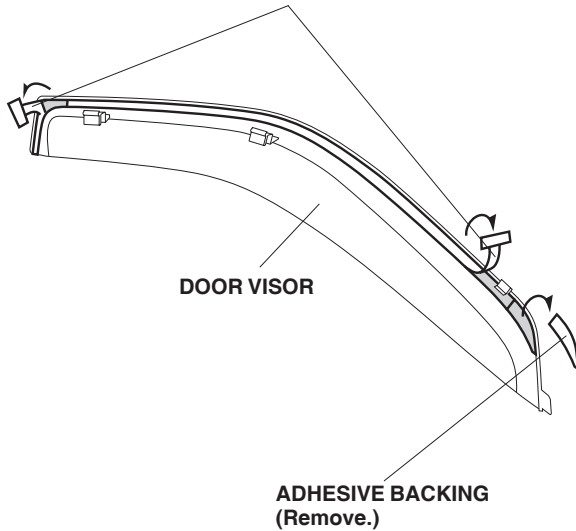
2. Using isopropyl alcohol on a shop towel, clean the shaded area of the door sash.



- Remove a small piece of adhesive backing from the front of the door visor.

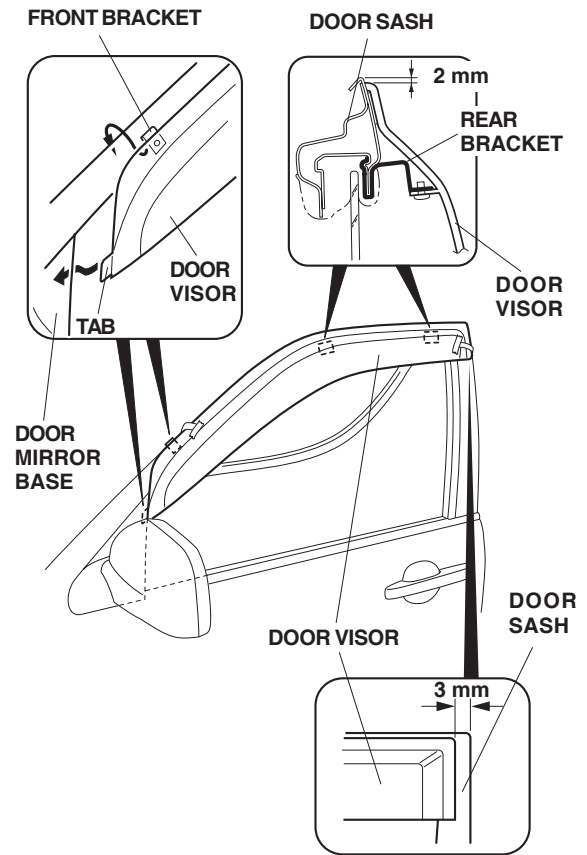
ADHESIVE BACKING

(To lift the adhesive backing, attach a strip of masking tape to the edge of the adhesive backing. Remove 2 to 3 inches of adhesive backing, then tape each end to the front of the door visor.)



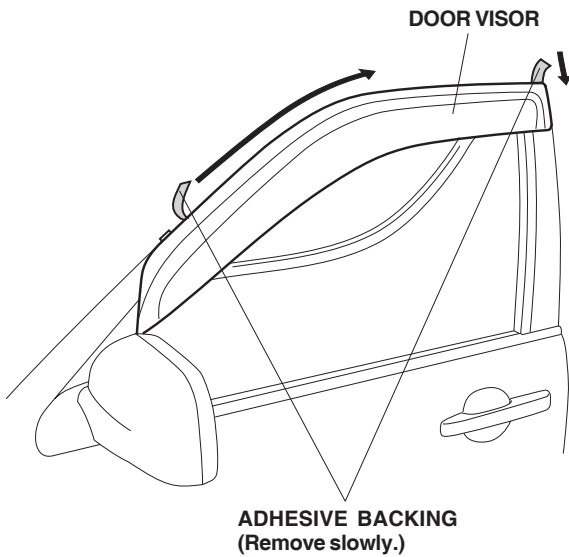
- Attach a strip of masking tape to the ends of the two remaining adhesive backing pieces, and remove 2 to 3 inches of adhesive backing. Fold back the ends, then tape the ends to the front of the door visor. Note the removal direction of the adhesive backing.

- Attach the front bracket of the door visor to the door sash, and push the two rear brackets on the door sash. Insert the front tab under the door mirror base.



- Adjust the location of the door visor so that the clearance between the door visor and door sash is 2 mm at the top, and 3 mm at the back. There should be no clearance between the front tab and the visor.

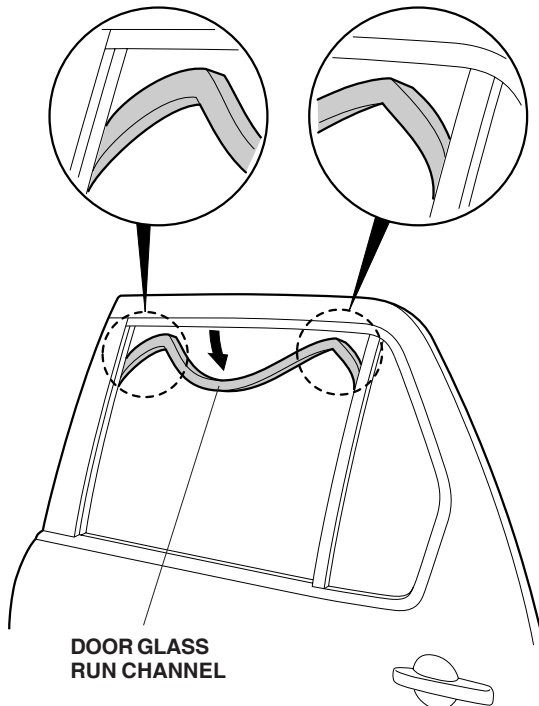
7. While holding light pressure on the door visor, carefully remove the adhesive backing in the directions shown. Hold the door visor firmly against the door with the palm of your hand for 30 seconds.



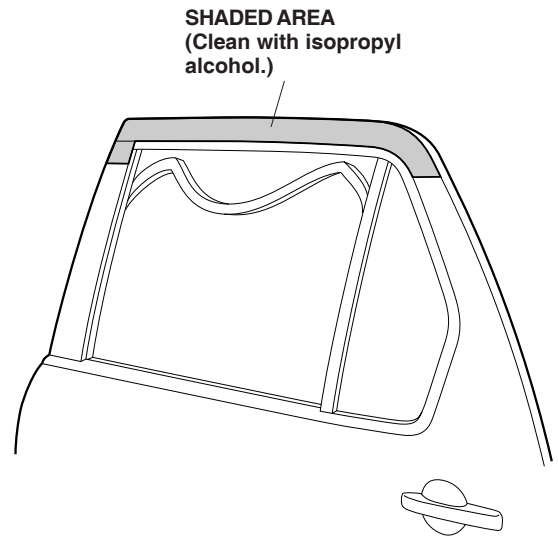
8. Reinstall the door glass run channel.

Installing the Rear Door Visor

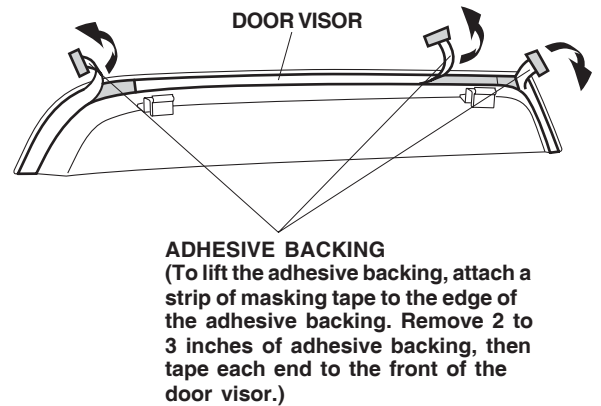
9. Lower the rear door glass completely. Remove the door glass run channel from the door sash in the areas shown.



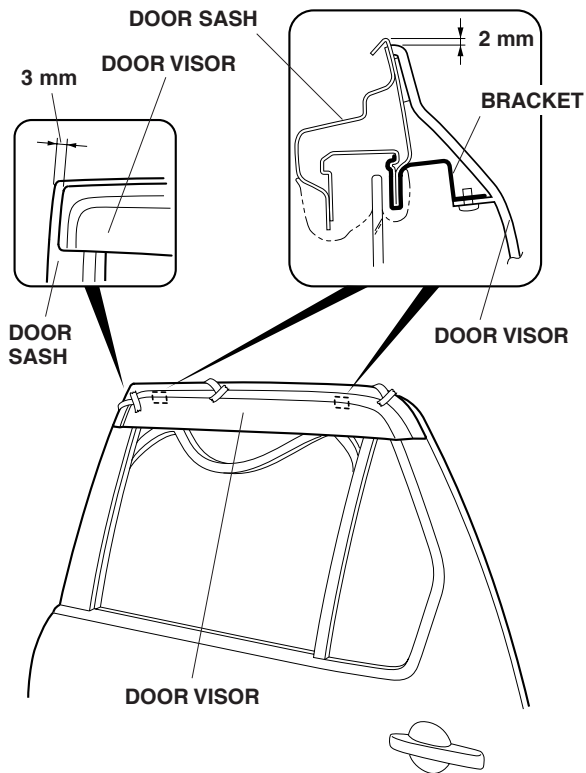
10. Using isopropyl alcohol on a shop towel, clean the shaded area of the door sash.



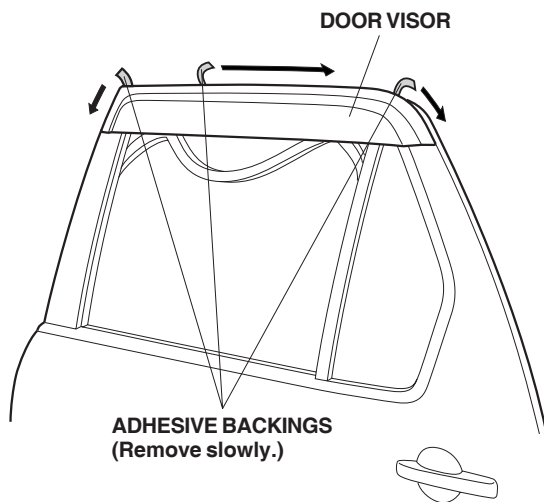
11. Attach a strip of the masking tape to the ends of the three adhesive backing pieces, and remove 2 to 3 inches of adhesive backing. Fold back the ends, then tape the ends to the front of the door visor. Fold the ends back then tape them to the door visor. Note the removal direction of the adhesive backing.



12. Install the door visor by inserting the two brackets into the door sash.



13. Adjust the location of the door visor so that the clearance between the door visor and door sash is 3 mm at the front end and 2 mm at the top.
14. While holding light pressure on the door visor, carefully remove the adhesive backing in the directions shown. Hold the door visor firmly against the door with the palm of your hand for 30 seconds.



15. Reinstall the door glass run channel.
16. Repeat steps 1 through 15 to install the door visors on the right side of the vehicle.
17. Raise and lower all the windows several times to seat the glass run channels.

USE AND CARE

- To clean the door visor, wipe it with a soft cloth dampened with clean water.
- To remove dust and dirt, clean with a soft cloth dampened with a mild detergent and water solution. Never use organic solvents such as thinner, benzene, alcohol, etc., or cleaners containing abrasive compounds.