

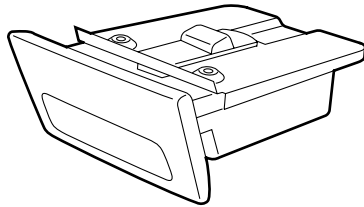


INSTALLATION INSTRUCTIONS

Accessory	Application	Publications No.
FRONT ASHTRAY	2006 CR-V	All 30568
		Issue Date
		SEP 2005

PARTS LIST

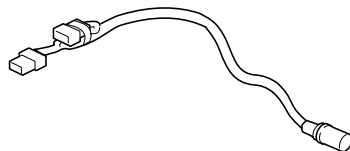
Front ashtray



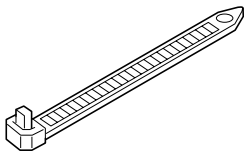
Self-tapping screw



Illumination harness



4 Wire ties



TOOLS REQUIRED

Phillips screwdriver

Stubby Phillips screwdriver

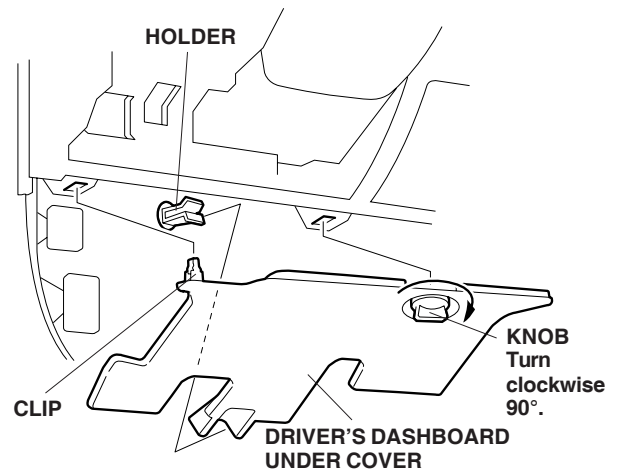
Small flat-tip screwdriver

INSTALLATION

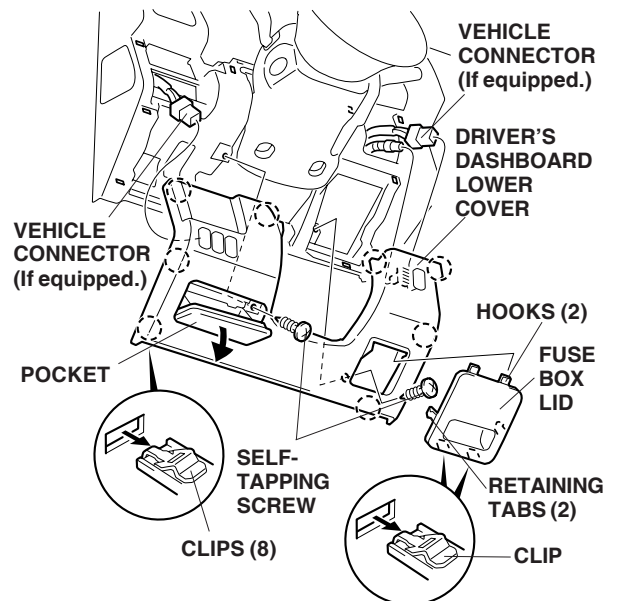
Customer Information: The information in this installation instruction is intended for use only by skilled technicians who have the proper tools, equipment, and training to correctly and safely add equipment to your vehicle. These procedures should not be attempted by "do-it-yourselfers."

1. Make sure you have the anti-theft code for the radio, then write down the radio station presets.
2. Disconnect the negative cable from the battery.

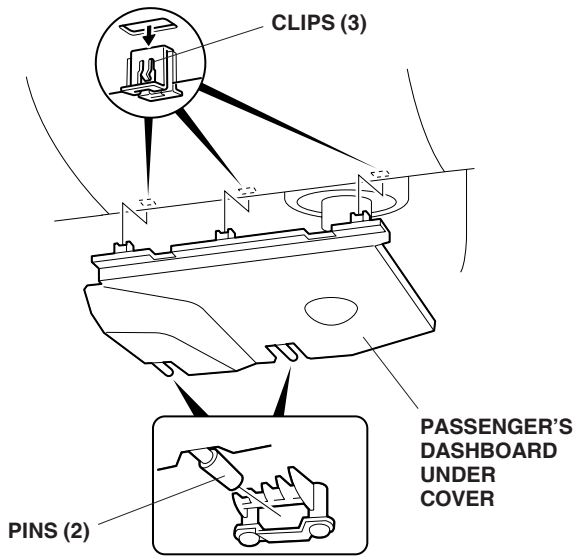
3. Remove the driver's dashboard under cover by turning the knob clockwise, and releasing one clip.



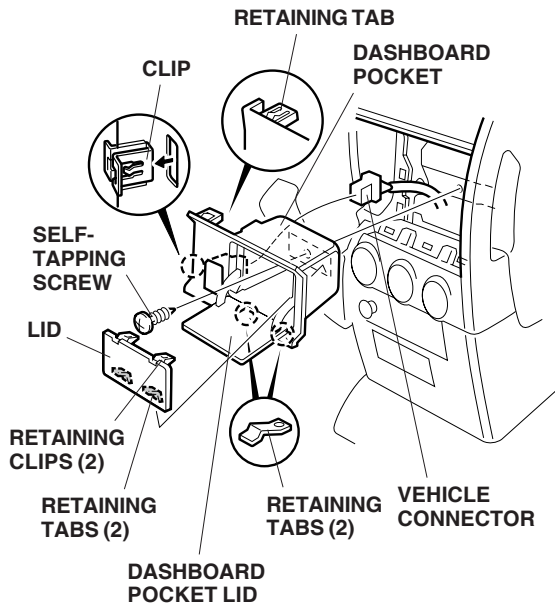
4. Remove the driver's dashboard lower cover:
 - Remove the fuse box lid, and open the pocket.
 - Remove the two self-tapping screws.
 - Gently pull out on the driver's dashboard lower cover to release the eight clips. If equipped, unplug the vehicle connector then remove the lower cover.



- Remove the passenger's dashboard under cover (release the three clips and two pins).

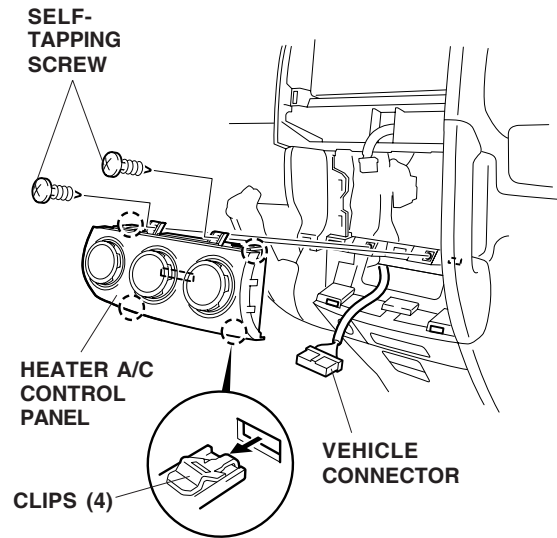


- Open the dashboard pocket lid. Remove the lid (two retaining clips, and two retaining tabs).

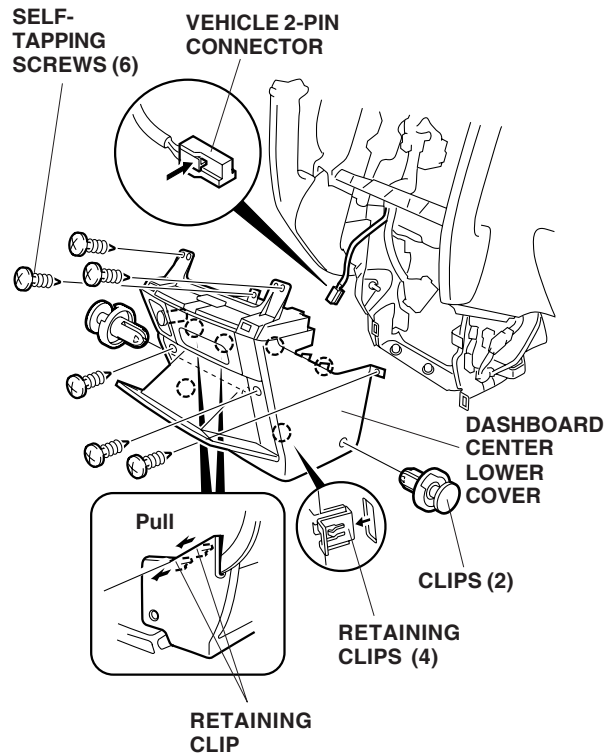


- Remove the dashboard pocket (one self-tapping screw, one clip, three retaining tabs then unplug the vehicle connector).

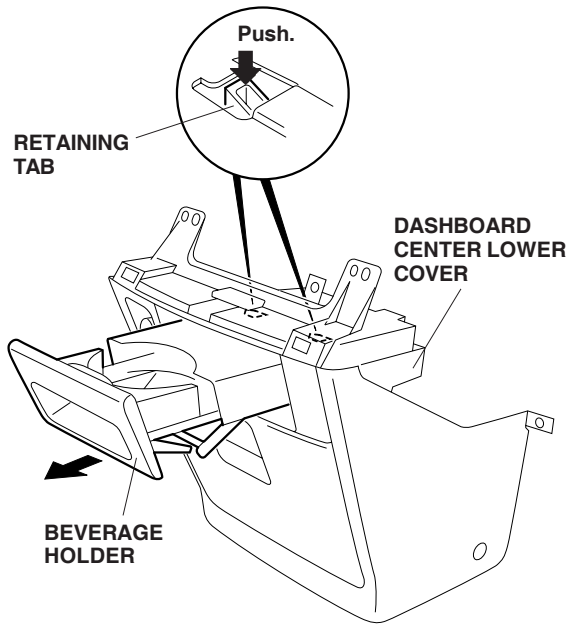
- Remove the heater A/C control panel (two self-tapping screws, then unplug the connector).



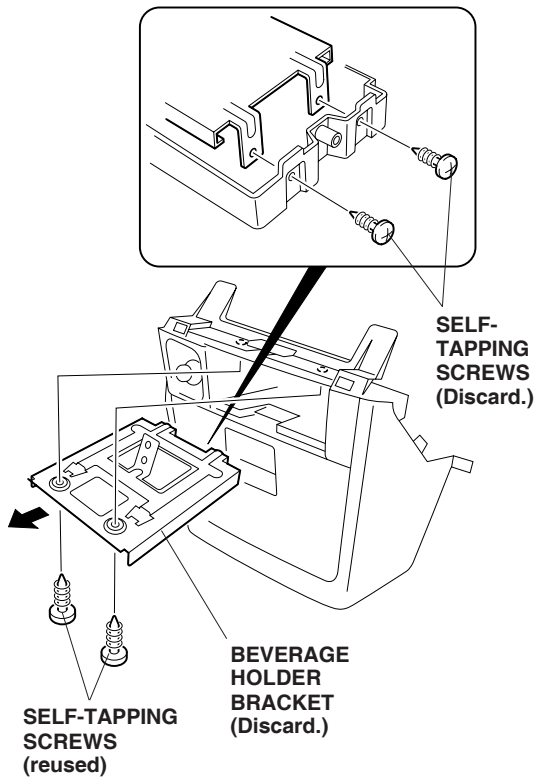
- On A/T vehicles only, remove the dashboard center lower cover (two clips, six retaining clips then unplug the 2-pin connector).



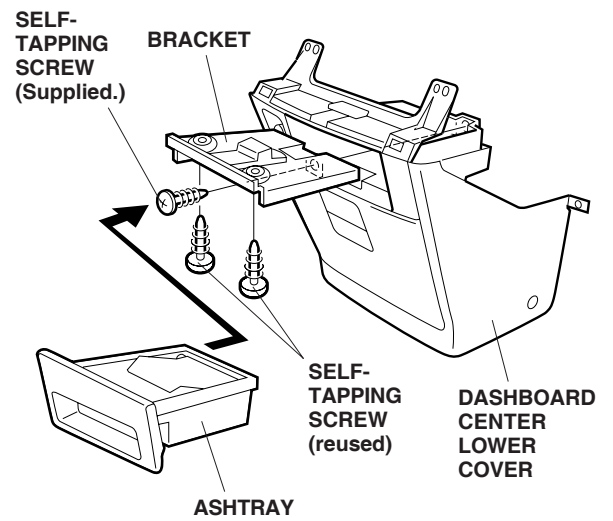
- Remove the beverage holder by pulling it out toward you while pushing down on its two retaining tabs.



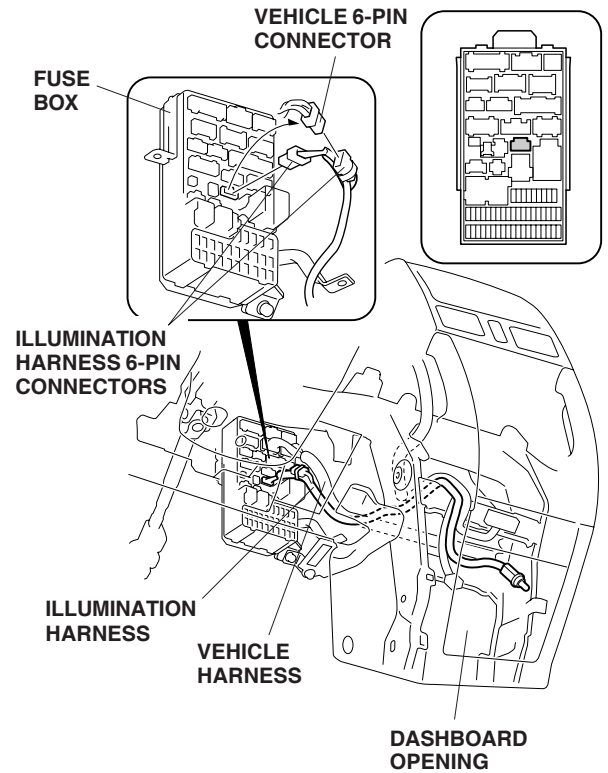
- Remove the beverage holder bracket (four self-tapping screws).



- Remove the bracket from the ashtray, then install the bracket on the dashboard center lower cover using the two self-tapping screws you just removed and one self-tapping screw supplied.

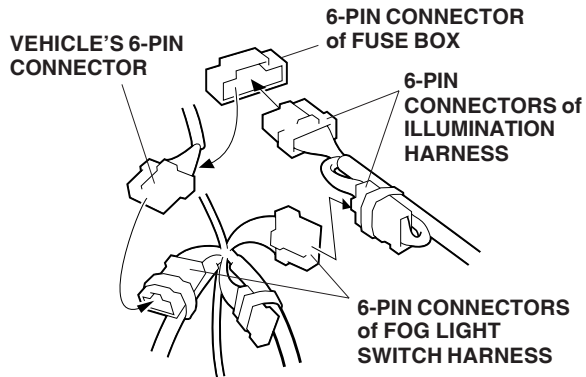


- Slide the ashtray into position in the cover.
- Unplug the vehicle 6-pin connector from the fuse box, and connect the 6-pin connectors of the illumination harness in between.

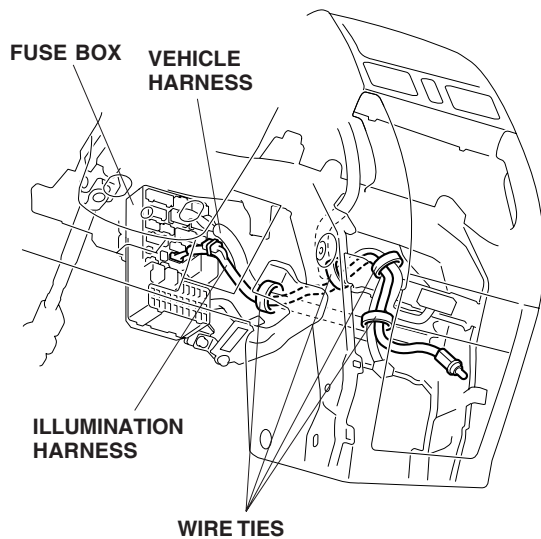


- Route the illumination harness to the dashboard opening along the vehicle harness.

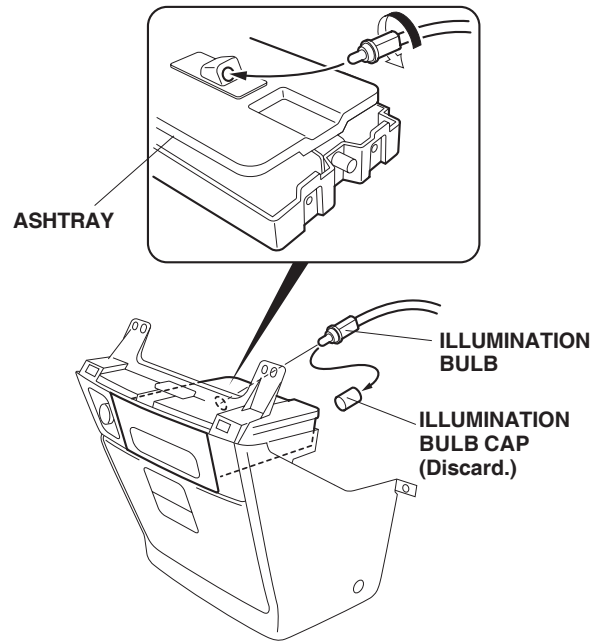
NOTE: If you are also installing the fog lights, unplug the vehicle 6-pin connector from the fuse box, then plug it into the 6-pin connector black-taped to the fog light switch harness. Plug the other 6-pin connector of the fog light switch harness into the 6-pin connector black-taped to the illumination harness. Finally, plug in the remaining 6-pin connector of the illumination harness into the fuse box.



- Secure the illumination harness to the vehicle harness with four wire ties.



- Remove the illumination bulb cap from the illumination bulb, then insert the illumination bulb into the ashtray, and secure the bulb by turning it in the direction shown.



- Reinstall the dashboard center lower cover.
 - Reinstall all removed parts.
 - Check that all wire harnesses are routed properly and all connectors are plugged in.
 - Reconnect the negative cable to the battery.
 - Enter the customer's radio anti-theft code, and reset the radio station presets.
 - Reset the clock.
- NOTE:** Whenever the battery is disconnected, the driver's AUTO function is disabled.
- Start the engine. Push down on the driver's window switch until the window is fully open.
 - Pull up on the driver's window switch to close the window completely, then hold the switch for at least two seconds.
 - Test the AUTO window function.