



INSTALLATION INSTRUCTIONS

Accessory
**CASSETTE PLAYER/
IN-DASH CD CHANGER
(LX)**

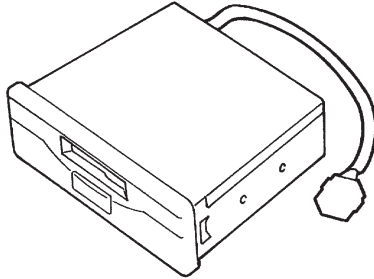
Application
2005 PILOT

Publications No.
All 28061
Issue Date
SEP 2004

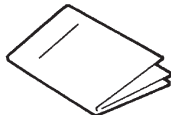
PARTS LIST

**Cassette Player (sold separately):
P/N 08A03-5B1-050**

Cassette player



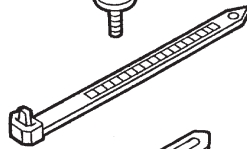
Owner's Manual



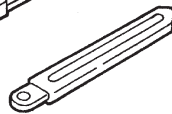
7 Washer-screws 5 x 8 mm
(2 not used)



Wire tie (not used)

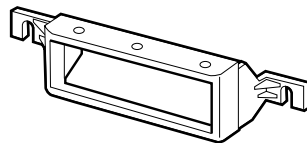


Harness clip



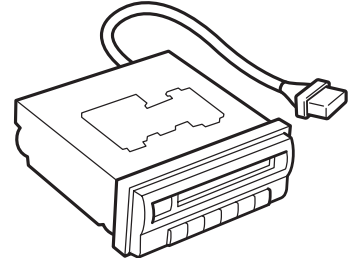
**DVD DIN Bezel Kit (sold separately):
P/N 08B23-S9V-100A**

DIN bezel

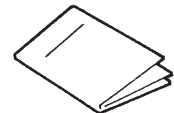


**In-Dash CD Changer (sold separately):
P/N 08A06-3B1-300**

In-Dash CD changer



Owner's Manual



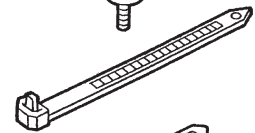
6 Washer-screws, 5 x 8 mm
(2 not used)



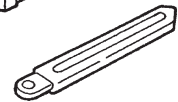
Washer-screw, 4 x 6 mm



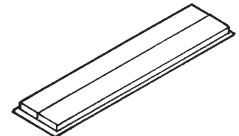
Wire tie (not used)



Harness clip



Adhesive strips
(1 not used)



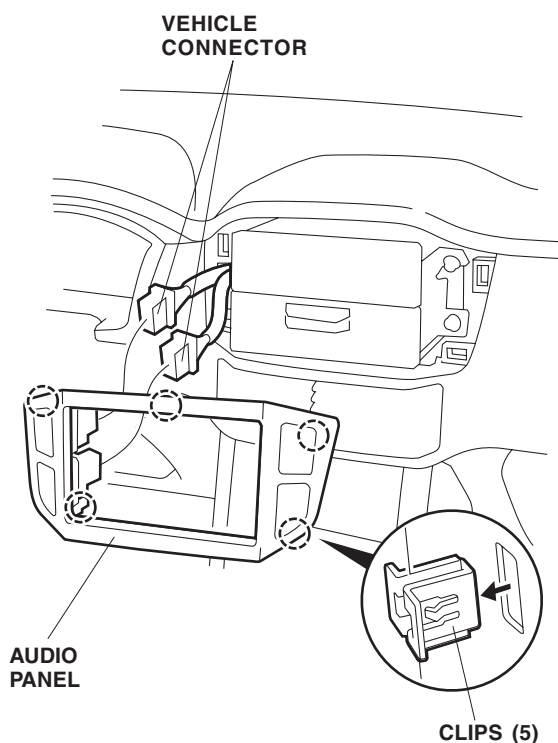
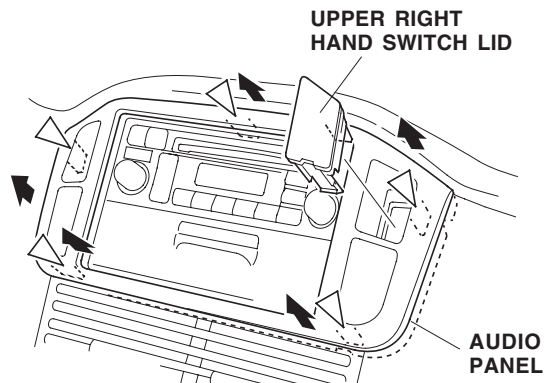
TOOLS AND SUPPLIES REQUIRED

- Phillips screwdriver
- Small flat-tip screwdriver
- Isopropyl alcohol
- Shop towel

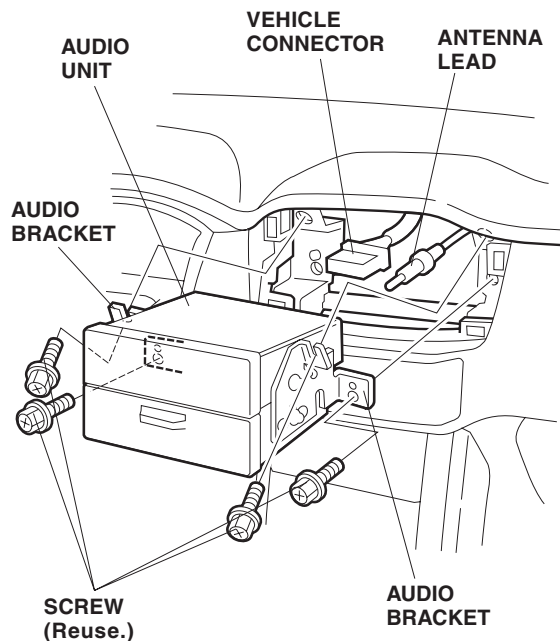
INSTALLATION

Customer Information: The information in this installation instruction is intended for use only by skilled technicians who have the proper tools, equipment, and training to correctly and safely add equipment to your vehicle. These procedures should not be attempted by “do-it-yourselfers.”

1. Make sure you have the anti-theft code for the radio, then write down the radio station presets.
2. Disconnect the negative cable from the battery.
3. Using a flat-tip screwdriver wrapped with a shop towel, gently pry out the upper right hand switch lid in the audio panel. Insert your fingers into the opening to release the five clips. Unplug the vehicle connectors, and remove the audio panel.



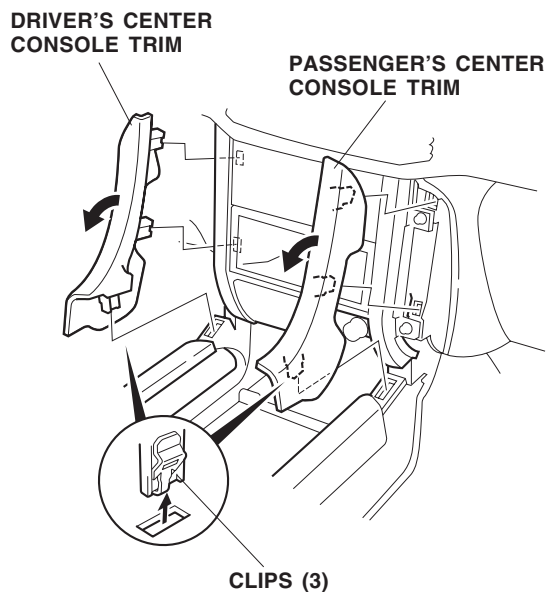
4. Remove the audio unit (four screws, pull the audio unit out toward you, and unplug the vehicle connector and antenna lead).



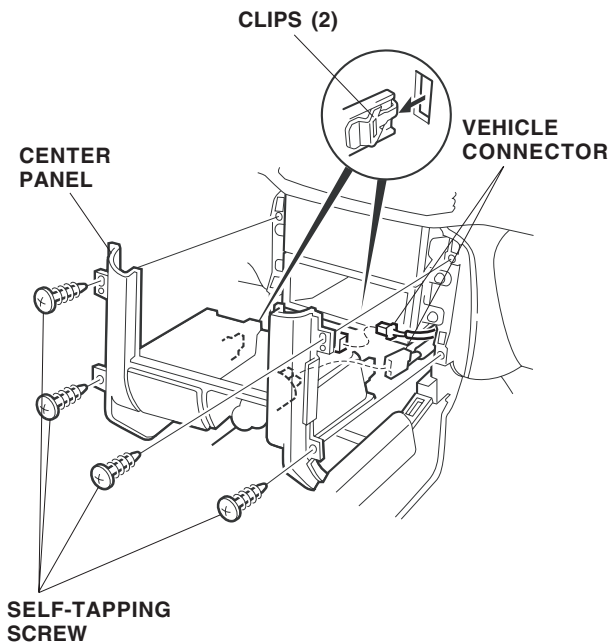
Installing the Cassette Player/In-Dash CD Changer

If you are installing **only** the cassette player or the in-dash CD changer, go to step 14. If you are installing the cassette player **and** the in-dash CD changer, continue with step 5.

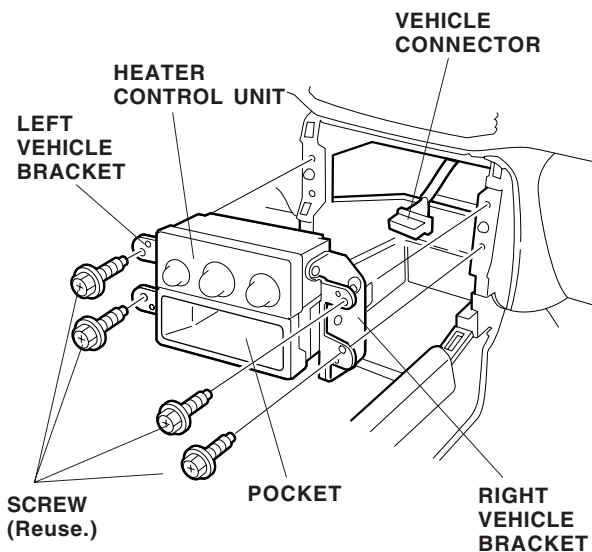
5. Remove the driver's and passenger's center console trim pieces (three clips each). Take care not to damage the clips.



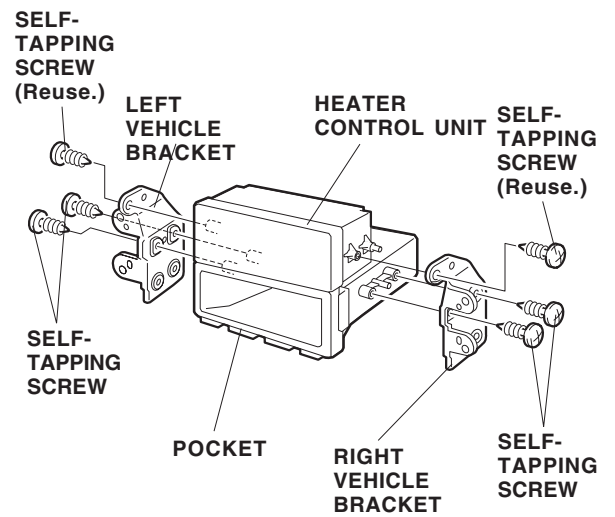
- Remove four self-tapping screws that fasten the center panel.



- Pull the center panel out toward you to release the two clips. Unplug the vehicle connectors from the accessory socket, and remove the center panel.
- Remove four screws that fasten the left and right vehicle brackets. Pull the heater control unit and pocket out toward you, and unplug the vehicle connector.

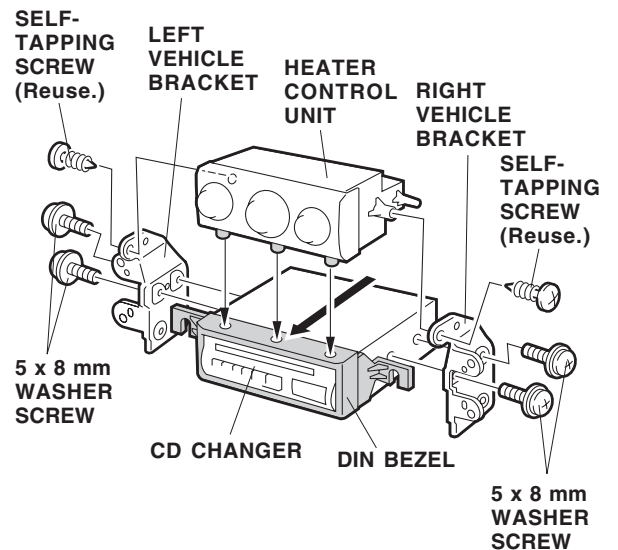


- Remove the left and right vehicle brackets (six self-tapping screws), separate the heater control unit from the pocket. Set the pocket aside; it will not be reused.

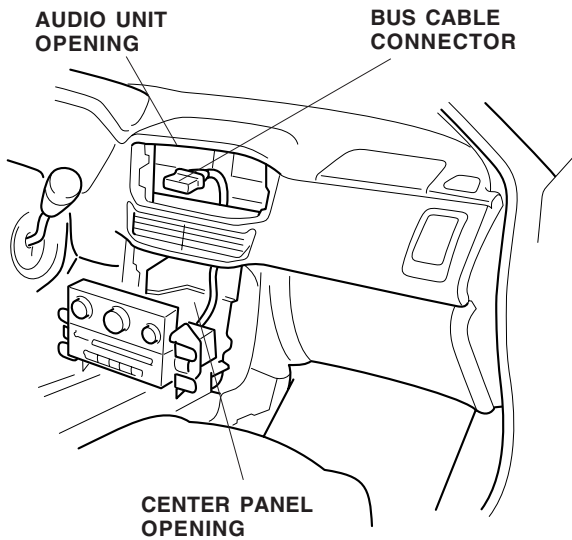


- Install the DIN bezel to the in-dash CD changer. Set the heater control unit on the CD changer, attach the left and right vehicle brackets using the two self-tapping screws removed in step 9 and four 5 x 8 mm washer-screws included in the in-dash CD changer kit.

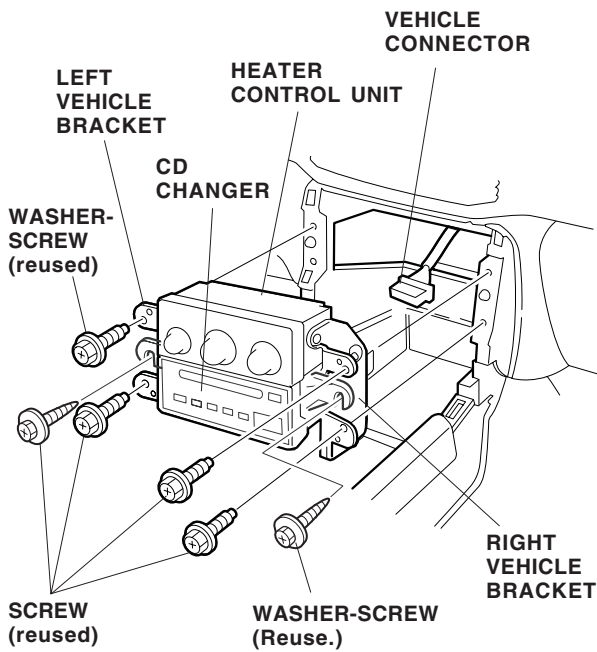
NOTE: When installing the cassette player and the in-dash CD changer, the changer is installed in the center panel opening, and the cassette player is installed in the audio unit opening.



11. Route the CD changer BUS cable connector from the center panel opening to the audio unit opening.

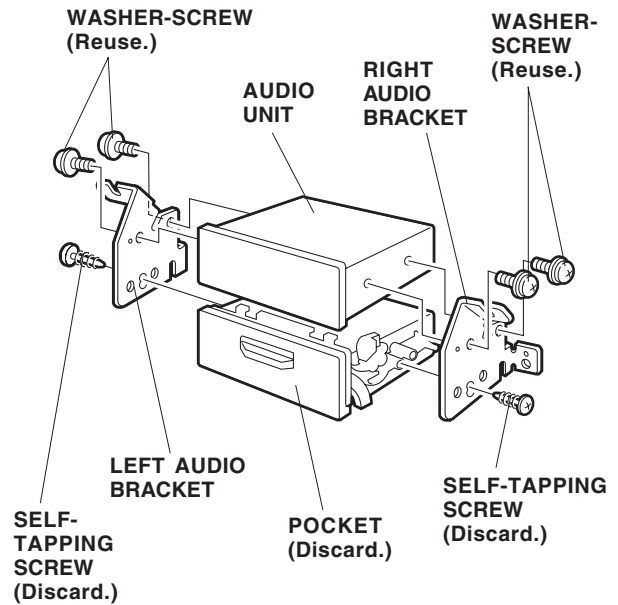


12. Remove the two washer-screws from the dashboard at the sides of the center panel opening.



13. Plug the vehicle connector into the rear of the heater control unit, then slide the heater control unit and the CD changer into the center panel opening. Reinstall the two washer-screws through the DIN bezel, and reinstall the four screws removed in step 8.

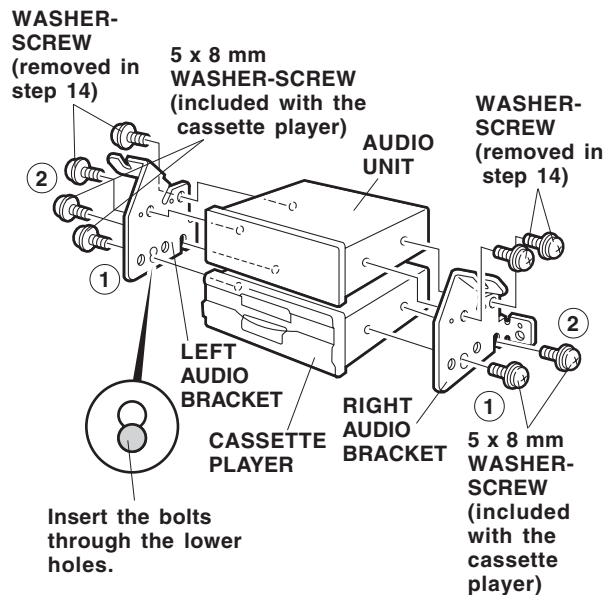
14. Remove the left and right audio brackets (two washer-screws and self-tapping screw for each bracket). Separate the audio unit and pocket. Discard the pocket.



15. Install the cassette player/in-dash CD changer.

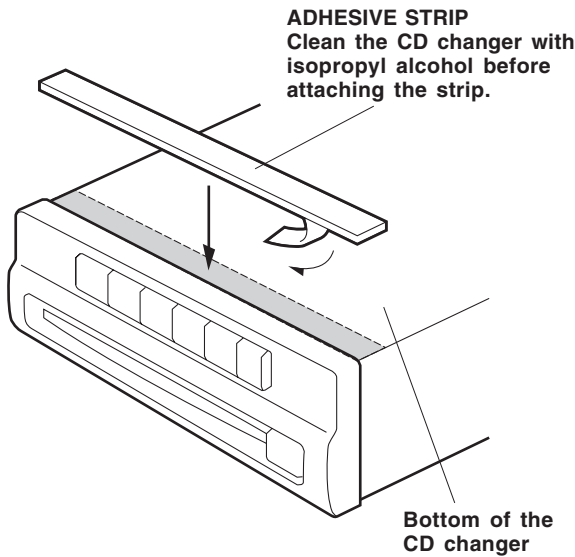
With Cassette Player:

- Set the audio unit on the cassette player, and attach the left and right audio brackets to the audio unit with the four washer-screws removed in step 14.
- Attach the left and right audio bracket to the cassette player with the four 5 x 8 mm washer-screws included in the cassette player kit. Install the screws in the order shown (1 and 2).

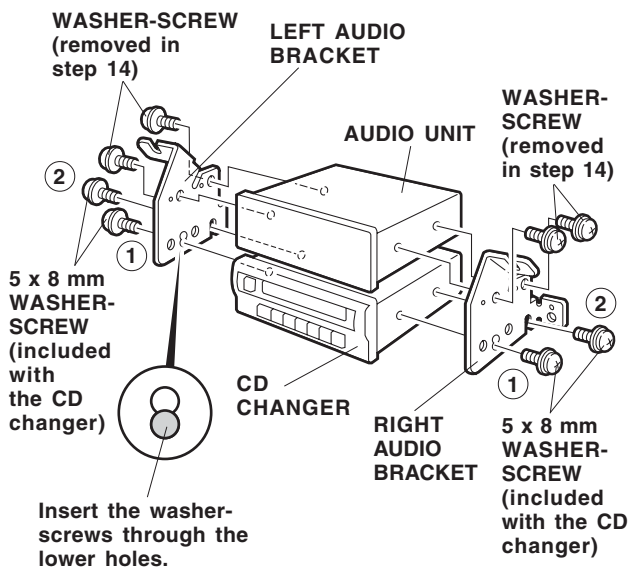


With In-Dash CD Changer:

- Attach one double-sided adhesive strip to the bottom of the CD changer.

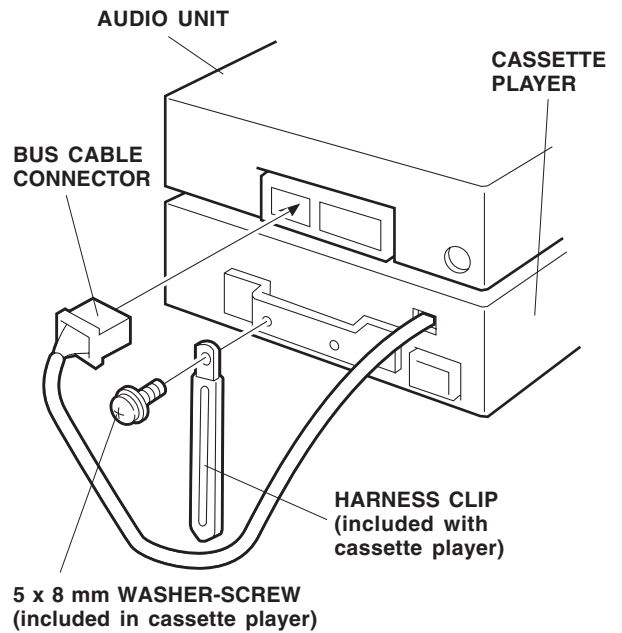


- Set the audio unit on the CD changer, and attach the left and right audio brackets to the audio unit with the four washer-screws removed in step 14.
- Attach the left and right audio brackets to the CD changer with the four 5 x 8 mm washer-screws included in the in-dash CD changer kit to the in-dash CD changer kit. Install in the order shown (1) and (2).

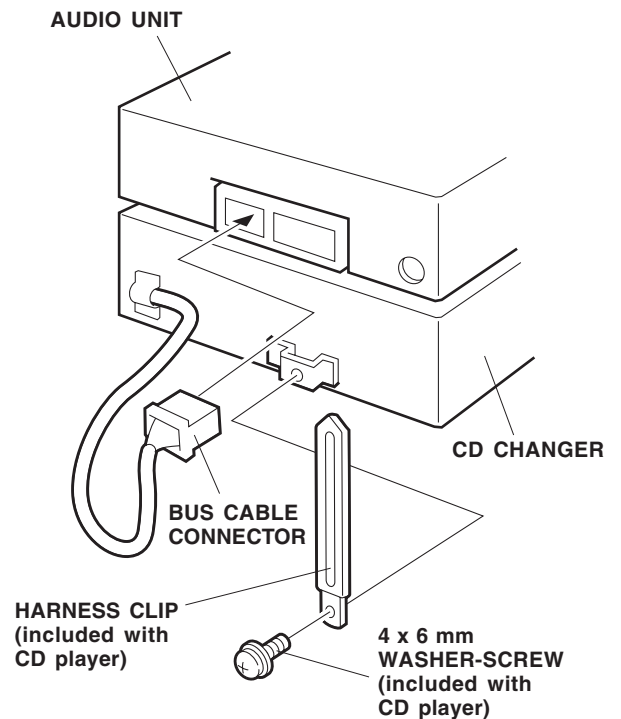


16. Attach the harness clip to the back of the player or changer. Plug the BUS cable connector into the audio unit.

With Cassette Player:

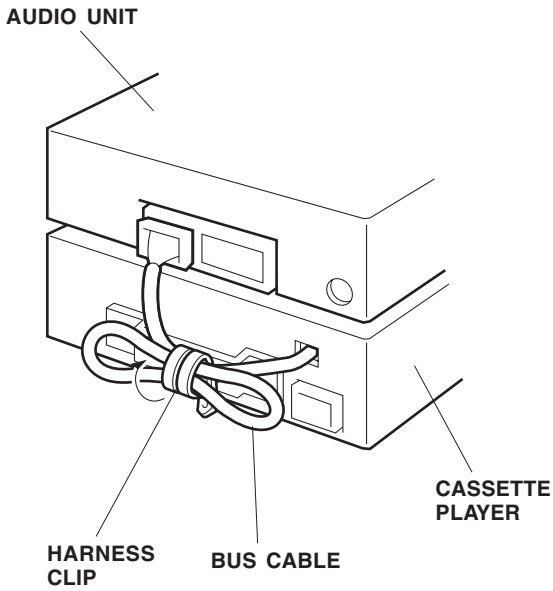


With In-Dash CD Changer:

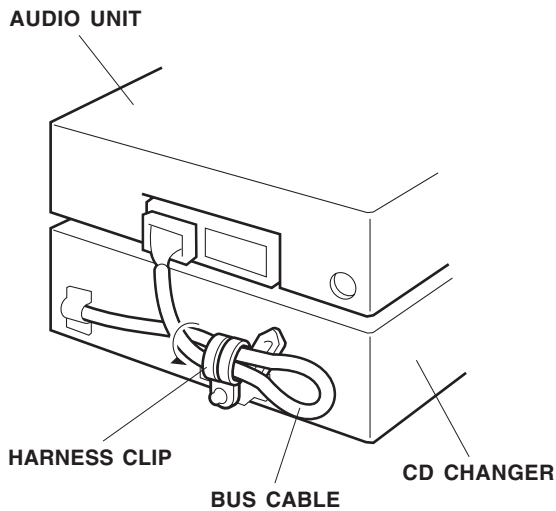


17. Bundle up the excess BUS cable and secure it to the player or changer with the harness clip.

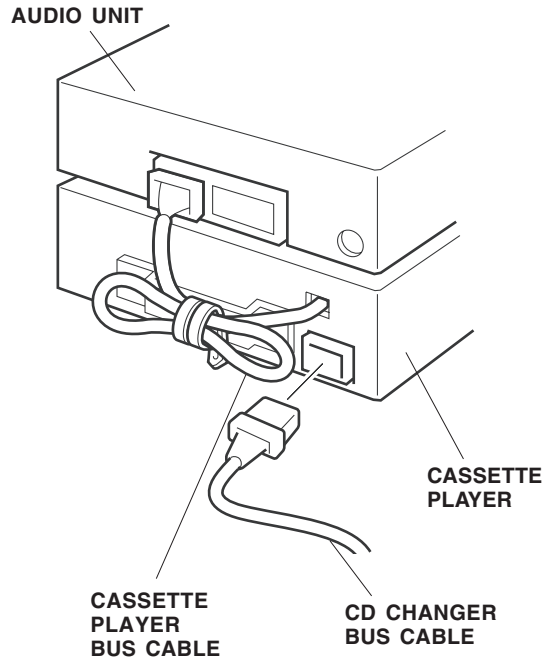
With Cassette Player:



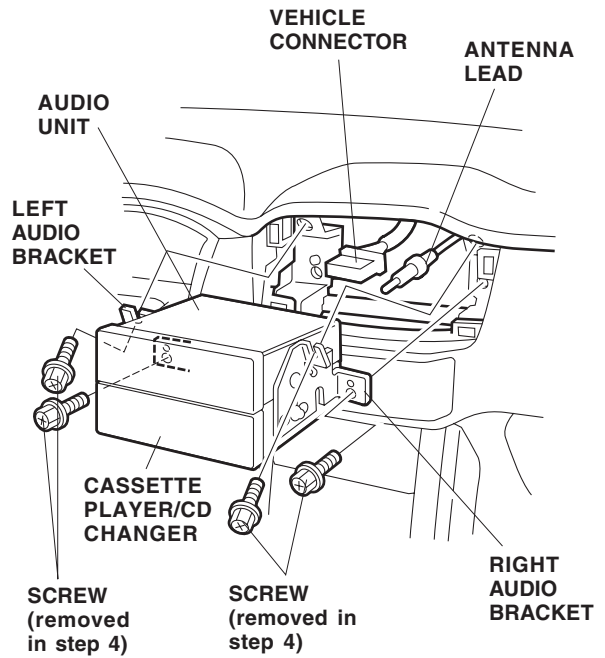
With In-Dash CD Changer:



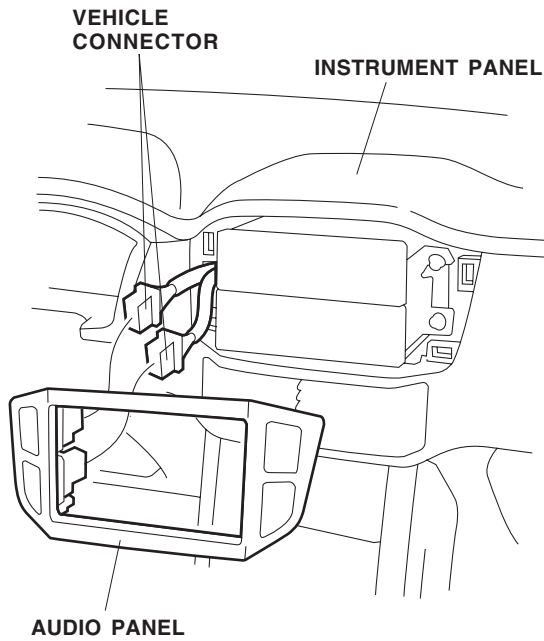
18. If you are installing the cassette player **and** the in-dash CD changer, plug the changer BUS cable connector from step 11 into the back of the cassette player.



19. Plug the vehicle connector and the antenna lead into the back of the audio unit, then reinstall the audio unit using the four screws removed in step 4.



20. Plug in the vehicle connectors, and reinstall the audio panel.



21. Reinstall all removed parts.
22. Reconnect the negative cable to the battery.
23. Check the operation of the cassette player and in-dash CD changer according to the Owner's Manuals provided.
24. Put the cassette player and in-dash CD changer owner's manuals in the glove box.
25. Reset the clock and radio station presets.

NOTE: Whenever the battery is disconnected, the driver's window AUTO function is disabled.

26. Start the engine. Push down on the driver's window switch until the window is fully open.
27. Pull up on the driver's window switch to close the window completely, then hold the switch for 2 seconds or more.
28. Test the AUTO window function.
29. Do the PCM idle learn procedure.
 - Make sure all electrical items are turned off.
 - Start the engine, and let it warm up to its normal operating temperature (the cooling fans cycle twice).
 - Let the engine idle (throttle closed and all electrical items off) for about 10 minutes.