

**INSTALLATION  
INSTRUCTIONS**

Accessory

**CARGO NET  
P/N 08L96-S0X-100H**

Application

**2004 ODYSSEY**

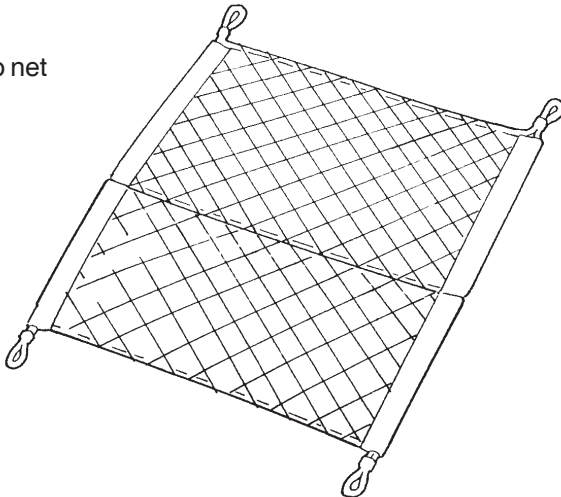
Publications No.

**A11 26003**

Issue Date

**AUG 2003****PARTS LIST**

Cargo net



2 Hooks A



2 Hooks B

2 Self-tapping  
screws

2 Studs

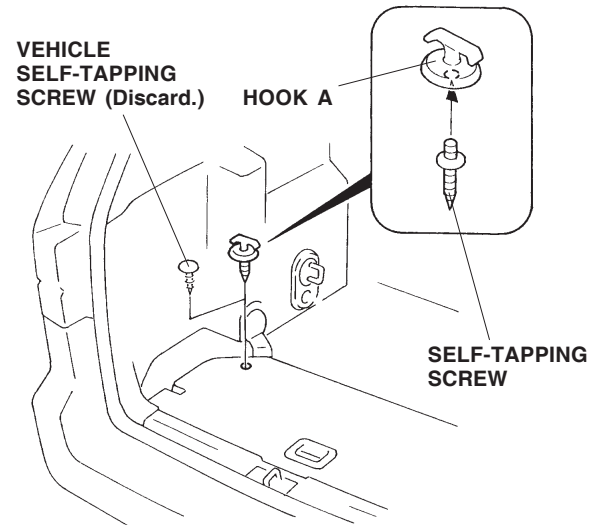
**TOOL REQUIRED**

Phillips screwdriver

**INSTALLATION**

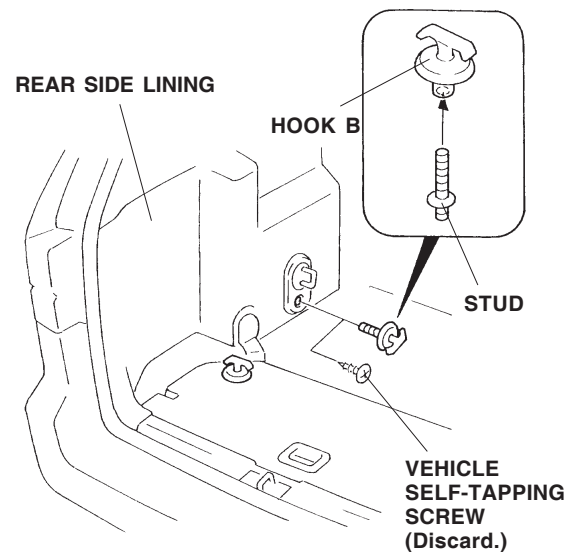
1. Open the tailgate.

2. Remove the self-tapping screw in the floor.



3. Thread one self-tapping screw from the kit into hook A, and install hook A into the hole where the self-tapping screw was removed in step 2.

4. Remove the self-tapping screw that secures the vehicle hook.

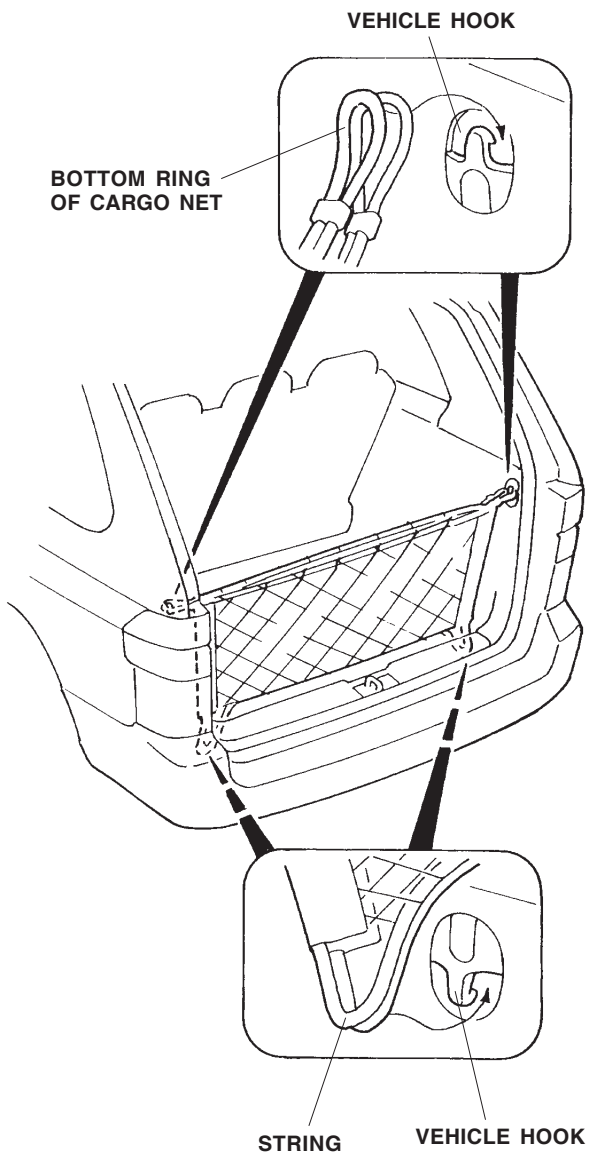


5. Thread one stud into hook B, then install hook B into the hole where the self-tapping screw was removed in step 4.

6. Repeat steps 2 through 5 to install hooks A and B on the opposite side.

## Attaching the Cargo Net

### When Vehicle Hooks Are Used:



### When Hooks A and B Are Used:

